



**Bottom hung and
top hung windows**



D.15.SWING OPENERS

Contents

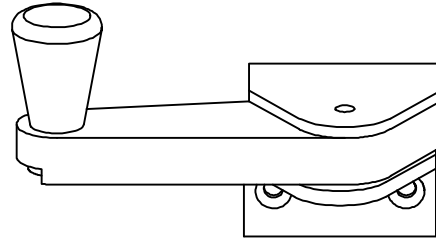
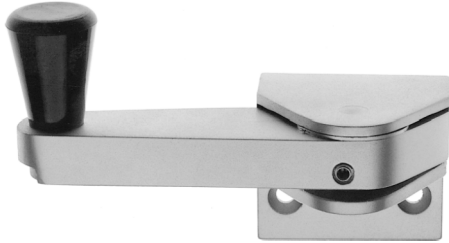
	page
Swing openers	
n° 740-..	
n° 741-..	D.15.2
Application examples	D.15.3

Sobinco
HARDWARE TECHNOLOGY

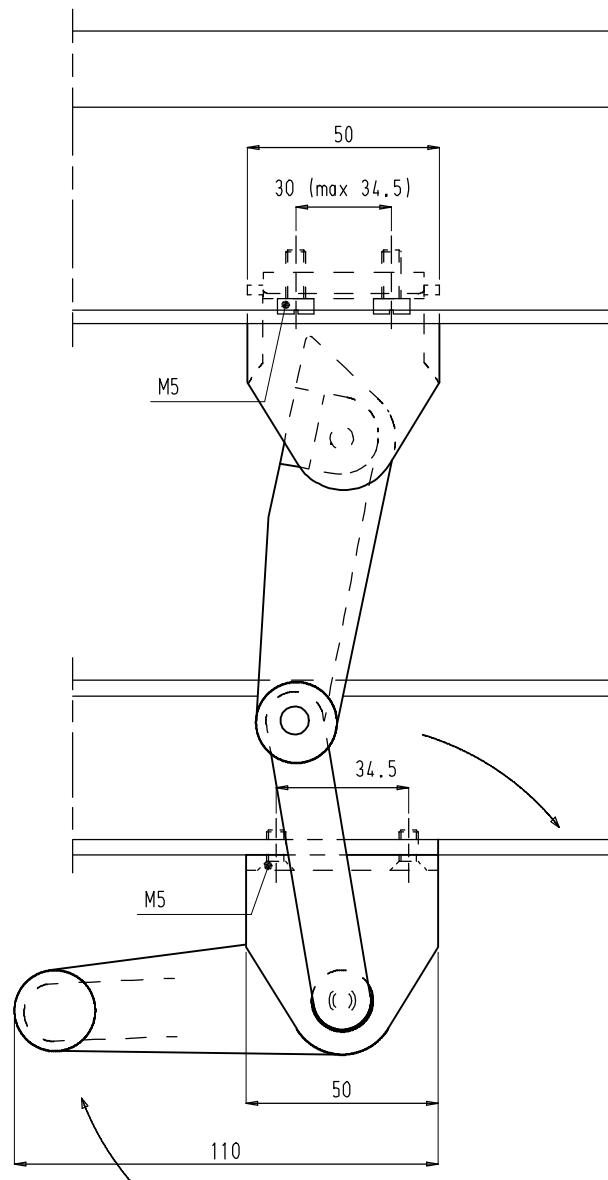
Waregemstraat 5 B-9870 Zulte Belgium
Tel: 32-9-388 88 81 Fax: 32-9-388 88 21
E-mail: commercial@sobinco.com
<http://www.sobinco.com>



I Swing openers n° 740-.. and n° 741-..



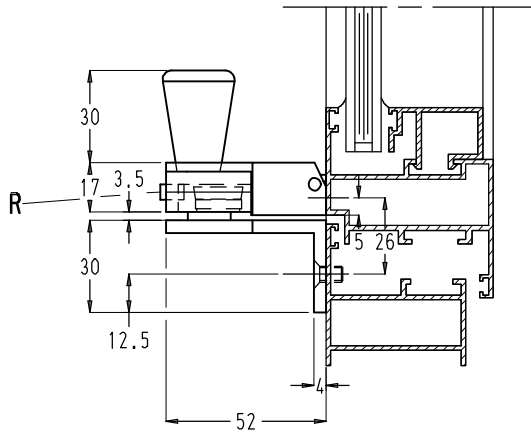
- Both unlocking and opening of the window, as well as closing and locking of the window afterwards occurs by one single horizontal swinging movement.
- In locked position the swing opener is close to the window, so that it is not in the way of curtains or sun-blinds.
- The locking pressure of the window is adjustable by turning the screw R (see next page) in or out until the optimum tightening is reached.
- The swing opener n° 741 is detachable so that the window can be opened further. Release by simply unclipping the hinged part of the arm connected to the vent. See drawing next page.
- Both swing openers are available in a large variety of dimensions, so that they fit most sections, both aluminium and PVC.
- Finish:
 - Aluminium anodised or polyester powder coated in more than 250 RAL colours.
 - Concealed arm and other parts in stainless steel.
 - Turn knob in black plastic.



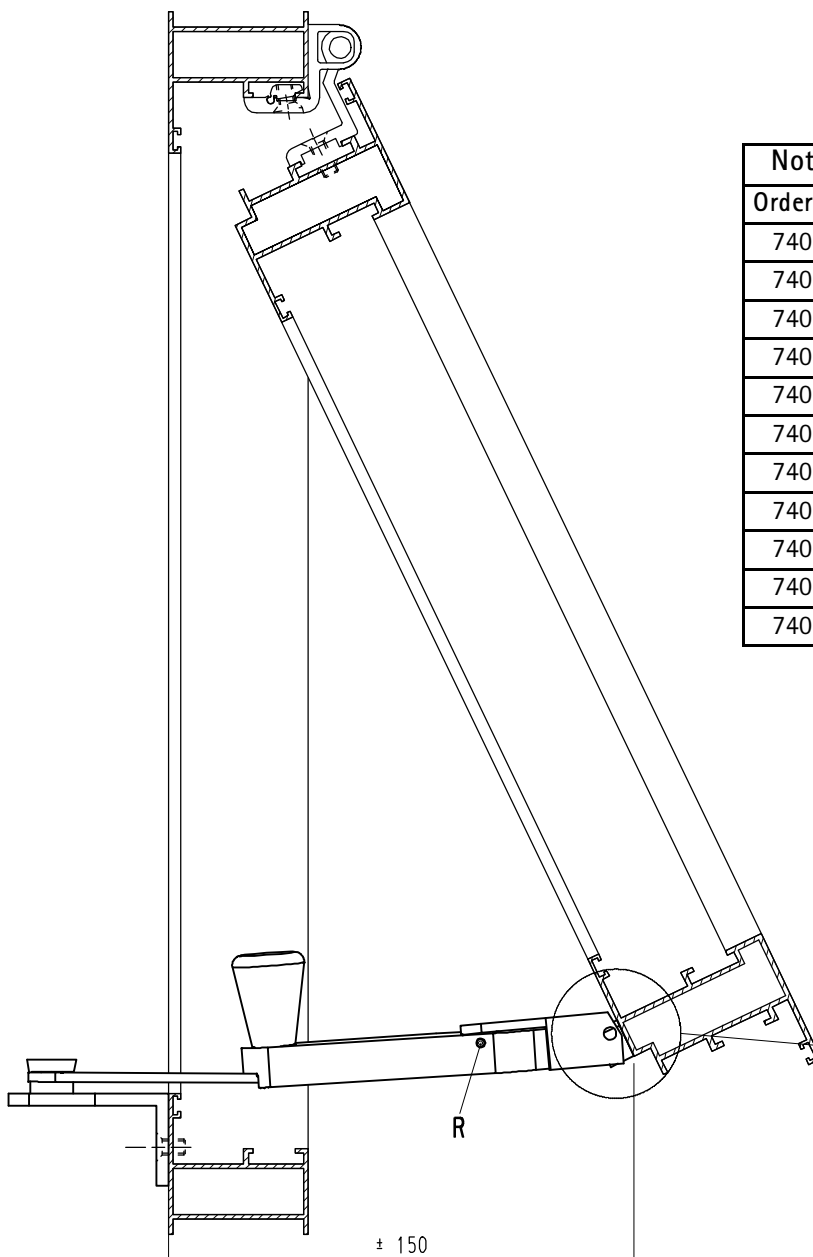
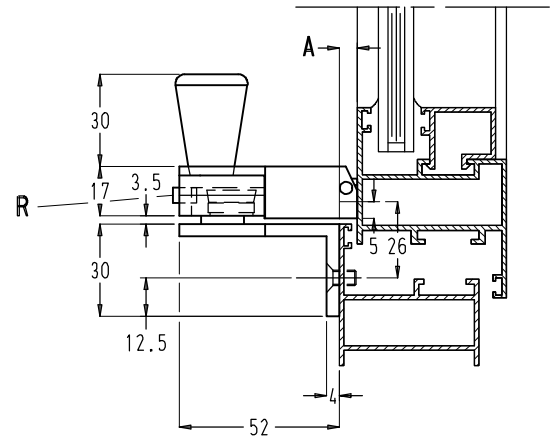


2 Application examples

**Swing opener n° 740-0 and 741-0
for one-level sections**



**Swing opener n° 740-.. and 741-..
for bi-level sections**



Not detachable	
Order code	A=mm
740-0	0
740-2.5	2.5
740-3	3
740-4	4
740-5	5
740-6	6
740-8	8
740-15	15
740-16	16
740-18	18
740-24	24

Detachable	
Order code	A=mm
741-0	0
741-2.5	2.5
741-3	3
741-4	4
741-5	5
741-6	6
741-8	8
741-15	15
741-16	16
741-18	18
741-24	24

Detachable swing openers n° 741-..

