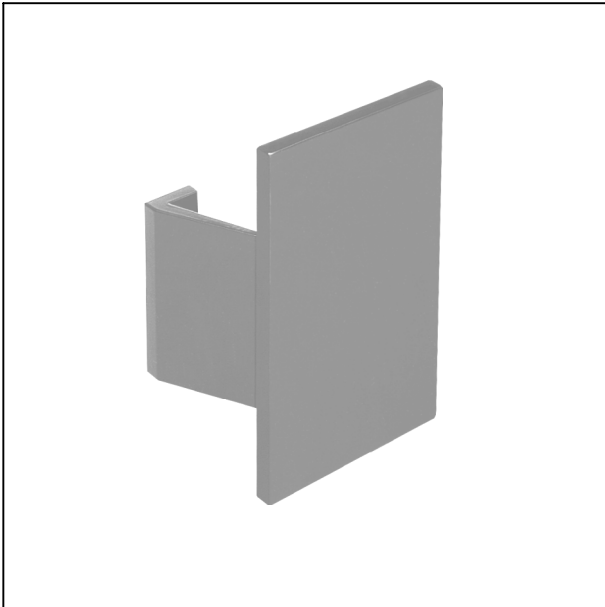




Doors



K.16.DOOR PULLS

Contents

	page
Door pulls series 6000	K.16.2
Bar pulls series 7000	K.16.4

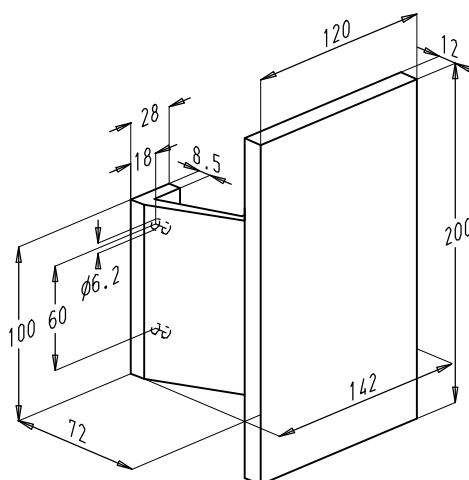
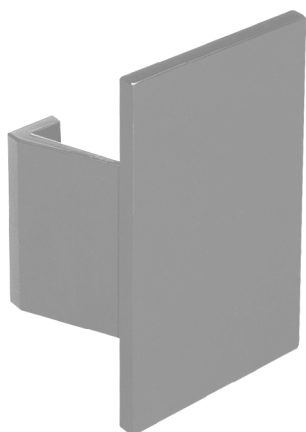
Sobinco
HARDWARE TECHNOLOGY

Waregemstraat 5 B-9870 Zulte Belgium
Tel: 32-9-388 88 81 Fax: 32-9-388 88 21
E-mail: commercial@sobinco.com
<http://www.sobinco.com>

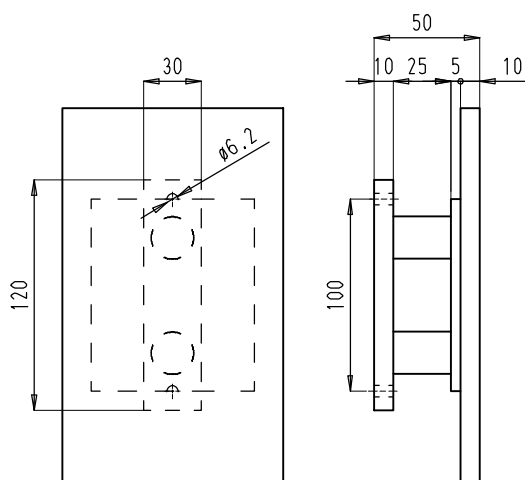
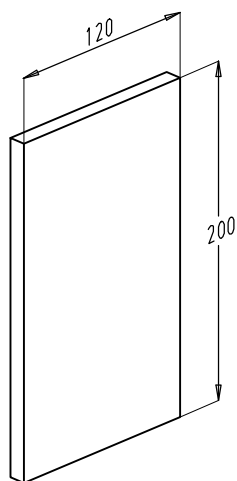


I Door pulls series 6000

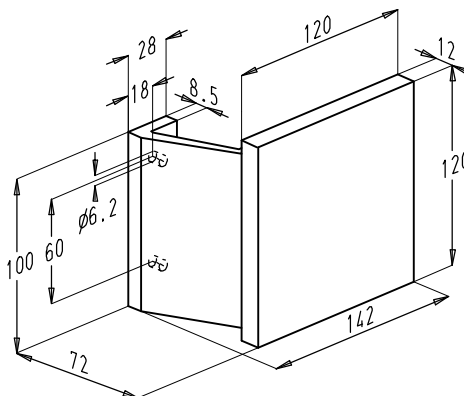
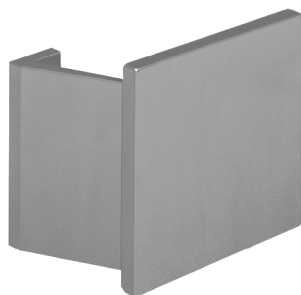
- The door pulls are non-handed.
- Finish: aluminium anodised or polyester powder coated in more than 250 RAL colours.
- The door pulls for glass doors have a different kind of support (type 'V').



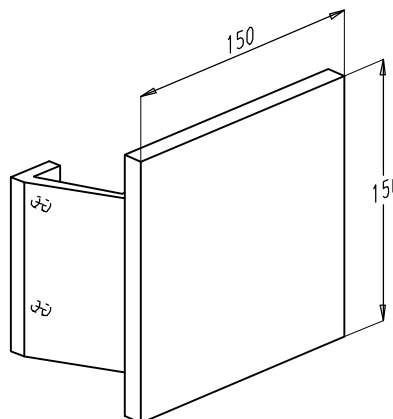
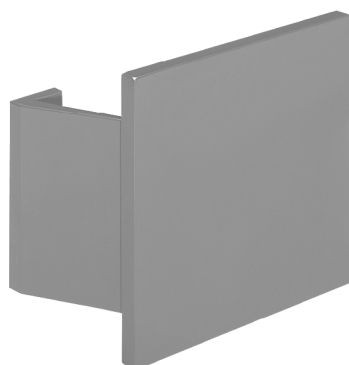
n° 6001



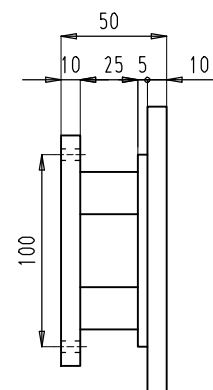
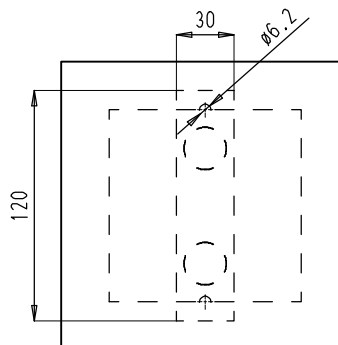
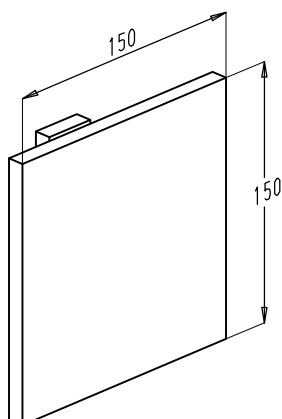
n° 6001V



n° 6003



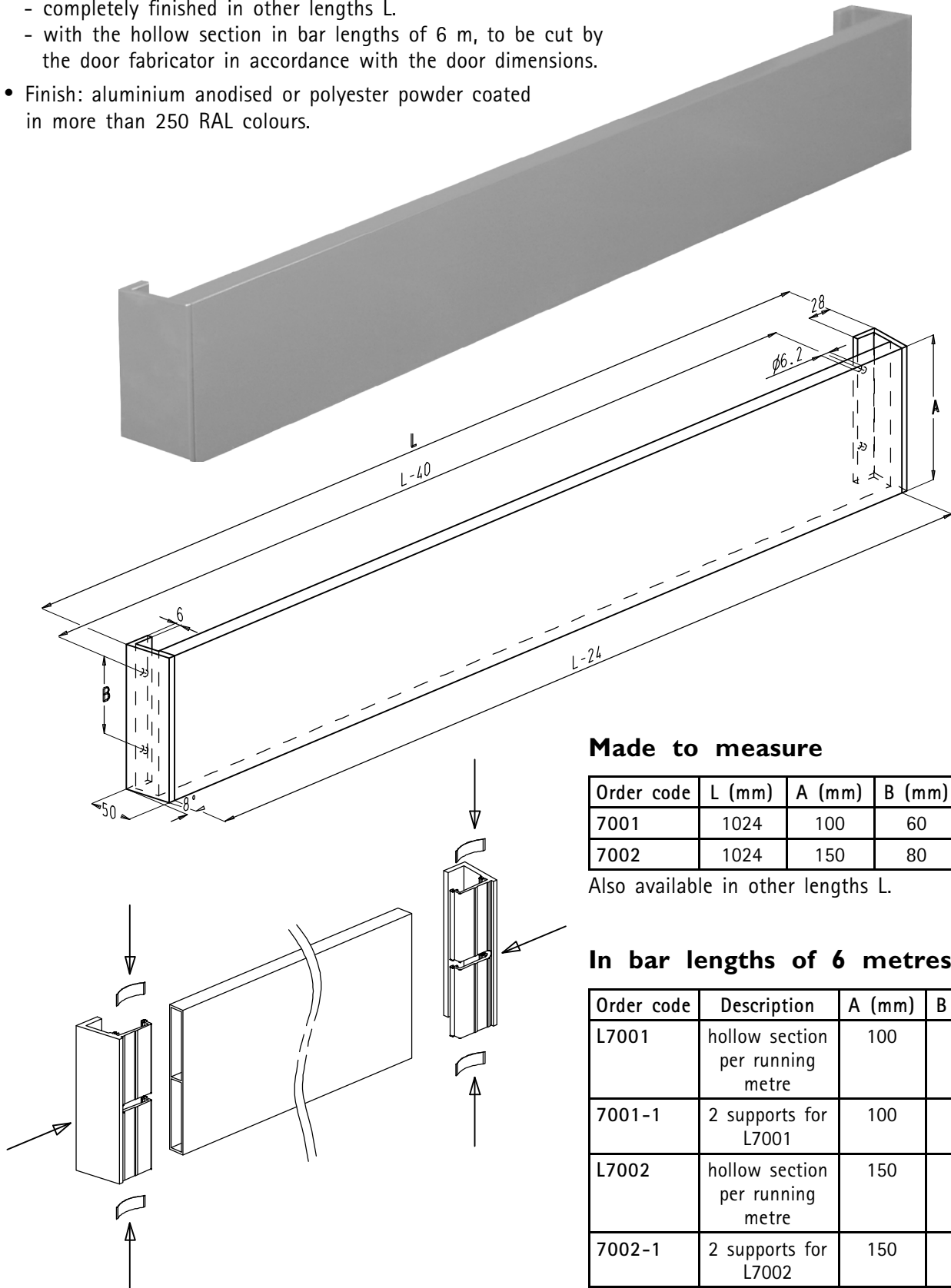
n° 6004



n° 6004V

2 Bar pulls series 7000

- The bar pulls are made of a hollow section and 2 supports with stainless steel springs that slide into the section.
- The bar pulls can be supplied:
 - completely finished with standard length of 1000 mm.
 - completely finished in other lengths L.
 - with the hollow section in bar lengths of 6 m, to be cut by the door fabricator in accordance with the door dimensions.
- Finish: aluminium anodised or polyester powder coated in more than 250 RAL colours.



Made to measure

Order code	L (mm)	A (mm)	B (mm)
7001	1024	100	60
7002	1024	150	80

Also available in other lengths L.

In bar lengths of 6 metres

Order code	Description	A (mm)	B (mm)
L7001	hollow section per running metre	100	
7001-1	2 supports for L7001	100	60
L7002	hollow section per running metre	150	
7002-1	2 supports for L7002	150	80