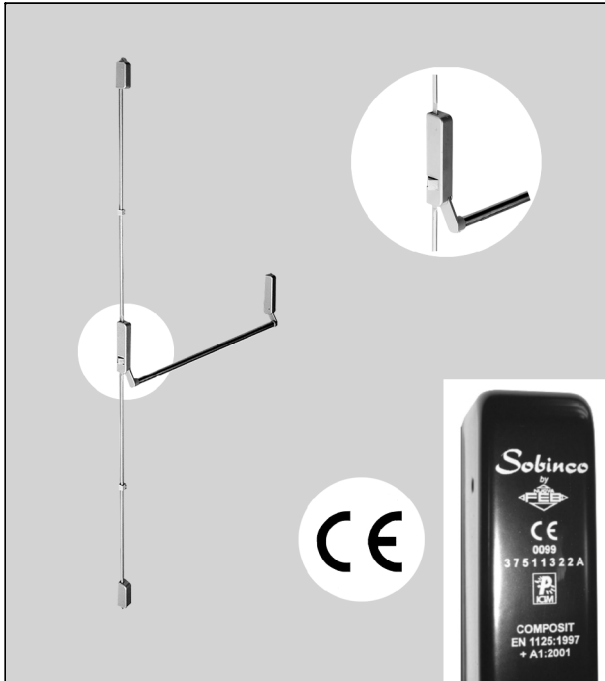




Doors



K.20.EXIT PANIC DEVICES

Contents

	page
Exit panic device n° 570I	K.20.2
Exit panic device n° 571I	K.20.6
Special accessories	K.20.7
Installation instructions	K.20.9

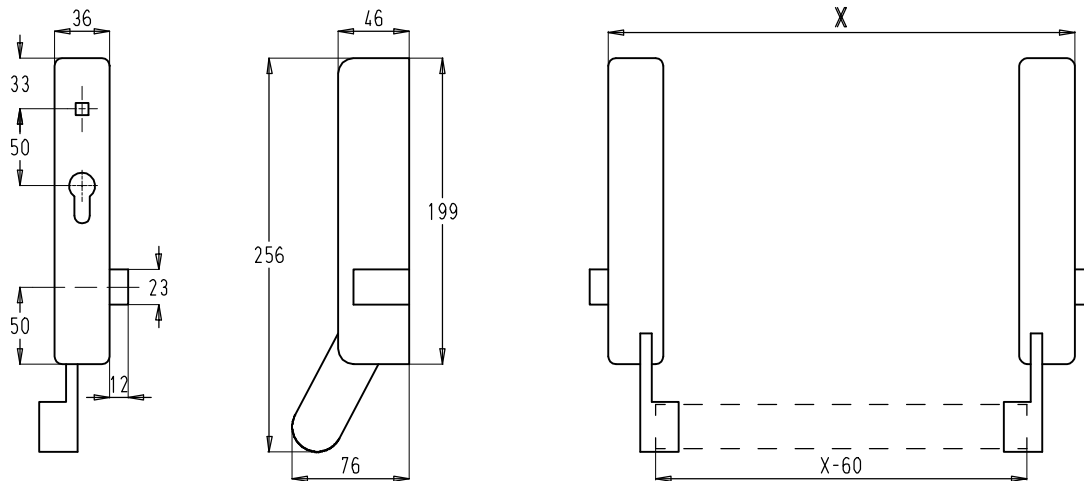
Sobinco
HARDWARE TECHNOLOGY

Waregemstraat 5 B-9870 Zulte Belgium
Tel: 32-9-388 88 81 Fax: 32-9-388 88 21
E-mail: commercial@sobinco.com
<http://www.sobinco.com>

I Exit panic device n° 5701

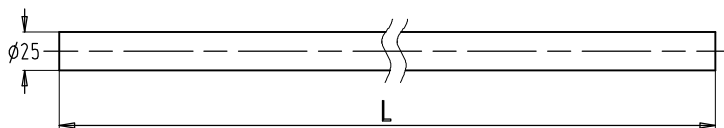
Base mechanism n° 5701-I (CE marked)

- Base mechanism for profile cylinder, steel zinc plated, to be mounted on the inside of the door.
- The exit panic device is CE marked in accordance with the European standard EN 1125:1997+A1:2001. Code 37511322A.
- Latch, steel nickel plated. The latch at the hinge side of the door is pushed inside and covered when mounting the mechanism. Therefore the mechanism can be used for left hand doors as well as for right hand doors.
- Covers steel coated.
- The base mechanism cannot be used with cylinder on the inside. Option: handle n° 5701-2 or n° 5701-20 (INOX) outside, with or without half cylinder outside. Both must be ordered separately.
- The base mechanism is available in 3 colours: white, grey or black coated, to specify when ordering. Other RAL colours on request.



Push bars n° 5701-....

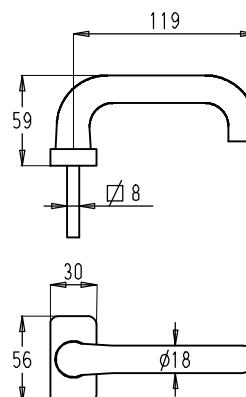
- Available in different lengths.
- Types:
 - Steel, white or black coated, to specify when ordering. Other RAL colours on request.
 - Aluminium, grey anodised.
 - Stainless steel. When ordering please add the characters 'INOX' to the order code.



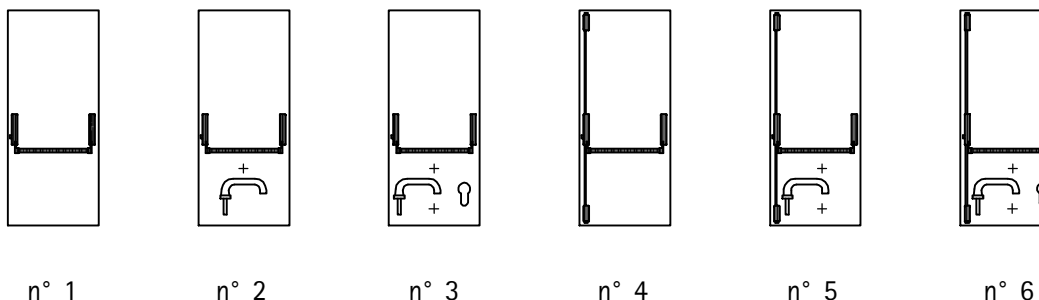
Order code	Length L
5701-1000	1000 mm
5701-1200	1200 mm
5701-1500	1500 mm

Handle n° 5701-2

- Handle in zinc alloy coated, with square spindle, to be mounted on the outside of the door.
- The handle is available in 3 colours: white, grey or black coated, to specify when ordering. Other RAL colours on request.



Combinations for single doors



n° 1

n° 2

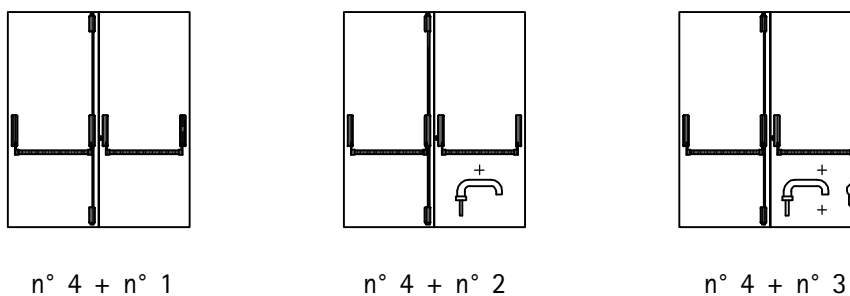
n° 3

n° 4

n° 5

n° 6

Combinations for double doors



n° 4 + n° 1

n° 4 + n° 2

n° 4 + n° 3

Note:

Do not use the additional locking set n° 5701-3B on the second leaf of double doors.

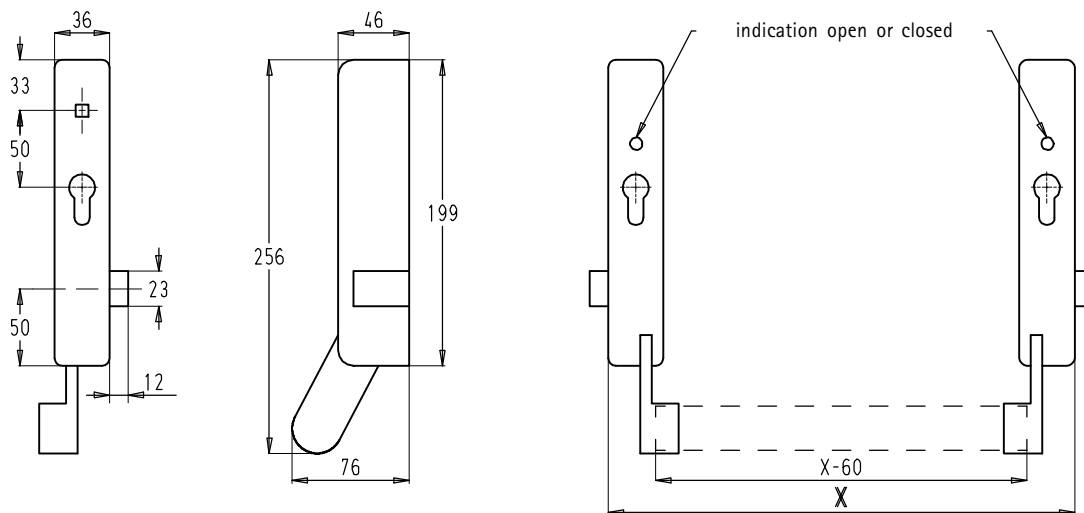
- N° 1 : base mechanism n° 5701-1 without control from the outside
+ push bar n° 5701-....
- N° 2 : base mechanism n° 5701-1
+ handle outside n° 5701-2 or n° 5701-20 (INOX)
+ push bar n° 5701-....
- N° 3 : base mechanism n° 5701-1
+ handle outside n° 5701-2 or n° 5701-20 (INOX)
+ half cylinder outside n° 880-..
+ push bar n° 5701-....
- N° 4 : base mechanism n° 5701-1 without control from the outside
+ additional device n° 5701-3 or n° 5701-3B
+ push bar n° 5701-....
- N° 5 : base mechanism n° 5701-1
+ additional device n° 5701-3 or n° 5701-3B
+ handle outside n° 5701-2 or n° 5701-20 (INOX)
+ push bar n° 5701-....
- N° 6 : base mechanism n° 5701-1
+ additional device n° 5701-3 or n° 5701-3B
+ handle outside n° 5701-2 or n° 5701-20 (INOX)
+ half cylinder outside n° 880-..
+ push bar n° 5701-....

! The mechanism can not be operated with only a cylinder on the outside !

2 Exit panic device n° 5711

Base mechanism n° 5711-I (CE marked)

- Base mechanism for profile cylinder, steel zinc plated, to be mounted on the inside of the door.
- The exit panic device is CE marked in accordance with the European standard EN 1125:1997+A1:2001. Code 37511322A.
- The mechanism is provided with an open/closed indicator.
- The handle n° 5701-2 for control from the outside (see page K.20.2) is included in the base mechanism.
- The base mechanism is especially suitable with cylinder inside and outside or half cylinder inside. Cylinders to be ordered separately.
- Latch, steel nickel plated. The latch at the hinge side of the door is pushed inside and covered when mounting the mechanism. Therefore the mechanism can be used for left hand doors as well as for right hand doors.
- Covers steel coated.
- The base mechanism is available in 3 colours: white, grey or black coated, to specify when ordering. Other RAL colours on request.



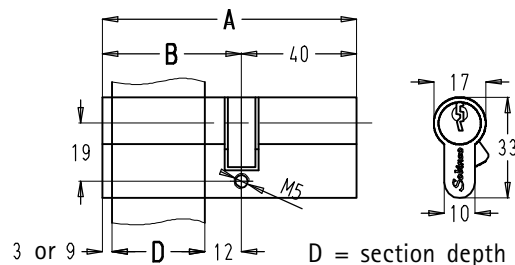
Push bars n° 5701-....

- Same bar as for mechanism n° 5701 on page K.20.2.

Cylinder n° 880-..

- Cylinders for control from the outside and the inside.

With handle 5701-2			
Order code	A	B	D
880-26	110	70	55
880-27	115	75	60
880-28	120	80	65
880-41	125	85	70
880-42	130	90	75

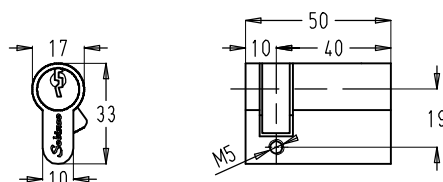


With handle 5701-20			
Order code	A	B	D
880-26	110	70	50
880-27	115	75	55
880-28	120	80	60
880-41	125	85	65
880-42	130	90	70

Other sizes on request

Half cylinder n° 880-9H

- Half cylinder for control from the inside of the door.

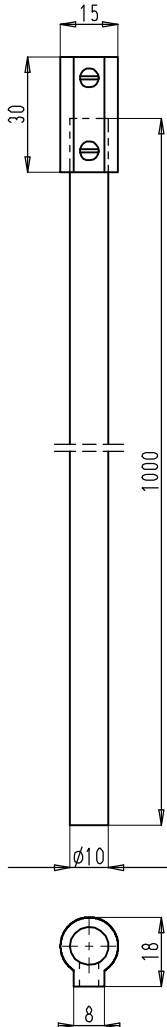


Set with vertical rods and latch bolts n° 5701-3 and n° 5701-3B

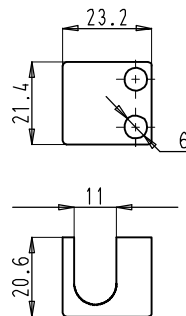
- Same mechanism as for mechanism n° 5701 on page K.20.4.

3 Special accessories

Additional connection rod n° 5701-4

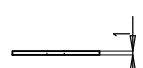
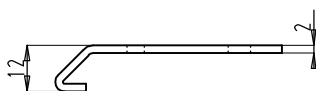
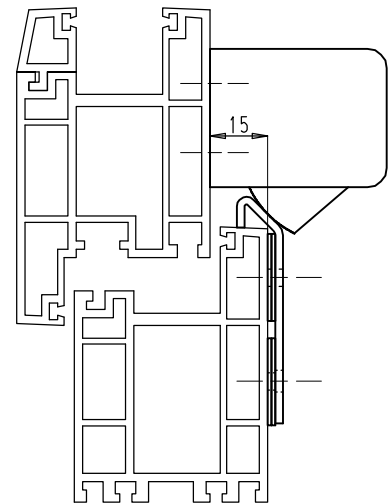
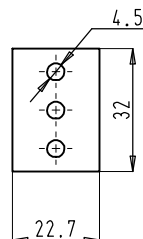
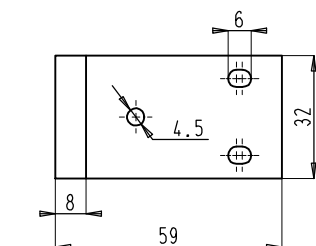


- Additional connection rod for doors with vent height over 2650 mm. Maximum vent height 3600 mm.
- The connection rod, in steel coated, is connected to the top rod of set n° 5701-3 or n° 5701-3B.
- The guiding piece is included in the set.
- The set is available in 3 colours: white, grey or black coated, to specify when ordering. Other RAL colours on request.



Wedge n° 5701-5

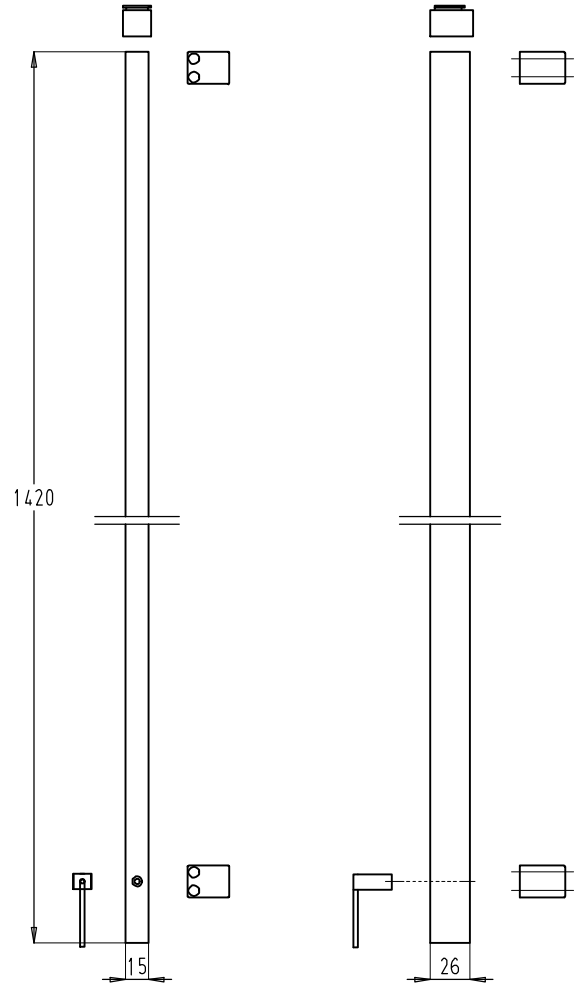
- Wedge in stainless steel for a depth difference between frame section and vent section of 15 to 17 mm.
- The wedge is mainly used for PVC doors.
- The wedge can be mounted at the side or at the top.
- The wedge is supplied with 4 packers, 1 mm thick.



Depth difference = 15 mm : 4 packers
Depth difference = 16 mm : 2 packers
Depth difference = 17 mm : 0 packers

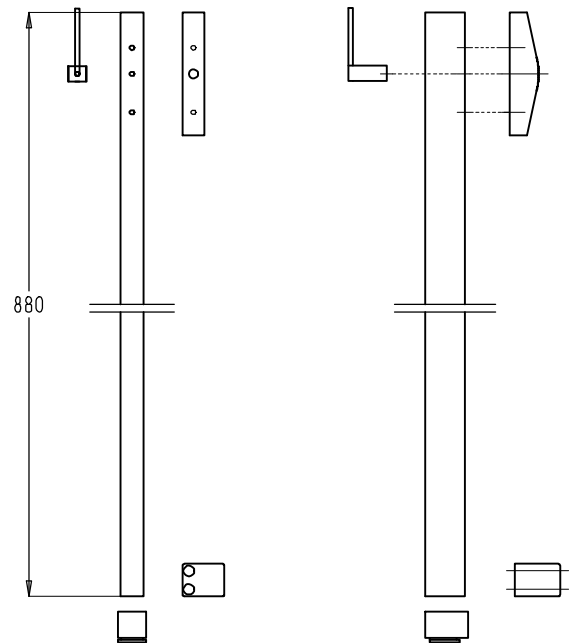
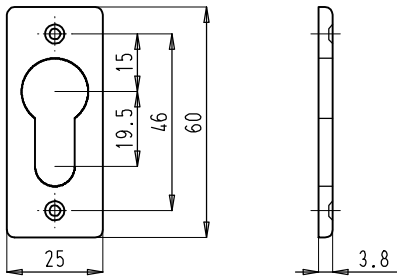
Set cover sections n° 5701-7 for set with vertical rods and latch bolts

- The upper cover section is shortenable in accordance with the door height.
- The mechanism is available in 3 colours: white, grey or black coated, to specify when ordering. Other RAL colours on request.



Escutcheon n° 5701-6

- Escutcheon in white, grey or black synthetic material.

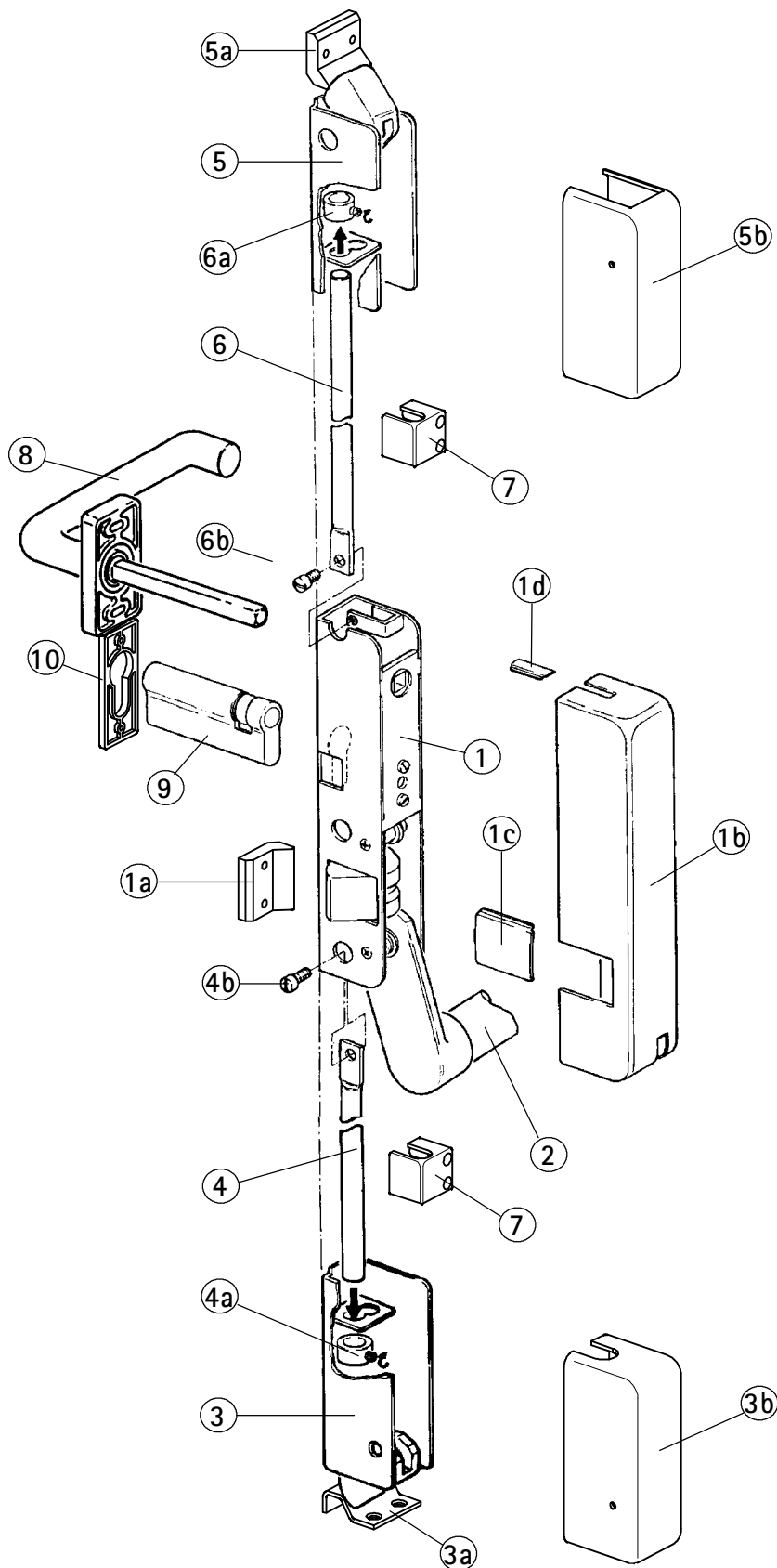


Front view

Side view

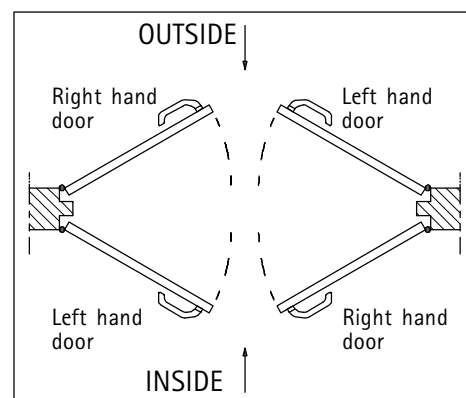
4 Installation instructions

Assembly



• Remarks:

- The set can be used left hand as well as right hand, simply by covering the latch at the hinge side with a plastic cover (1c).
- If the device is used with a set of vertical rods, the plastic clip at top of the steel cover must be removed to slide in the rod.
- The device is illustrated for a left hand open out door (see illustration).



• Sets and parts:

- Base set n° 5701-1 (1)
- Rod n° 5701-.... (2)
- Set of rods n° 5701-3 or n° 5701-3B including:
 - additional bottom device (3)
 - connection rod (4)
 - additional top device (5)
 - connection rod (6)
 - guiding pieces (7)
- Handle n° 5701-2 or n° 5701-20 (INOX) (8)
- Cylinder n° 880-.. (9)
- Escutcheon n° 5701-6 (10)

• Remark: The device can be operated from the outside:

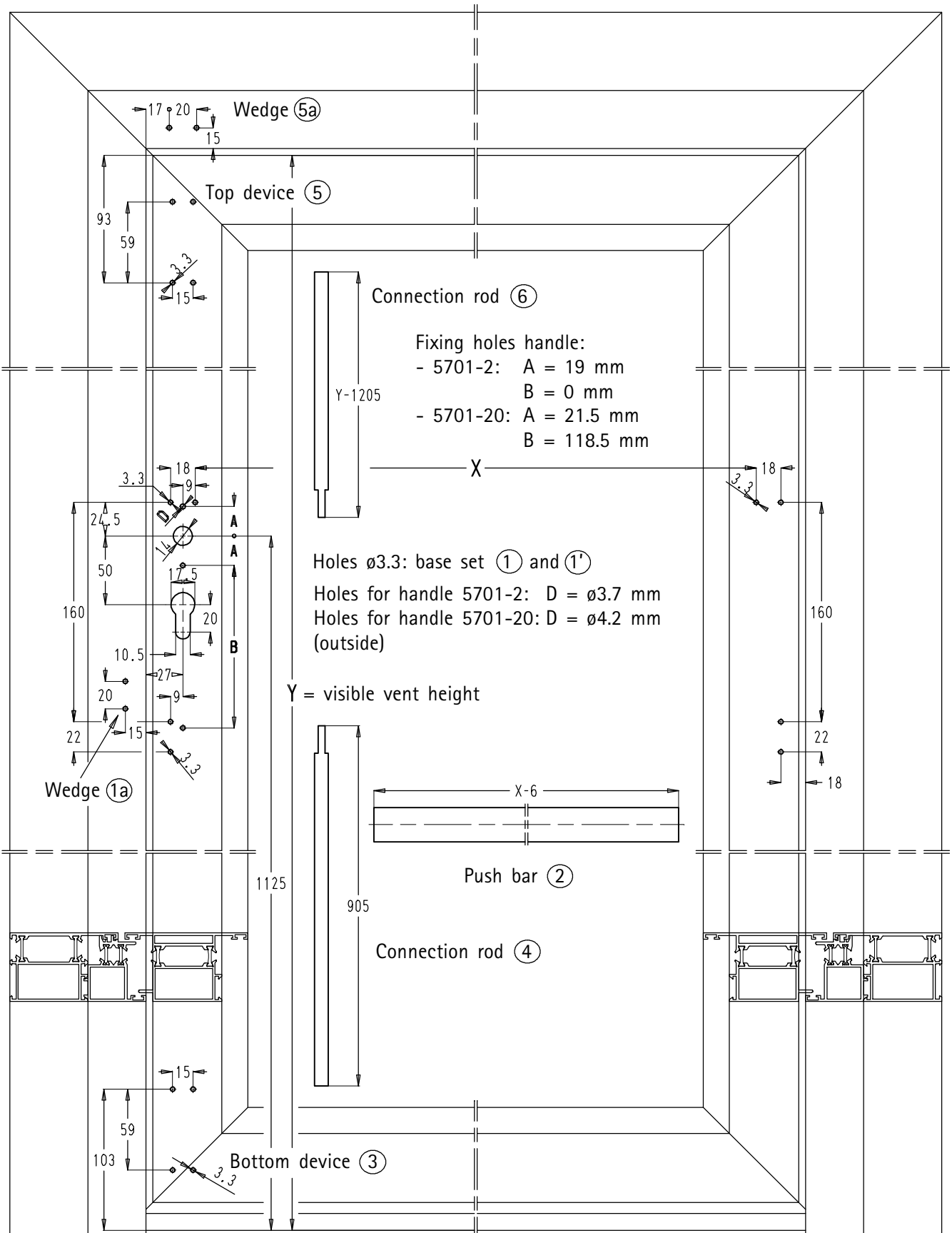
- with handle
 - with handle and cylinder
- But not with a cylinder only.

Assembling order

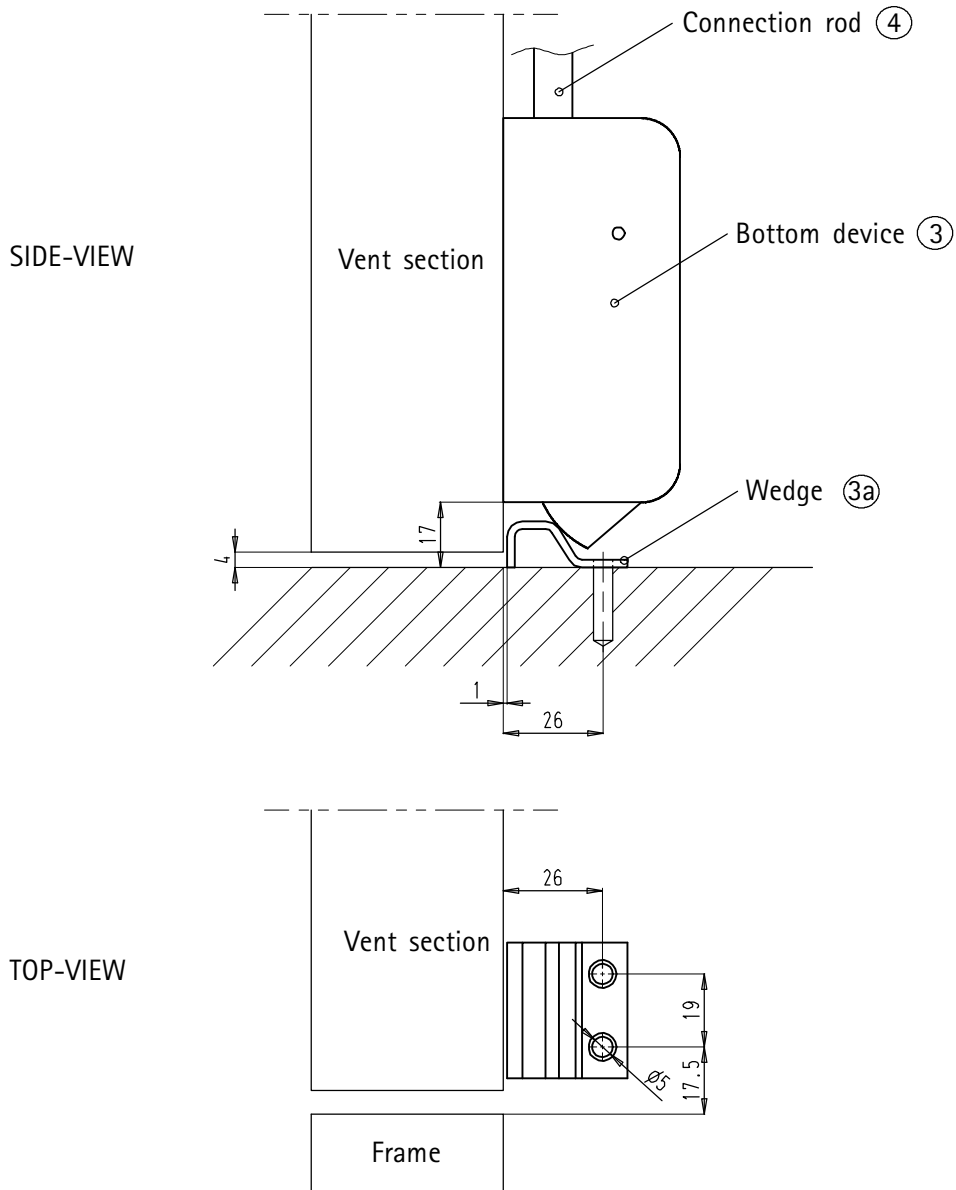
Remark: These instructions are for a left hand open out door.

- 1) Cut out the opening for cylinder and handle and drill 4 holes $\varnothing 3.3$ mm in the vent section in accordance with the dimensions on the drawing.
- 2) Drill 4 holes $\varnothing 3.3$ mm at the hinge side of the door in the same way and at the same height as the left hand middle device.
- 3) Cut off the push bar (2) to the correct length.
- 4) Position the left hand middle device (1) and fix it to the vent section by 4 screws.
- 5) Slide in the push bar (2) in the cavity of the left hand device (1) and fix it.
- 6) Position the right hand device (1') while the right hand side of the push bar (2) is engaged. Fix the device to the vent section by 4 screws.
- 7) Screw the right hand side of the push bar.
- 8) Drill the 4 fixing holes $\varnothing 3.3$ mm for the bottom device (3) in accordance with the dimensions on the drawing.
- 9) Position the bottom device (3) on the fixing holes and fix it by 4 screws.
- 10) Cut off the connection rod (4) to the correct length. Slide the rod into the left hand side (right hand opening for a right hand door) of the eight-shaped opening (see composition drawing). At the same time, slide the fixing ring (4a) on the connection rod without fixing it. First, screw the rod to the middle device with a brass screw (4b). Then, slide the ring against the plate with the eight-shaped opening and fix it.
- 11) Top device (5) : as instruction 8.
- 12) Position the top device (5) : as instruction 9.
- 13) Connection rod (6) : as instruction 10.
- 14) Position wedge (1a) for the middle device and drill 2 holes $\varnothing 3.3$ mm.
- 15) Fix wedge (1a) by 2 screws.
- 16) Bottom wedge (5a) : as instruction 14.
- 17) Fix wedge (5a) by 2 screws.
- 18) Close the door to position the bottom wedge (3a) opposite the latch (see illustration). Drill the 2 holes $\varnothing 5$ mm. Place the 2 plugs and fix the wedge.
- 19a) Handle 5701-2 (8): drill 2 holes $D = \varnothing 3.7$ mm. Insert the spindle + place handle + position and fix the fixing plate with 2 screws. Tighten the handle with a U-clip before mounting the cover plate.
- 19b) Handle 5701-20 (INOX) (8): drill 3 holes $D = \varnothing 4.2$ mm. Fix the base + cover plate.
- 20) Place cylinder (9) and fix it (screw is not included). Place and fix escutcheon (10).
- 21) Before fixing the covers, we advise you to check the operation of the exit panic device.
- 22) Place the covers (1b, 3b, 5b) and fix them by 2 little countersunk screws.
- 23) Position guiding pieces (7) :
 - One guiding piece is placed in the middle between the middle device (1) and the bottom device (3). Drill two holes $\varnothing 2.3$ mm and fix the guiding piece by 2 screws.
 - In the same way place a guiding piece between the middle device and the top device:
 - 1 guiding piece : rod length < 1000 mm
 - 2 guiding pieces : rod length > 1000 mm

Fixing holes and cut-outs



Position wedge ③a on the floor : see illustration on next page

Detail bottom wedge

General notes and instructions

- Check the gaskets do not effect the operation of the exit panic device.
- The exit panic device can only be installed on glass doors provided that the glass is tempered or laminated.
- The components and wedges must be firmly fixed on the sections.
- After the installation, please check that the latches are fully retracted when operating the push bar so that the door can be opened.
- For the satisfactory operation of the exit panic device, please follow strictly the installation instructions.
- To ensure a satisfactory operation, we advise you to execute monthly the following check-ups yourself:
 - Examine and operate the exit panic device to check the good working of the device and all its parts.
 - Check if the latches are retracted by operating the push bar, even at low pressure, and if the latches have a free passage when opening the door.
- After the installation, please give a copy of these installation and maintenance instructions to the user.