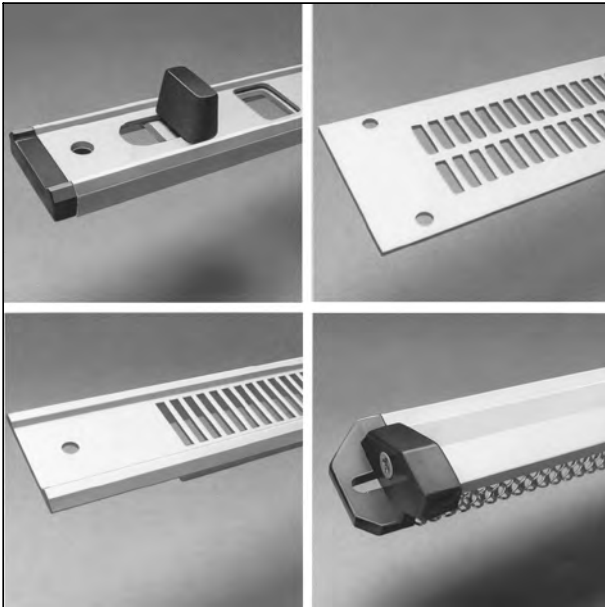




Ventilators



L.19.MINI-VENTILATORS

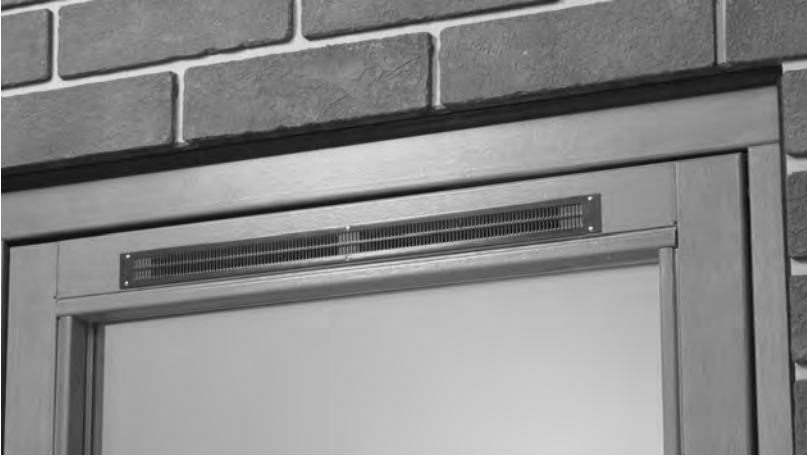
Contents

	page
Face fixed grille	L.19.2
Built-in grille	L.19.5
Face fixed sliding ventilator	L.19.6
Canopies	L.19.8

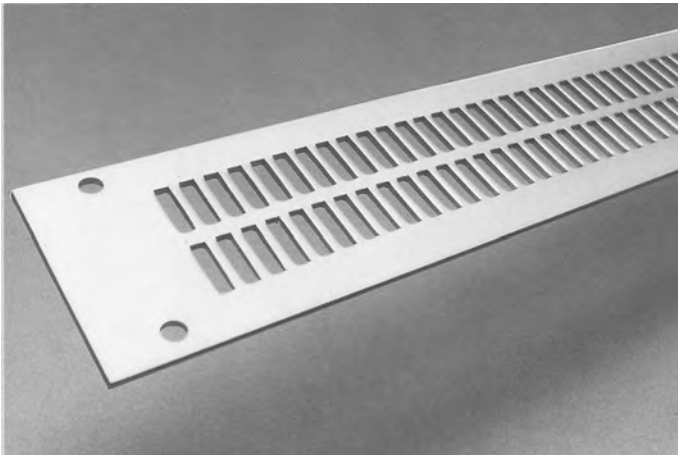
Sobinco
HARDWARE TECHNOLOGY

Waregemstraat 5 B-9870 Zulte Belgium
Tel: 32-9-388 88 81 Fax: 32-9-388 88 21
E-mail: commercial@sobinco.com
<http://www.sobinco.com>

I Face fixed grille



Permanent ventilation

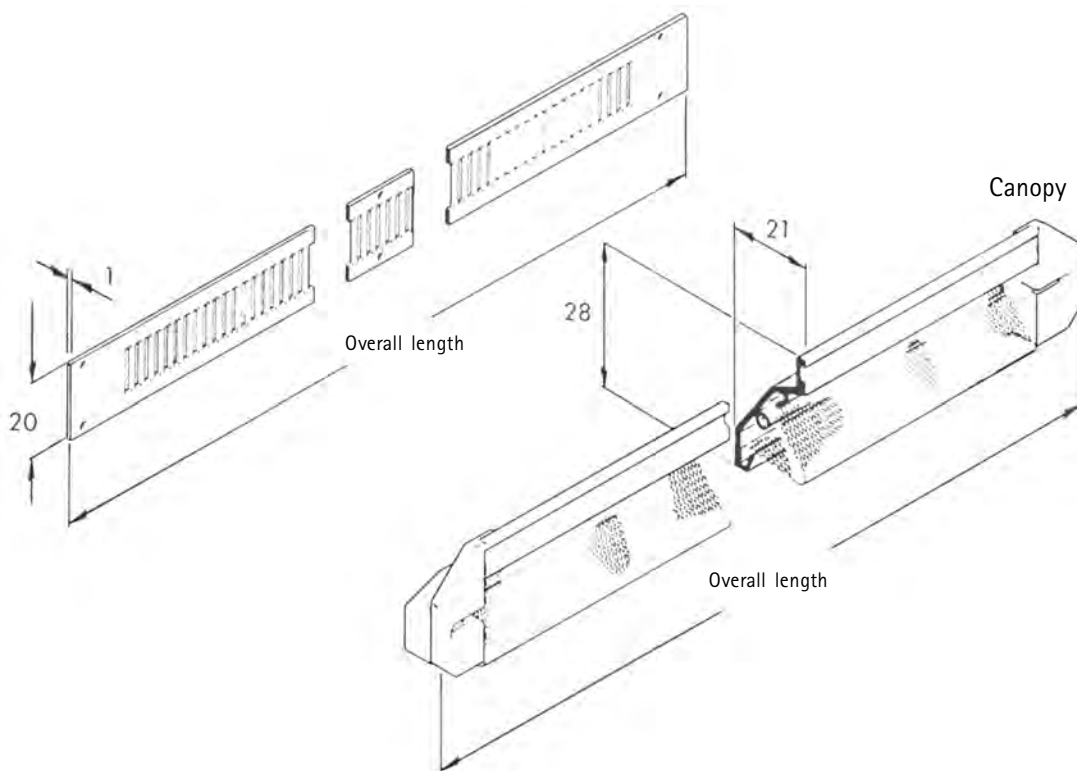


Slot height 12mm or 18mm

Characteristics

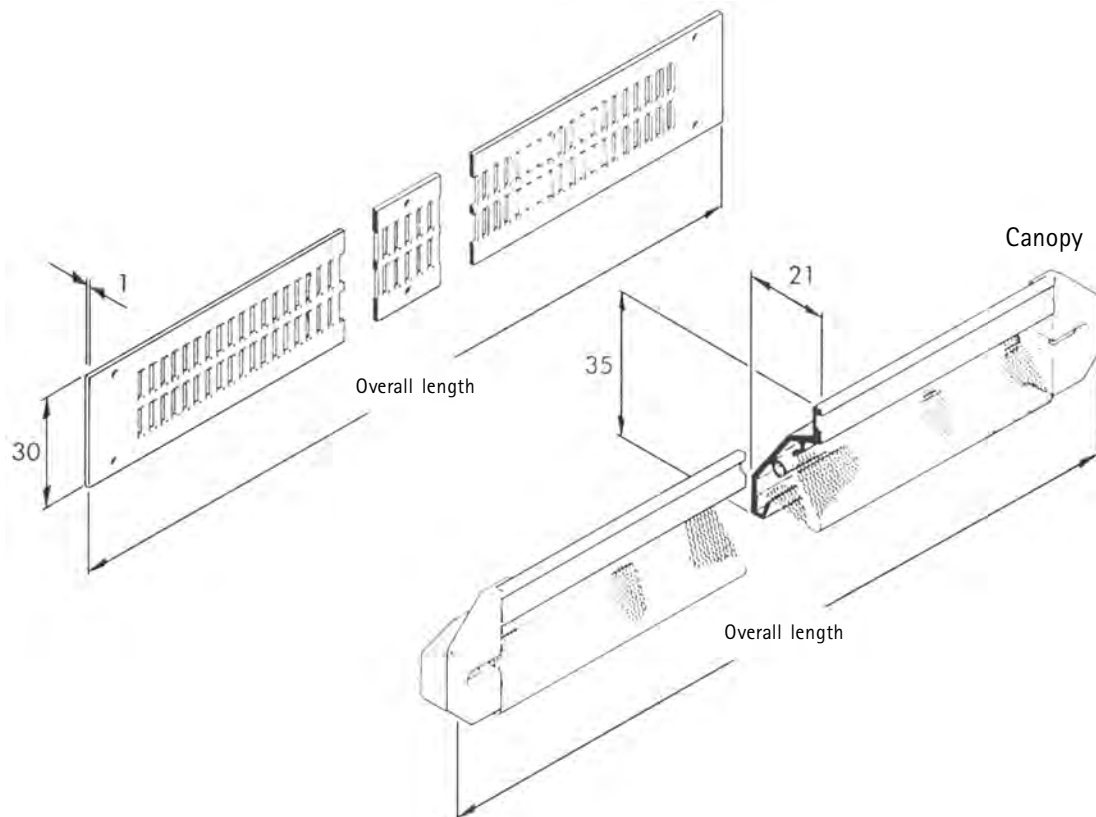
- Non adjustable permanent ventilation for face fixing.
- Generally used as internal grille in combination with a canopy.
- For all window types.
- Available in 2 types: for slot height 12 and 18 mm.
- Matching canopy is available: see page L.19.8.
- Simple fixing.
- Finish: anodised or polyester powder coated in more than 250 RAL colours.

Type with slot height 12mm



Grille	Canopy	Overall grille length	Overall canopy length	Slot dimensions	Air opening
TH266	TA4290	288 mm	297 mm	12 x 255 mm	1920 mm ²
TH275	TA4005	380 mm	400 mm	12 x 347 mm	2640 mm ²
TH276	TA4292	472 mm	481 mm	12 x 439 mm	3336 mm ²
TH277	TA4293	695 mm	701 mm	12 x 662 mm	5016 mm ²

Note: the air opening reduces by 12% if grille is painted.

Type with slot height 18mm


Grille	Canopy	Overall grille length	Overall canopy length	Slot dimensions	Air opening
TA750	TA653	250 mm	250 mm	18 x 220 mm	2060 mm ²
TA751	TA654	435 mm	435 mm	18 x 405 mm	4032 mm ²
TH12	TA655	695 mm	695 mm	18 x 665 mm	6592 mm ²

Note: the air opening reduces by 12% if grille is painted.



2 Built-in grille

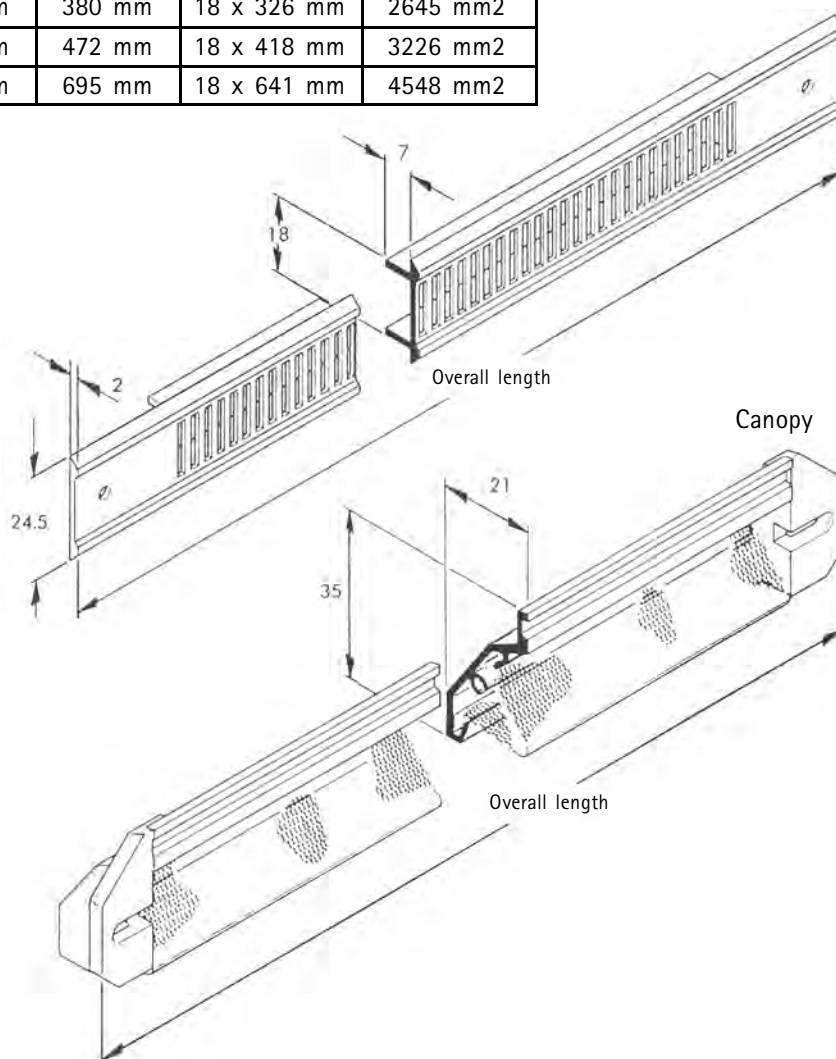


Characteristics

- Non adjustable permanent ventilation for setting in timber slot.
- Generally used as internal grille in combination with a canopy.
- For all window types.
- For setting in 18mm slot.
- Rigid and robust construction.
- Matching canopy is available: see page L.19.8.
- Simple fixing.
- Finish: anodised or polyester powder coated in more than 250 RAL colours.

Type

Grille	Canopy	Overall grille length	Overall canopy length	Slot dimensions	Air opening
TH13	TH5	288 mm	288 mm	18 x 234 mm	1677 mm ²
TH14	TH6	380 mm	380 mm	18 x 326 mm	2645 mm ²
TH15	TH7	472 mm	472 mm	18 x 418 mm	3226 mm ²
TH16	TA655	695 mm	695 mm	18 x 641 mm	4548 mm ²

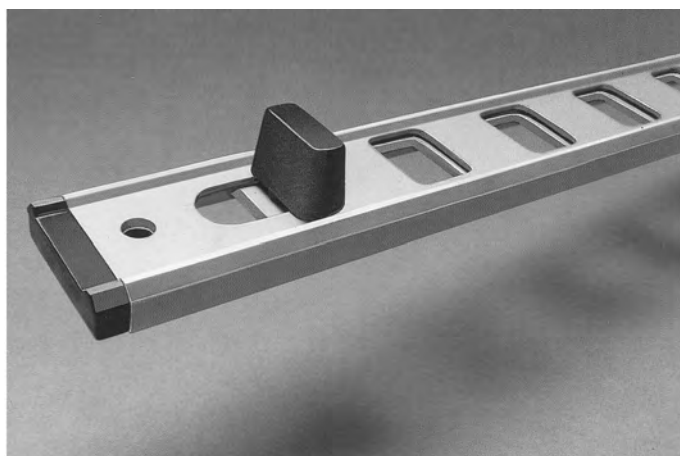




3 Face fixed sliding ventilator



Simple sliding ventilator

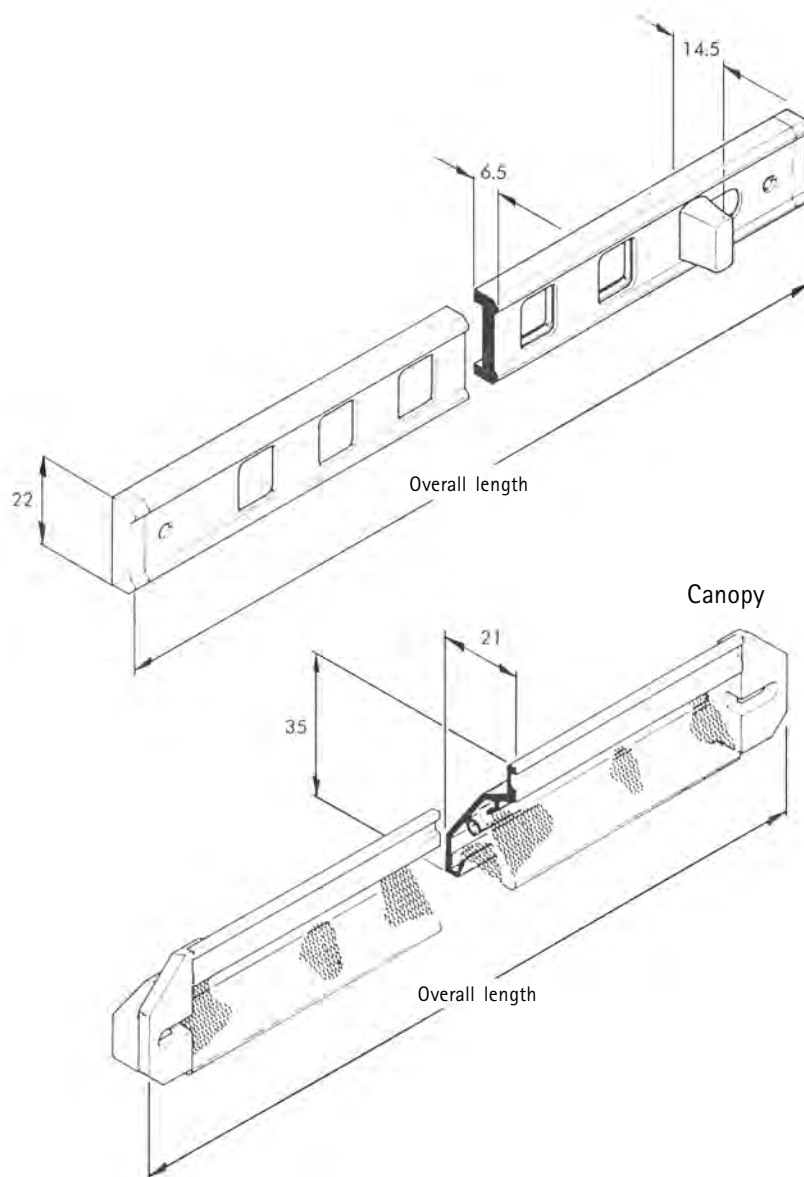


Ideal for night ventilation

Characteristics

- Simple face fixed sliding ventilator.
- Fast and simple fixing to existing windows.
- Ideal for secure background ventilation.
- Fits 16mm slot or a series of round holes.
- Matching canopy is available: see page L.19.8.
- Finish: anodised or polyester powder coated in more than 250 RAL colours., operation knob and end caps in black plastic.

Type



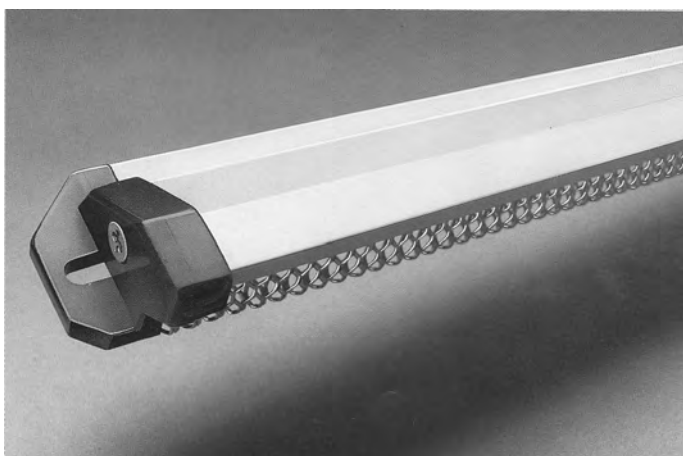
Vent	Canopy	Overall vent length	Overall canopy length	Slot dimensions	Air opening
TH278	TH5	275 mm	288 mm	16 x 230 mm	1355 mm ²
TH30	TH6	367 mm	380 mm	16 x 322 mm	2026 mm ²
TH31	TA401	505 mm	514 mm	16 x 460 mm	2778 mm ²
TH32	TA655	689 mm	695 mm	16 x 644 mm	3983 mm ²



4 Canopies



Compact canopy



Provided with an integral fly screen

Characteristics

- The canopies can be used in combination with the previous grilles and ventilators and help prevent the ingress of water by their special shape.
- All weather louvres are provided with a double fly screen mesh which prevents the ingress of insects.
- The air opening is at least equal to the corresponding ventilator or grille.
- Fast and simple installation.
- Finish: anodised or polyester powder coated in more than 250 RAL colours., end caps in black plastic.

Type

- Types and dimensions: see previous pages.