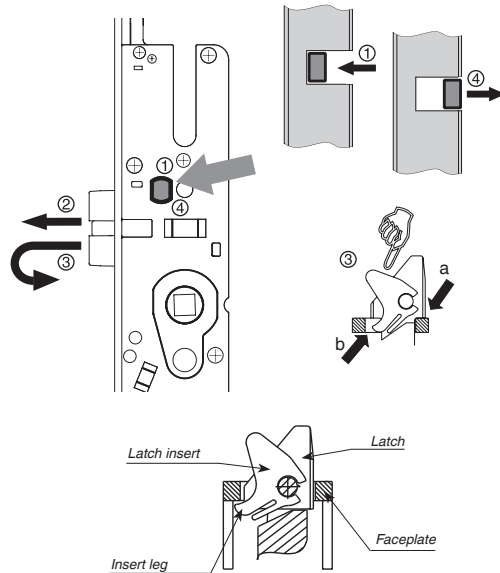




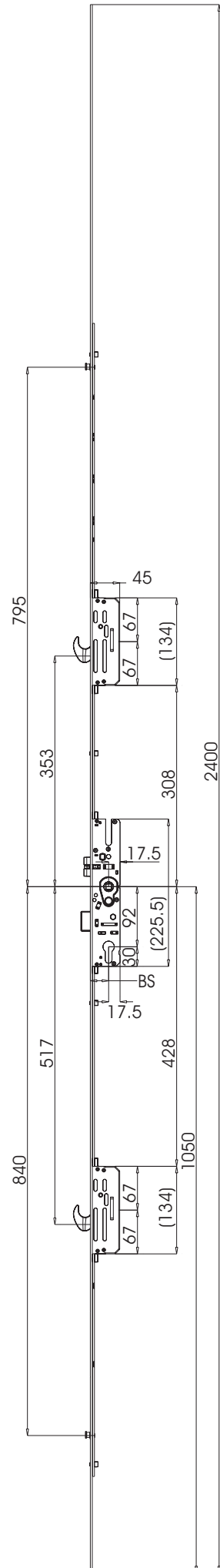
MACO PROTECT

DOOR LOCKS
G-TS NEW
LIFT LEVER DOOR LOCK



- ① Push the Button.
- ② Remove the latch.
- ③ Remove and reverse the latch and replace it into the faceplate slot (a).
Ensure that the leg on the latch insert locates under the faceplate (b).
Then push the latch fully in.
- ④ Ensure that the button fully returns.

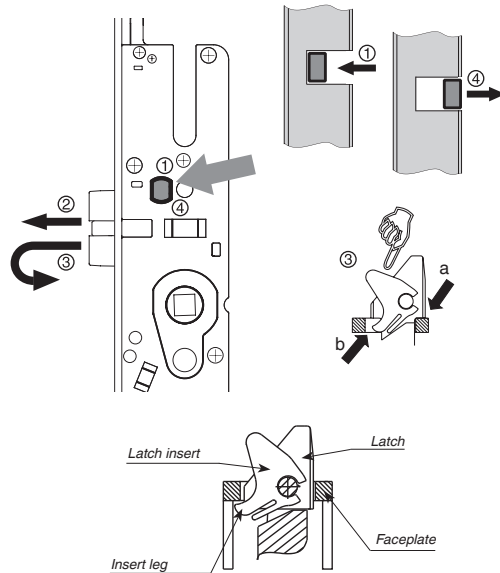
Order No.	BS (mm)	Lock Style	HC (mm)	■ (mm)
233050	28	2 x Hook 2 x i.S. Cam	92	8
233051	35	2 x Hook 2 x i.S. Cam	92	8
233053	45	2 x Hook 2 x i.S. Cam	92	8





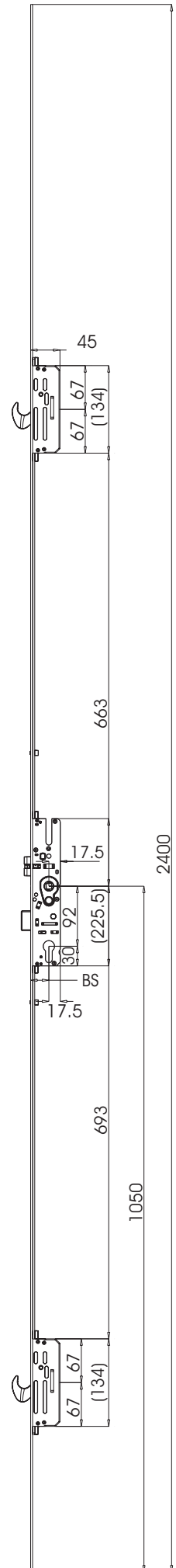
MACO PROTECT

DOOR LOCKS
G-TS NEW
LIFT LEVER DOOR LOCK



- ① Push the Button.
- ② Remove the latch.
- ③ Remove and reverse the latch and replace it into the faceplate slot (a).
Ensure that the leg on the latch insert locates under the faceplate (b).
Then push the latch fully in.
- ④ Ensure that the button fully returns.

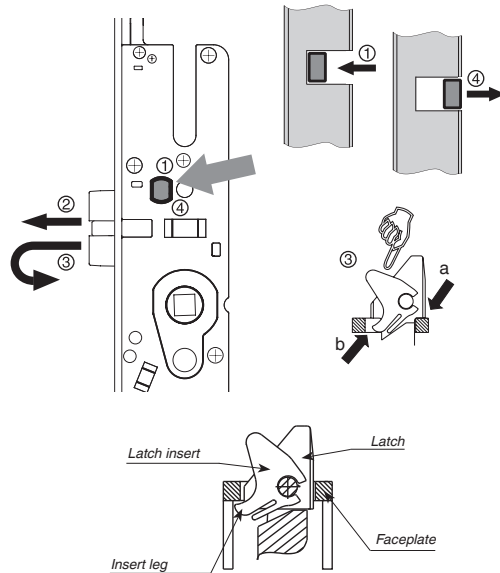
Order No.	BS (mm)	Lock Style	HC (mm)	■ (mm)
233070	28	2 x Hook	92	8
233071	35	2 x Hook	92	8
233073	45	2 x Hook	92	8





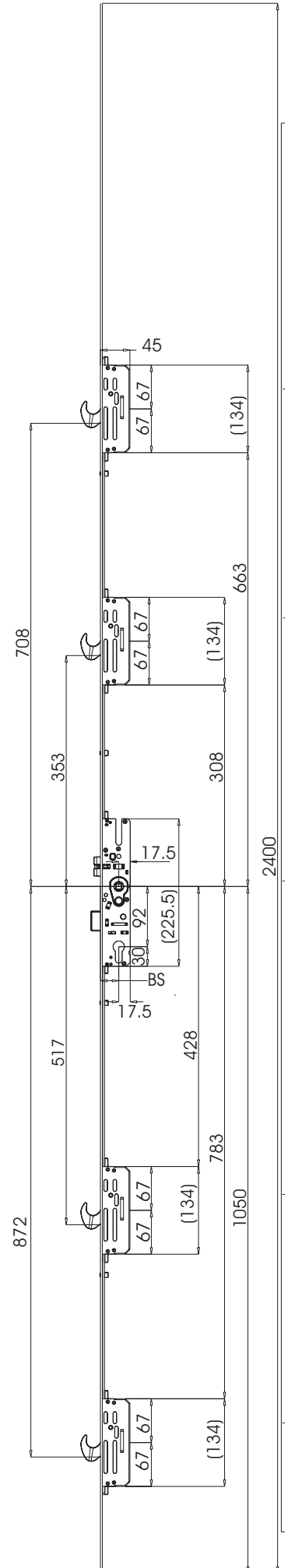
MACO PROTECT

DOOR LOCKS
G-TS NEW
LIFT LEVER DOOR LOCK



- ① Push the Button.
- ② Remove the latch.
- ③ Remove and reverse the latch and replace it into the faceplate slot (a).
Ensure that the leg on the latch insert locates under the faceplate (b).
Then push the latch fully in.
- ④ Ensure that the button fully returns.

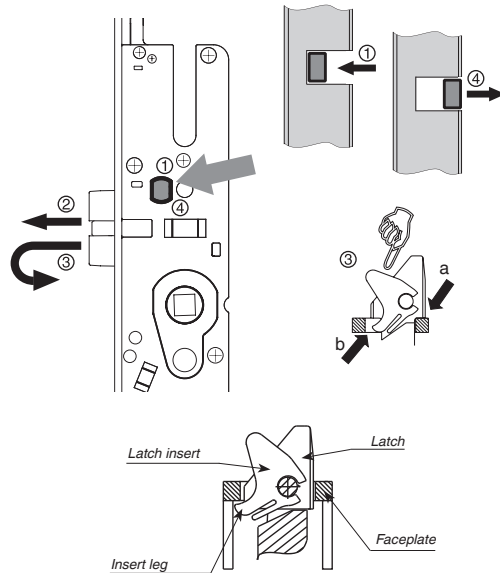
Order No.	BS (mm)	Lock Style	HC (mm)	■ (mm)
233060	28	4 x Hook	92	8
233061	35	4 x Hook	92	8
233063	45	4 x Hook	92	8





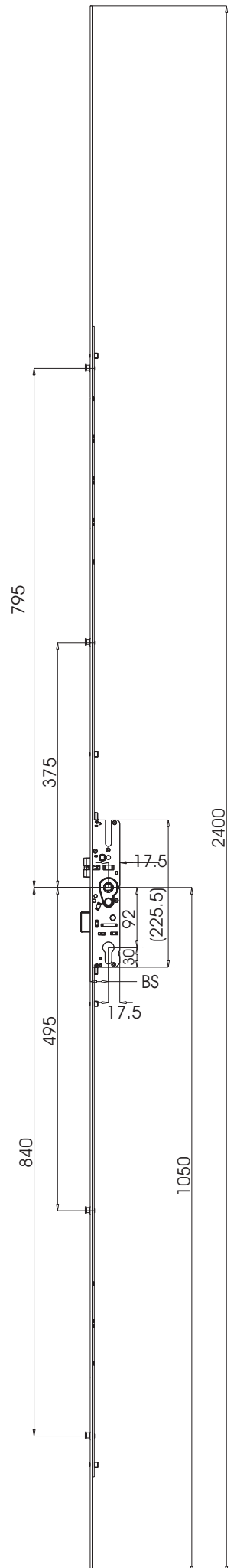
MACO PROTECT

DOOR LOCKS
G-TS NEW
LIFT LEVER DOOR LOCK



- ① Push the Button.
- ② Remove the latch.
- ③ Remove and reverse the latch and replace it into the faceplate slot (a).
Ensure that the leg on the latch insert locates under the faceplate (b).
Then push the latch fully in.
- ④ Ensure that the button fully returns.

Order No.	BS (mm)	Lock Style	HC (mm)	■ (mm)
232010	28	4 x i.S. Cam	92	8
232011	35	4 x i.S. Cam	92	8
232013	45	4 x i.S. Cam	92	8



**MACO
PROTECT**



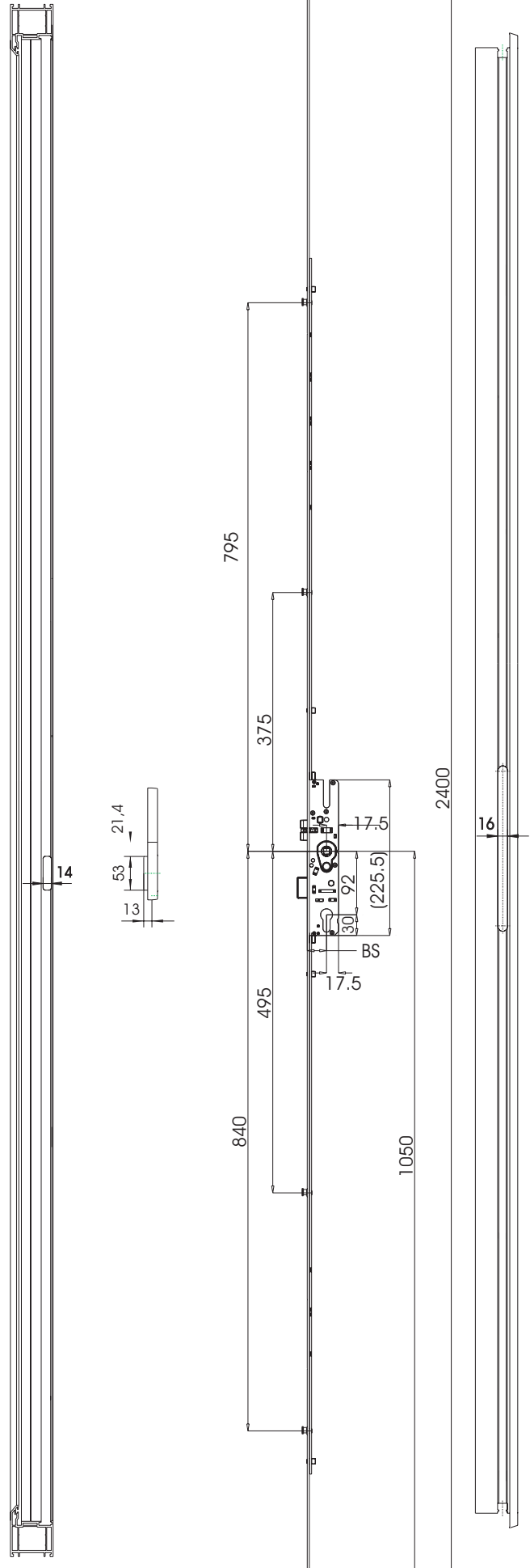
BS	BT
28mm	16mm
35mm	20mm
45mm	20mm

BS - Backset

BT - Bolt Throw

HC - Handle Centres

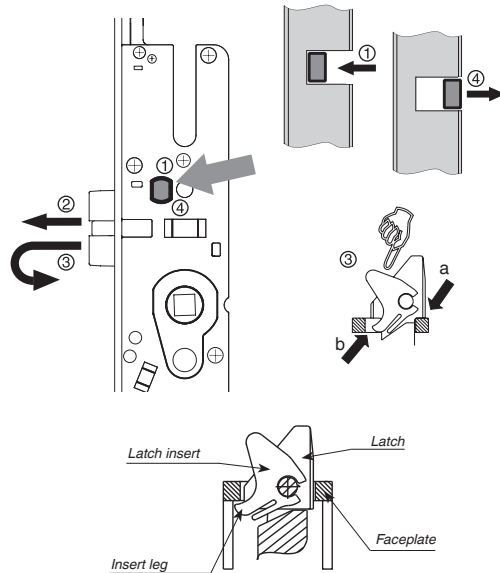
**MACO DOOR & WINDOW
HARDWARE (U.K.) LTD**
EUROLINK INDUSTRIAL CENTRE
CASTLE ROAD, SITTINGBOURNE
KENT ME10 3LY
TEL +44 (0)1795 433900
FAX +44 (0)1795 433901
maco@macouk.net



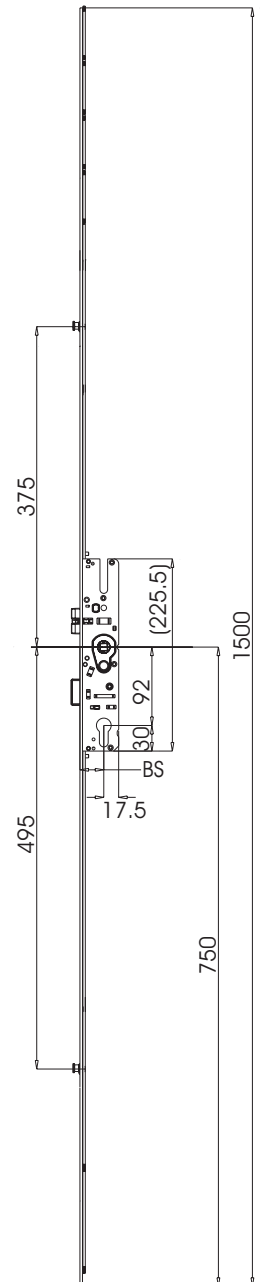


MACO PROTECT

DOOR LOCKS
G-TS NEW
LIFT LEVER DOOR LOCK

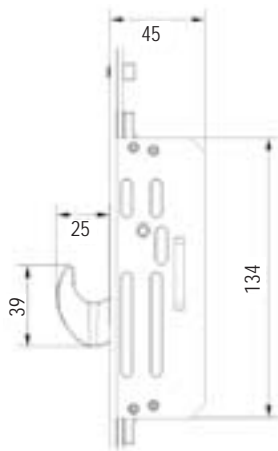
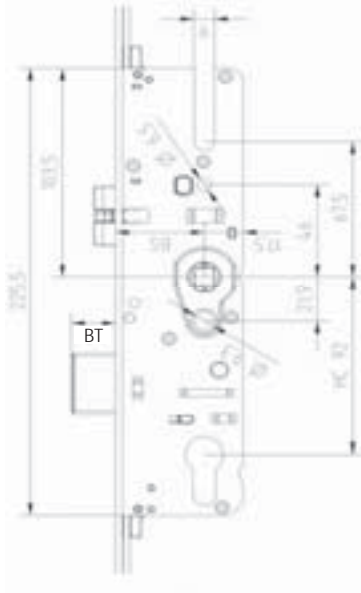


- ① Push the Button.
- ② Remove the latch.
- ③ Remove and reverse the latch and replace it into the faceplate slot (a).
Ensure that the leg on the latch insert locates under the faceplate (b).
Then push the latch fully in.
- ④ Ensure that the button fully returns.



Order No.	BS (mm)	Lock Style	HC (mm)	■ (mm)
232140	28	2 x i.S. Cam	92	8
232141	35	2 x i.S. Cam	92	8
232143	45	2 x i.S. Cam	92	8

**MACO
PROTECT**

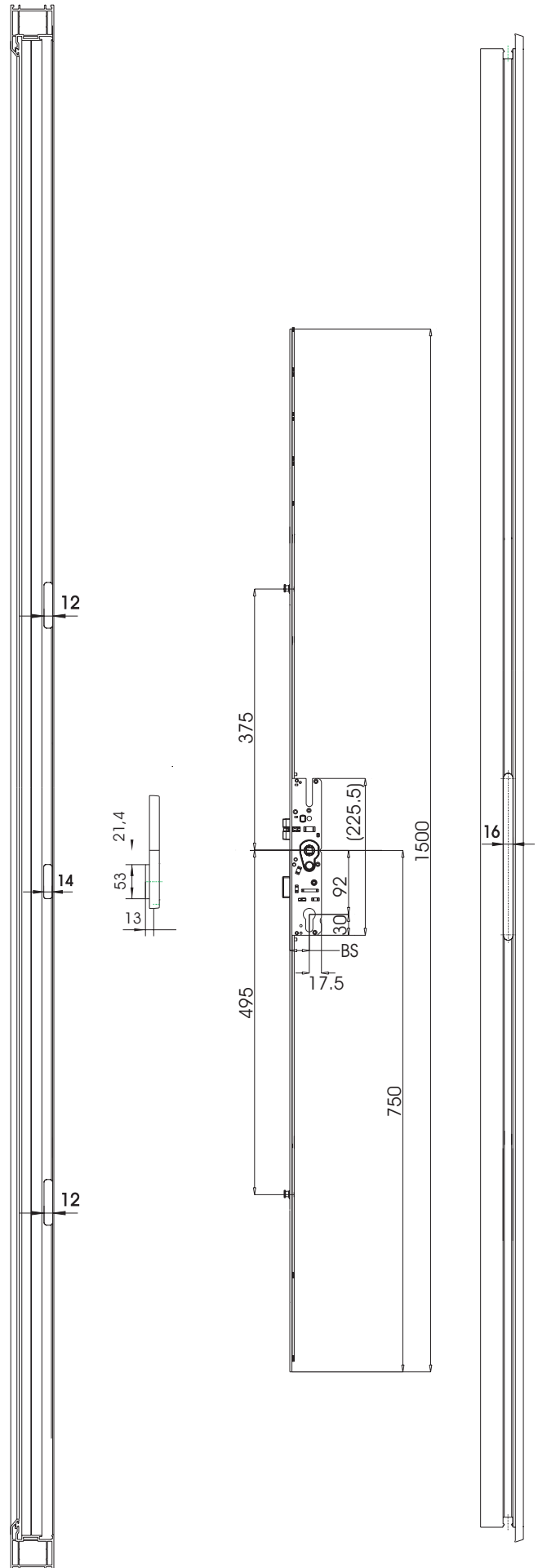


BS	BT
28mm	16mm
35mm	20mm
45mm	20mm

BS - Backset

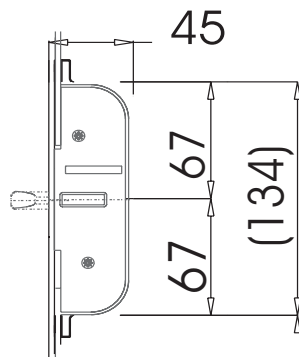
BT - Bolt Throw

HC - Handle Centres



**MACO DOOR & WINDOW
HARDWARE (U.K.) LTD**
EUROLINK INDUSTRIAL CENTRE
CASTLE ROAD, SITTINGBOURNE
KENT ME10 3LY
TEL +44 (0)1795 433900
FAX +44 (0)1795 433901
maco@macouk.net

**MACO
PROTECT**

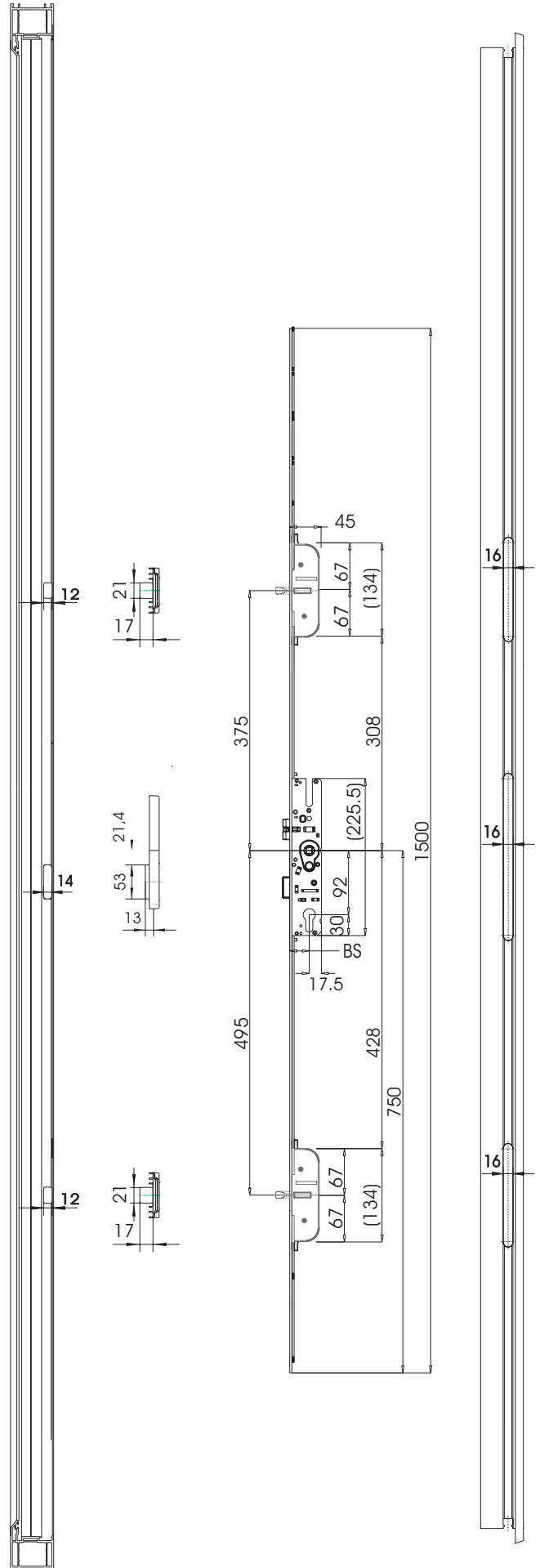


BS	BT
28mm	16mm
35mm	20mm
45mm	20mm

BS - Backset

BT - Bolt Throw

HC - Handle Centres

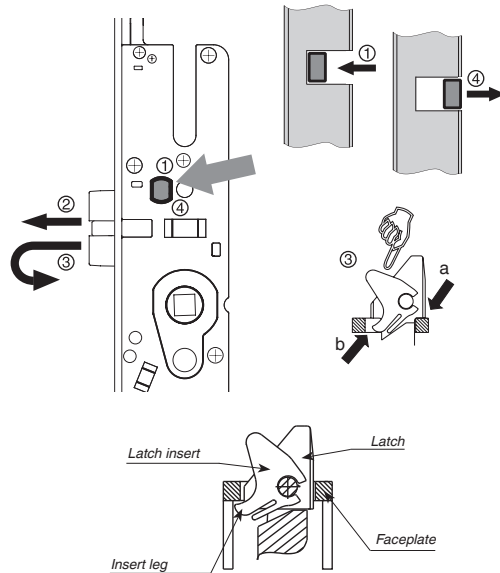


**MACO DOOR & WINDOW
HARDWARE (U.K.) LTD**
EUROLINK INDUSTRIAL CENTRE
CASTLE ROAD, SITTINGBOURNE
KENT ME10 3LY
TEL +44 (0)1795 433900
FAX +44 (0)1795 433901
maco@macouk.net



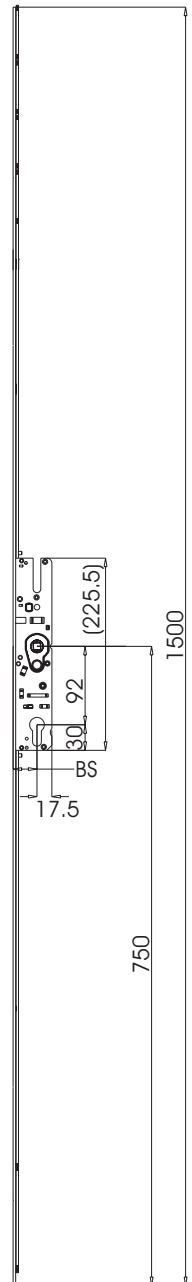
MACO PROTECT

DOOR LOCKS
G-TS NEW
LIFT LEVER DOOR LOCK

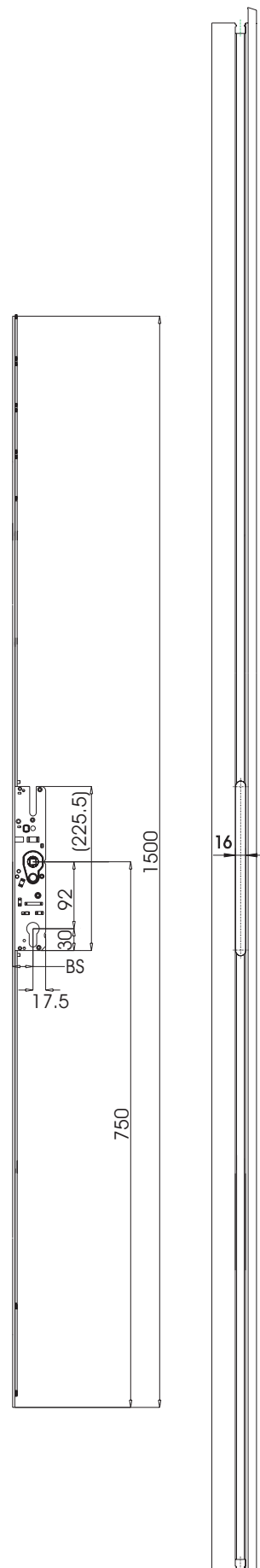
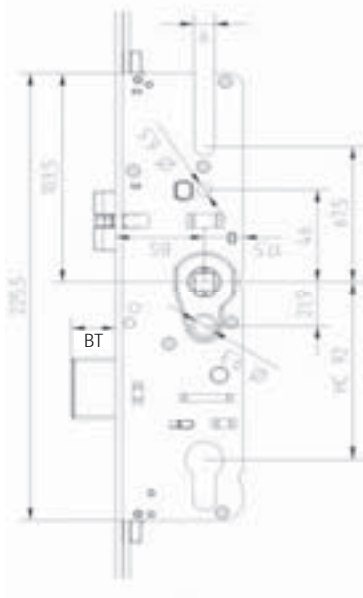


- ① Push the Button.
- ② Remove the latch.
- ③ Remove and reverse the latch and replace it into the faceplate slot (a).
Ensure that the leg on the latch insert locates under the faceplate (b).
Then push the latch fully in.
- ④ Ensure that the button fully returns.

Order No.	BS (mm)	Lock Style	HC (mm)	■ (mm)
233480	28	Slave Lock	92	8
233481	35	Slave Lock	92	8
233483	45	Slave Lock	92	8



**MACO
PROTECT**



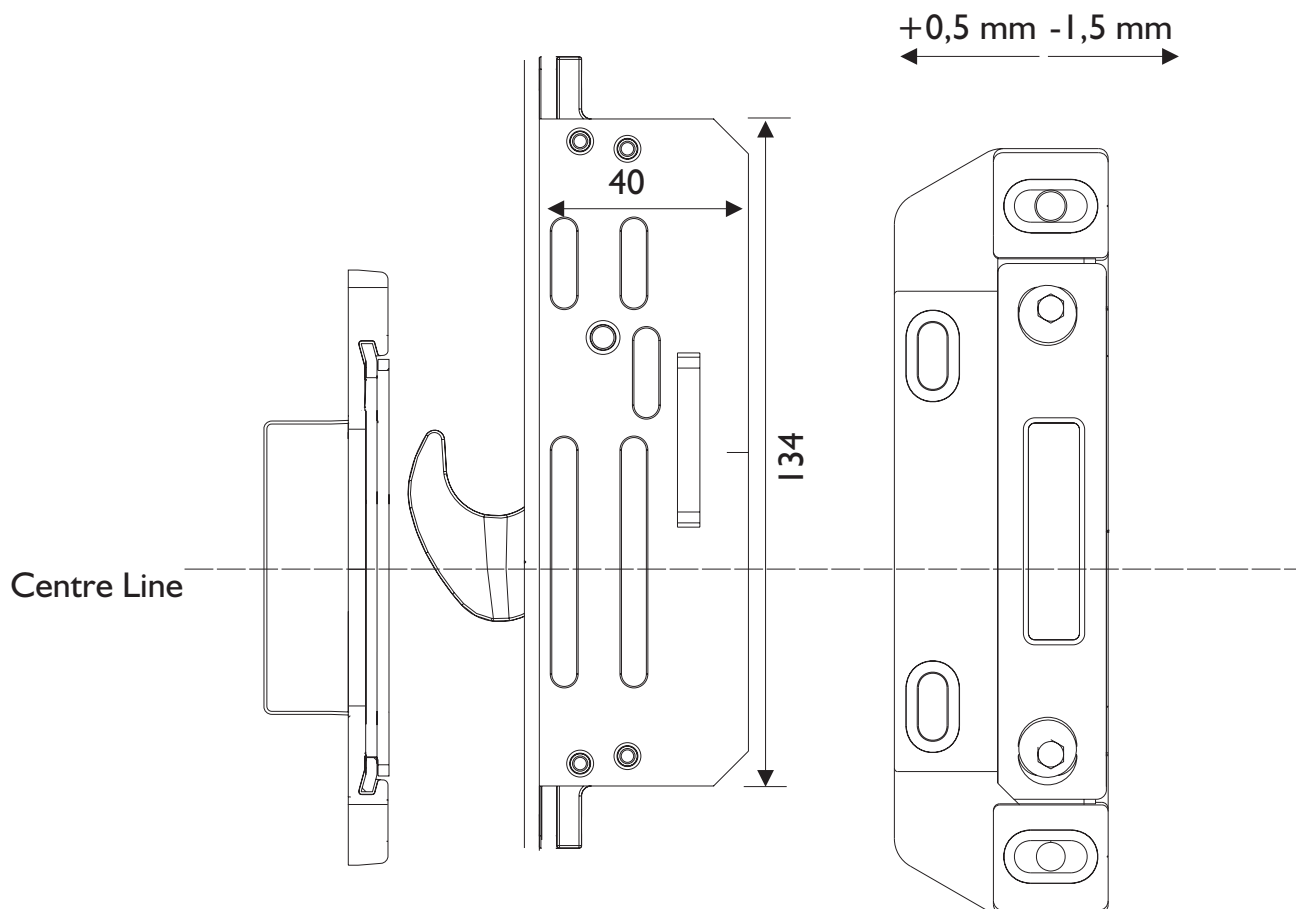
BS	BT
28mm	16mm
35mm	20mm
45mm	20mm

BS - Backset

BT - Bolt Throw

HC - Handle Centres

**MACO DOOR & WINDOW
HARDWARE (U.K.) LTD**
EUROLINK INDUSTRIAL CENTRE
CASTLE ROAD, SITTINGBOURNE
KENT ME10 3LY
TEL +44 (0)1795 433900
FAX +44 (0)1795 433901
maco@macouk.net

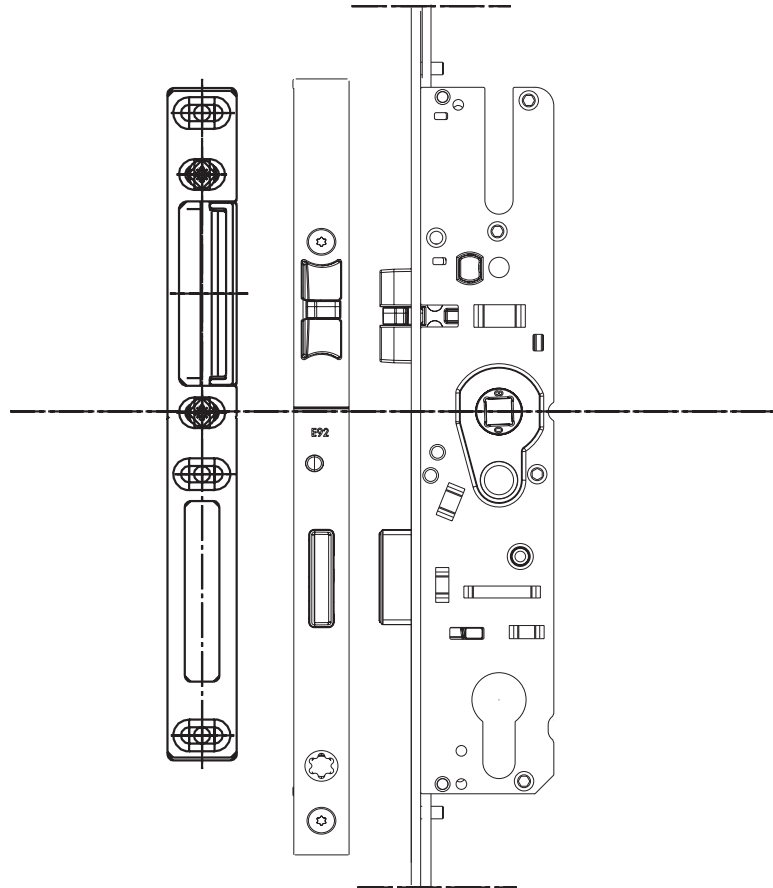


Door Leaf

- Install the hook lock bolt in the normal way.
- Hang the door and adjust so that the door leaf has the correct cover.
- Operate the lock so that the hook bolts are fully thrown, close the door leaf so that the hooks are sitting on the frame and mark the position of the centre of the hook onto the frame.

Fitting the Striker Plates

- Locate the striker onto the frame so that the line directly above the centre line matches with the top of the hook.
- Only fit the strike in position with two screw fixings in the centre of the rear oval slots. (Do not use front screw positions).
- After installation has been completed and the door adjusted, re-check strike recheck strike position,
- slacken screws and adjust as required and tighten screws before testing the operation. When the strike is in the correct position, lock off using the two front screws.
- The compression can be adjusted after installation with a 4 mm allen key.



- Maco door locks and centre strikes are marked with a centre line
- When packing the door please ensure that these lines match through.
- This will ensure that the maximum tolerances are achieved as shown for the hook bolt installation.

Door Lock Lift Lever Key to Lock



Single Doors Order Details



Order No.	Backset (mm)	Lock Style	HC (mm)	■ (mm)
233060	28	4 Hook Bolt	92	8
233061	35	4 Hook Bolt	92	8
233063	45	4 Hook Bolt	92	8

HC – Handle Centres



Order No.	Backset (mm)	Lock Style	HC (mm)	■ (mm)
233070	28	2 Hook Bolt	92	8
233071	35	2 Hook Bolt	92	8
233073	45	2 Hook Bolt	92	8

HC – Handle Centres



Order No.	Backset (mm)	Lock Style	HC (mm)	■ (mm)
233050	28	2 iS Cam & 2 Hook Bolt	92	8
233051	35	2 iS Cam & 2 Hook Bolt	92	8
233053	45	2 iS Cam & 2 Hook Bolt	92	8

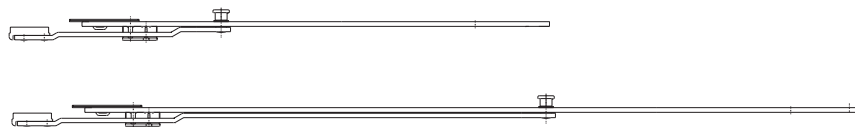
HC – Handle Centres iS – Std / Mushroom Cam



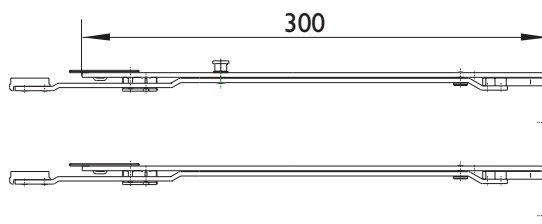
Order No.	Backset (mm)	Lock Style	HC (mm)	■ (mm)
232010	28	4 iS Cam	92	8
232011	35	4 iS Cam	92	8
232013	45	4 iS Cam	92	8

HC – Handle Centres iS – Std / Mushroom Cam

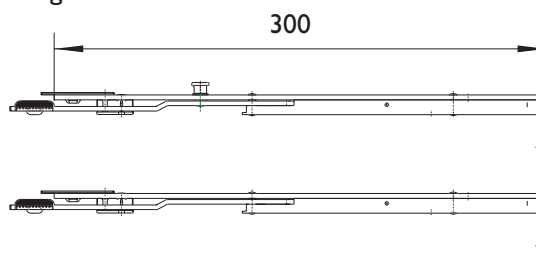
Door Lock End Pieces



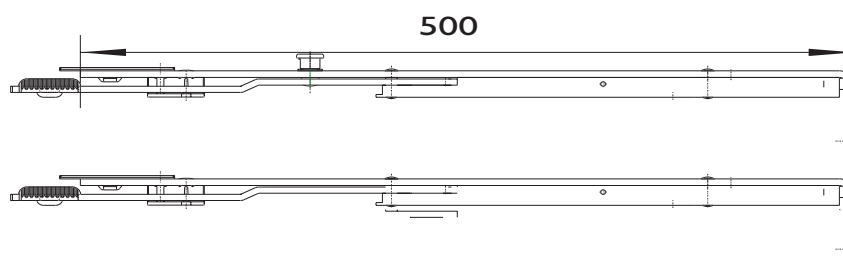
Order No.	Description
57824	300 mm long top and bottom end piece with iS cam
55993	500 mm long top end piece with iS cam



Order No.	Description
58329	300 mm long inline shootbolt with iS cam
58331	300 mm long inline shootbolt without cam



Order No.	Description
58191	300 mm long reverse action shootbolt with iS cam
58335	300 mm long reverse action shootbolt without cam



Order No.	Description
200981	500 mm reverse action shootbolt with iS cam
200982	500 mm reverse action shootbolt without cam



Order No.	Description
TBA Profile related	Top and bottom finger operated shootbolt.

Door Lock Lift Lever Key to Lock



Single / double Doors Order Details



Order No.	Backset (mm)	Lock Style	HC (mm)	■ (mm)
232140	28	2 iS Cam	92	8
232141	35	2 iS Cam	92	8
232142	45	2 iS Cam	92	8

HC – Handle Centres iS – Std / Mushroom Cam



Order No.	Backset (mm)	Lock Style	HC (mm)	■ (mm)
232150	28	2 Finger Bolt	92	8
232151	35	2 Finger Bolt	92	8
232152	45	2 Finger Bolt	92	8

HC – Handle Centres Eh – Mushroom Cam



Order No.	Backset (mm)	Lock Style	HC (mm)	■ (mm)
233500	28	2 Hook Bolt	92	8
233501	35	2 Hook Bolt	92	8
233503	45	2 Hook Bolt	92	8

HC – Handle Centres Eh – Mushroom Cam



Order No.	Backset (mm)	Lock Style	HC (mm)	■ (mm)
233480	28	Double Door	92	8
233481	35	Double Door	92	8
233483	45	Double Door	92	8

HC – Handle Centres Eh – Mushroom Cam