

**Our Ref: AP/CR**

Name  
Company  
Address

**4 June 2008**

Dear ,

**Re: Change to Hook Striker routing detail for New G-TS Lift Lever and W-TS Split Spindle Door Locks.**

As a result of fabricator feedback Maco have decided to change the routing slot detail for the hook strikers from 59mm to 70mm. This change will affect all hookbolt locks in the G-TS lift lever and W-TS split spindle range.

See overleaf for a technical drawing illustrating the change.

Please contact our Technical Office on 01206 713800 or [technical@titon.co.uk](mailto:technical@titon.co.uk) for any further information.

Yours sincerely,

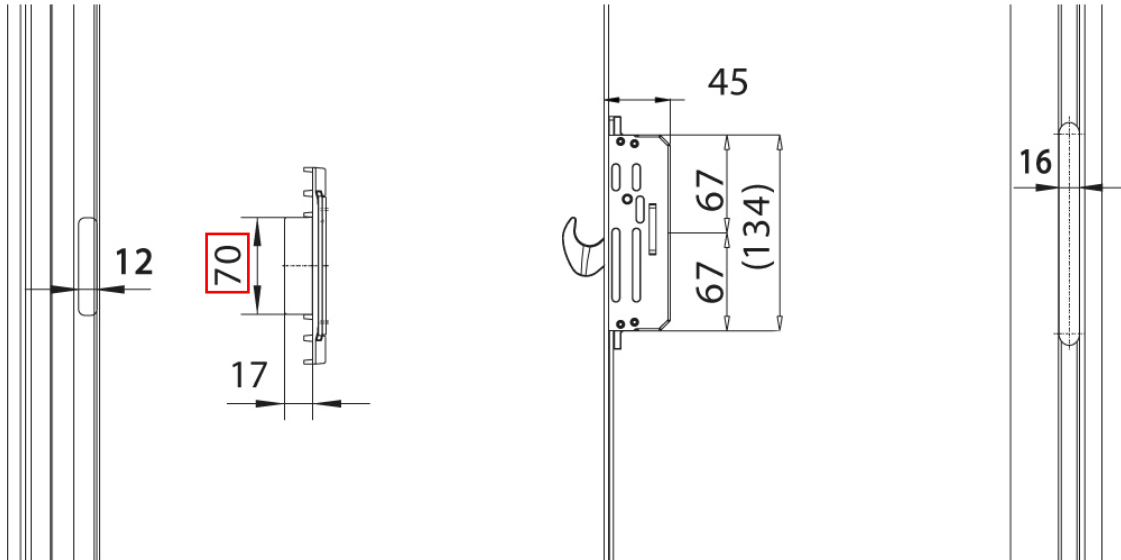
A handwritten signature in black ink, appearing to read 'Chris Martin', with a stylized flourish at the end.

**Chris Martin**  
Sales Director (PVCu/Timber)



**Change to Hook Striker routing detail for New G-TS Lift Lever and W-TS Split Spindle Door Locks.**

**New Details**



**Old Details**

