

Assert

Espagnolette

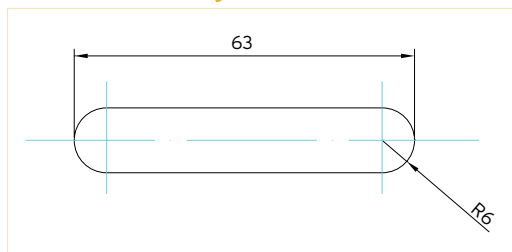


For use on PVCu, timber or aluminium windows

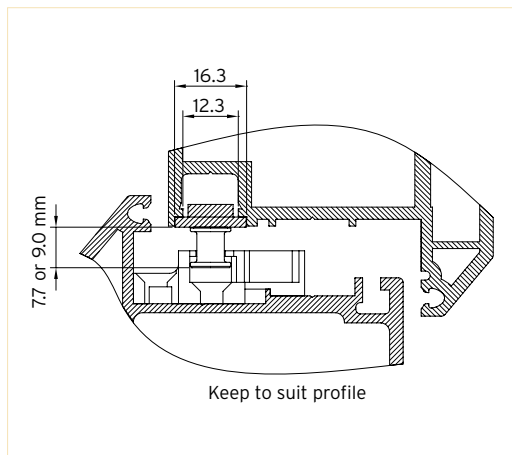
Multipoint locking espagnolette with mushroom cams for side hung and top hung applications. Designed for profiles with eurogroove, the Assert Espagnolette is available in various lengths with two backsets and two cam heights.

The Assert Espagnolette is compatible with all standard espag handles with 43mm fixing centres and a 7mm square spindle.

Lockcase Routing Detail



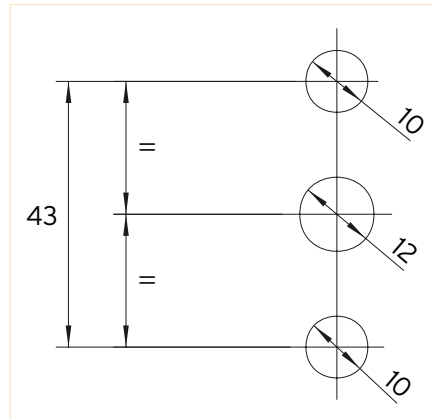
Profile Detail



Features and Benefits

- Competitively priced
- Suitable for use on windows with a 16mm eurogroove
- Mushroom head cams aid security
- 7.7mm and 9mm mushroom cam heights
- 20mm and 22mm backset versions available
- Available in sizes ranging from 280mm to 1200mm
- Keeps are profile related, please contact us for suitability or custom design service

Handle Fixing Detail



Details

Assert Espagnolette - 20mm backset version

Length (mm)	7.7mm Mushroom Height	9mm Mushroom Height	Number of Strikes Required
280	TN2001	TN2007	2
400	TN2002	TN2008	2
600	TN2003	TN2009	2
800	TN2004	TN2010	2
1000	TN2005	TN2011	3
1200	TN2006	TN2012	3

Assert Espagnolette – 22mm backset version

Length (mm)	7.7mm Mushroom Height	9mm Mushroom Height	Number of Strikes Required
280	TN2013	TN2019	2
400	TN2014	TN2020	2
600	TN2015	TN2021	2
800	TN2016	TN2022	2
1000	TN2017	TN2023	3
1200	TN2018	TN2024	3

Size Range

280mm to 1200 mm espagnolette lengths

Manufactured From

Mild steel

Finish

Silver finish - BS EN 1670 Grade 4 (240 hours)

Recommended screws

Espagnolette - 4mm countersunk head
Handle fitting - M5 Machine screw

Performance

Full test details available on request

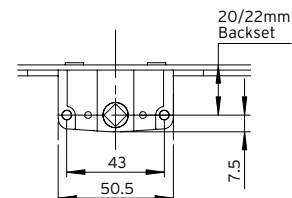
When Ordering Please Specify

1. Espagnolette type 2. Espagnolette length
3. Backset size 4. Cam height 5. Profile name and number

More Information

enquires@titon.co.uk / 01206 713801

Lockcase Dimensions



Espagnolette Details

