

# Maco Inline

## Multi-point locking systems

### For use on PVCu, timber or aluminium windows

Multipoint locking espagnolette for side hung or top hung applications with adjustable mushroom cams. Designed for profiles with eurogroove, the Maco Inline Espagnolette is available in various non-croppable lengths with two backsets and three cam heights.

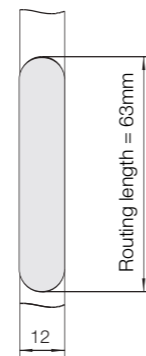
The Maco Inline Espagnolette is compatible with all standard espag handles with 43mm fixing centres with a 7mm square spindle.

### Features and Benefits

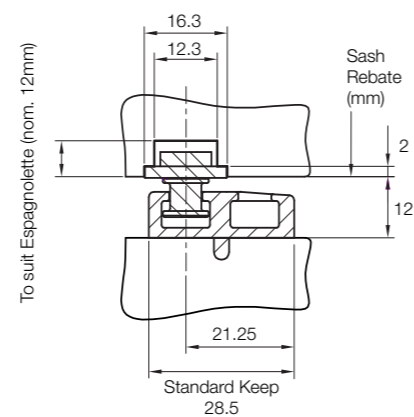
- Suitable for use on windows with a 16mm eurogroove
- Mushroom head cams aid security
- Keeps can be supplied without night-vent position
- Adjustable locking cams
- Can be fitted in either a standard or shallow a eurogroove
- 7.7, 9 or 10.5mm cam heights
- 20 and 22mm backset versions available
- Available in sizes ranging from 100mm to 1200mm
- Keeps/striker plates are profile related, please phone for suitability



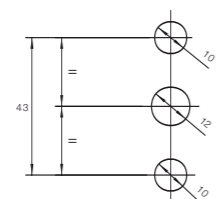
#### Lockcase Routing Detail



#### Profile Detail



#### Handle Fixing Detail



### Details

#### Maco Inline Espagnolette - 20mm backset version

Length	7.7mm mushroom height	9mm mushroom height	10.5mm mushroom height
100	MA 58486 SC	MA 58488 SC	MA 204251 SC
260	MA 58493 SC	MA 58494 SC	MA 58495 SC
400	MA 58501 SC	MA 58502 SC	MA 58500 SC
600	MA 58508 SC	MA 58509 SC	MA 58507 SC
800	MA 58515 SC	MA 58516 SC	MA 58514 SC
1000	MA 58522 SC	MA 58523 SC	MA 58521 SC
1200	MA 58528 SC	MA 58529 SC	-

#### Maco Inline Espagnolette - 22mm backset version

Length	7.7mm mushroom height	9mm mushroom height	10.5mm mushroom height
100	MA 58490 SC	MA 58492 SC	MA 204253 SC
260	MA 58496 SC	MA 58497 SC	MA 58498 SC
400	MA 58504 SC	MA 58505 SC	MA 58503 SC
600	MA 58511 SC	MA 58512 SC	MA 58510 SC
800	MA 58518 SC	MA 58519 SC	MA 58517 SC
1000	MA 58525 SC	MA 58526 SC	MA 58524 SC
1200	MA 58530 SC	MA 58531 SC	MA 204258 SC

#### Size capacity

100 to 1200mm espagnolette lengths

#### Manufactured from

Mild steel

#### Finish

Silver Chromate  
Tricoat (high corrosion resistance) also available

#### Recommended screws

Espagnolette/Shootbolt - 4mm/No.8 countersunk head  
Handle fitting - M5 Machine Screw or suitable alternative  
For Tricoat finish ensure Tricoat screws are used

#### Performance

(Full test details available on request) Conforms to BS644, BS4873 and BS 7412:2002 corrosion resistance, tested in accordance with BS EN 1670:1998

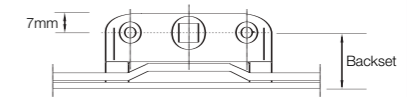
#### When ordering please specify:

1. Espagnolette type
2. Sash size (preferably espagnolette length)
3. Backset size
4. Cam size
5. Profile name and number

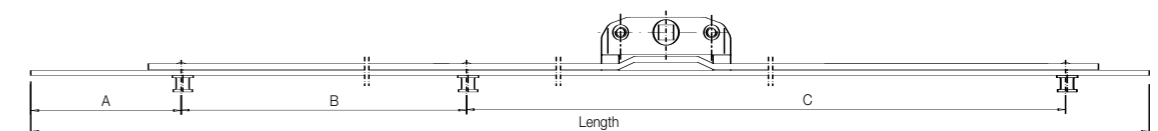
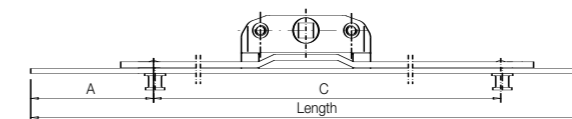
#### More information

enquiries@titon.co.uk / 01206 713801

#### Lockcase Dimensions



#### Espagnolette Dimensions



Length	BS	A - mm	B - mm	C - mm	Length	BS	A - mm	B - mm	C - mm
100	20mm	N/A	N/A	N/A	100	22mm	N/A	N/A	N/A
260	20mm	58	N/A	164	260	22mm	58	N/A	164
400	20mm	71	N/A	278	400	22mm	71	N/A	278
600	20mm	71	N/A	498	600	22mm	71	N/A	498
800	20mm	71	N/A	678	800	22mm	71	N/A	678
1000	20mm	71	294	584	1000	22mm	71	294	584
1200	20mm	71	394	684	1200	22mm	71	394	684