

Maco Offset

Multi-point locking systems

For use on PVCu, timber or aluminium windows

Multipoint locking espagnolette for side hung or top hung applications with adjustable mushroom cams. Designed for profiles with or without a eurogroove, the Maco Offset Espagnolette is available in various noncroppable lengths with two backsets and two cam heights.

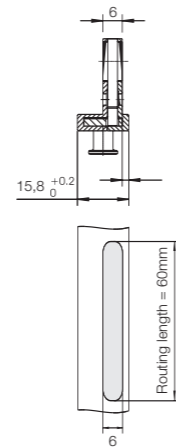
The Maco Offset Espagnolette is compatible with all standard espagnolette handles with 43mm fixing centres with a 7mm square spindle.

Features and Benefits

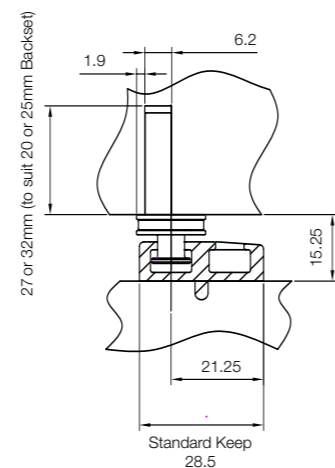
- Suitable for use on windows with or without a 16mm eurogroove
- Mushroom head cams aid security
- Keeps can be supplied without night-vent position
- Adjustable locking cams
- Can be fitted in a eurogroove
- 7.7 or 9mm cam heights
- 20 and 25mm backset versions available
- Available in sizes ranging from 310mm to 1200mm
- Keeps/striker plates are profile related, please phone for suitability



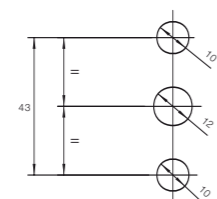
Lockcase Routing Detail



Profile Detail



Handle Fixing Detail



Details

Maco Offset Espagnolette - 20mm backset version

Length	7.7mm mushroom height	9mm mushroom height
310	MA 57151 SC	MA 57157 SC
400	MA 57152 SC	MA 57158 SC
600	MA 57153 SC	MA 57159 SC
800	MA 57154 SC	MA 57160 SC
1000	MA 57155 SC	MA 57161 SC
1200	MA 57156 SC	MA 57162 SC

Maco Offset Espagnolette - 25mm backset version

310	MA 57163 SC	MA 57169 SC
400	MA 57164 SC	MA 57170 SC
600	MA 57165 SC	MA 57171 SC
800	MA 57166 SC	MA 57172 SC
1000	MA 57167 SC	MA 57173 SC
1200	MA 57168 SC	MA 57174 SC

Size capacity

310 to 1200mm espagnolette lengths

Manufactured from

Mild steel

Finish

Silver Chromate
Tricoat (high corrosion resistance) also available

Recommended screws

Espagnolette/Shootbolt - 4mm/No.8 countersunk head
Handle fitting - M5 Machine Screw or suitable alternative
For Tricoat finish ensure Tricoat screws are used

Performance

(Full test details available on request) Conforms to BS644, BS4873 and BS 7412:2002 corrosion resistance, tested in accordance with BS EN 1670:1998

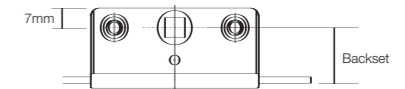
When ordering please specify:

1. Espagnolette type
2. Sash size (preferably espagnolette length)
3. Backset size
4. Cam size
5. Profile name and number

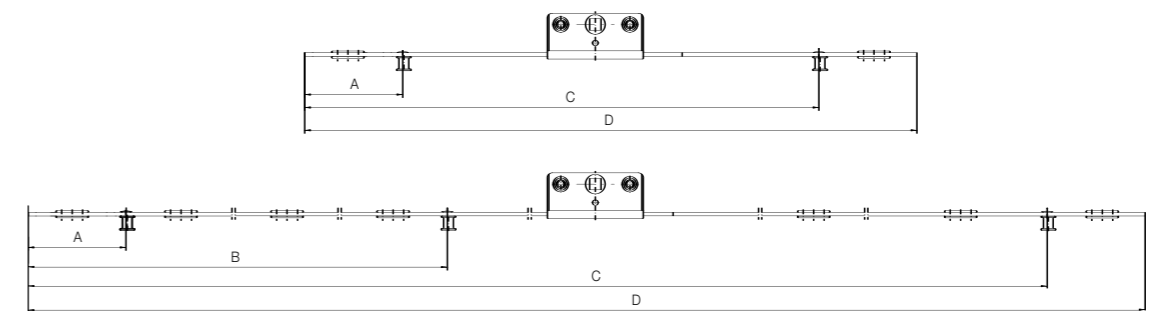
More information

enquiries@titon.co.uk / 01206 713801

Lockcase Dimensions



Espagnolette Dimensions



Length	BS	A - mm	B - mm	C - mm	D - mm
310	20mm	61	N/A	230	291
400	20mm	61	N/A	320	381
600	20mm	61	N/A	520	581
800	20mm	61	N/A	720	781
1000	20mm	61	346	920	981
1200	20mm	61	446	1120	1181

Length	BS	A - mm	B - mm	C - mm	D - mm
310	25mm	61	N/A	230	291
400	25mm	61	N/A	320	381
600	25mm	61	N/A	520	581
800	25mm	61	N/A	720	781
1000	25mm	61	346	920	981
1200	25mm	61	446	1120	1181