

Maco Mk2 Shootbolt

Multi-point security locking systems

For use on PVCu, timber or aluminium windows

Multipoint locking shootbolt espagnolette for side hung or top hung applications with adjustable shootbolts and mushroom cams, designed for profiles with eurogroove. The Maco Shootbolt Espagnolette has a separate centre lock box with locking cams and various different types of croppable and non croppable

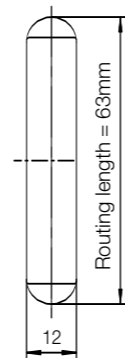
extensions with two backsets and three cam heights. The Maco Shootbolt Espagnolette is compatible with all standard espag handles with 43mm fixing centres with a 7mm square spindle and is capable of achieving BS7950. Predominately for use on PVCu profiles.



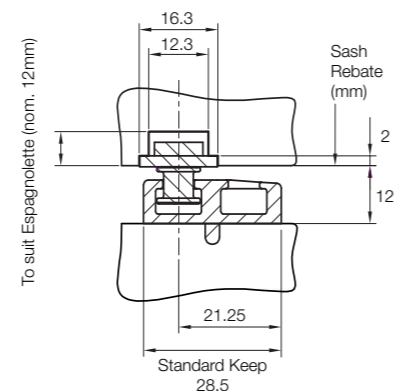
Features and Benefits

- **Designed to give greater security in line with BS 7950 and Secured By Design**
- **Suitable for use on windows with a 16mm eurogroove**
- **Integral shootbolts with selectable 10 or 13mm bolt throw**
- **Interlocking keeps for improved strength**
- **Suitable for sash rebate sizes from 500mm to 1400mm (non croppable and 382mm to 1400mm (croppable))**
- **20 or 22mm backset versions available**
- **7.7 or 9 mushroom cam heights**
- **Croppable version can be used to offer a low handle height on sash for limited access situations**
- **Blanking plug available to remove night-vent position on keep**
- **Features centre locking point**
- **Adjustable compression via mushroom headed cams**
- **Keeps / striker plates are profile related, please phone for suitability**

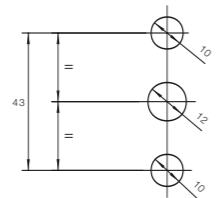
Lockcase Routing Detail



Profile Detail



Handle Fixing Detail



Details

Maco Mk2 Shootbolt Espagnolette - rapid fix non croppable lock box

Lock box	Mushrooms	7.7mm mushroom height	9mm mushroom height
20mm Backset	2	MA11033SC	MA11035SC
22mm Backset	2	MA11034SC	MA11037SC

Other croppable codes on request

Maco Mk2 Shootbolt Espagnolette - rapid fix non croppable extension pieces

Extension pieces to suit sash rebate size	Size	Mushrooms per extension	7.7mm mushroom height	9mm mushroom height
500-600	Gr.1	0	MA58140SC	MA58140SC
601-700	Gr.2	1	MA58141SC	MA58149SC
701-800	Gr.3	1	MA58142SC	MA58150SC
801-900	Gr.4	1	MA58143SC	MA58151SC
901-1000	Gr.5	1	MA58144SC	MA58152SC
1001-1100	Gr.6	1	MA58145SC	MA58153SC
1101-1200	Gr.7	1	MA58146SC	MA58154SC
1201-1300	Gr.8	1	MA58147SC	MA58155SC
1301-1400	Gr.9	1	MA58148SC	MA58156SC
250mm extension piece	-	1	MA11804SC	MA101530SC
400-600mm extension piece	-	1	MA206508SC	MA206509SC

Size capacity

500 - 1400mm sash rebate size
250mm extension available
400 to 600mm extension available

Manufactured from

Mild steel

Finish

Silver Chromate
Tricoat (high corrosion resistance) also available

Recommended screws

Espagnolette/Shootbolt - 4mm/No.8 countersunk head
Handle fitting - M5 Machine Screw or suitable alternative
For Tricoat finish ensure Tricoat screws are used

Performance

(Full test details available on request) Conforms to BS644, BS4873 and BS 7412:2002 corrosion resistance, tested in accordance with BS EN 1670:1998

When ordering please specify:

1. Espagnolette type
2. Sash rebate size
3. Backset size
4. Cam size
5. Profile name and number

More information

enquiries@titon.co.uk / 01206 713801

Shootbolt (Non Croppable) Detail

