

**No. 05/03**

Date: 20.03.2003

By: Petita Wiles

MACO
ESPAGS
ESPAGNOLETTES

MACH II Shootbolt Espagnolette Centre Locking for Top Hung Windows

Reason: We are pleased to announce the addition of new extensions for use with the MACH

II Croppable gearbox. The new extensions allow large top hung windows to benefit from an additional locking point on the side of the sash between the hinge and the shootbolt.

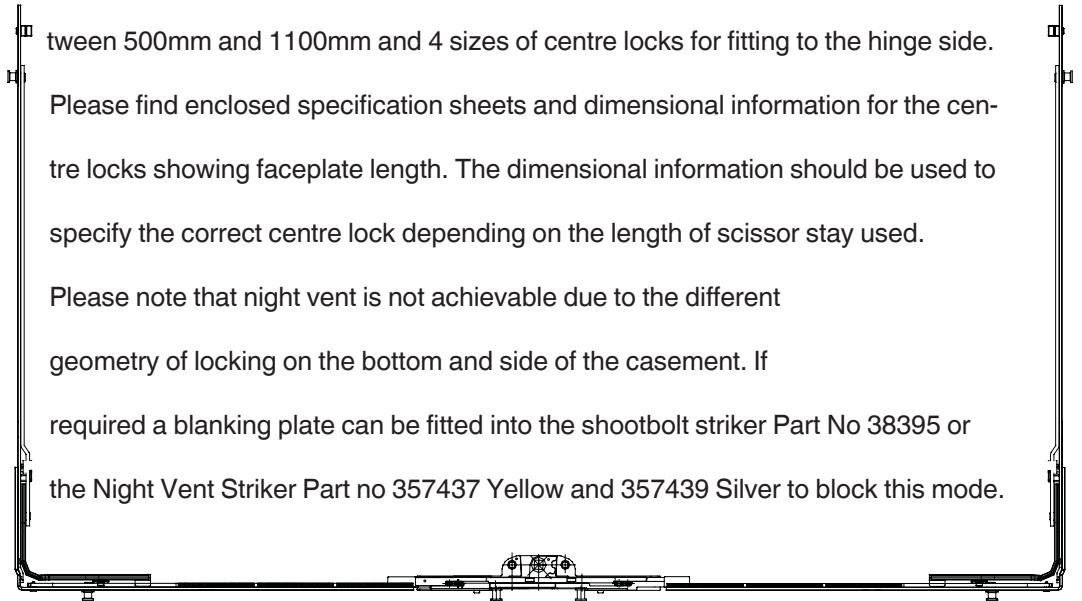
The range consists of 2 shootbolt extensions covering a sash rebate width of between 500mm and 1100mm and 4 sizes of centre locks for fitting to the hinge side.

Please find enclosed specification sheets and dimensional information for the centre locks showing faceplate length. The dimensional information should be used to specify the correct centre lock depending on the length of scissor stay used.

Please note that night vent is not achievable due to the different geometry of locking on the bottom and side of the casement. If

required a blanking plate can be fitted into the shootbolt striker Part No 38395 or

the Night Vent Striker Part no 357437 Yellow and 357439 Silver to block this mode.

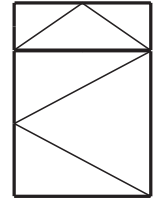
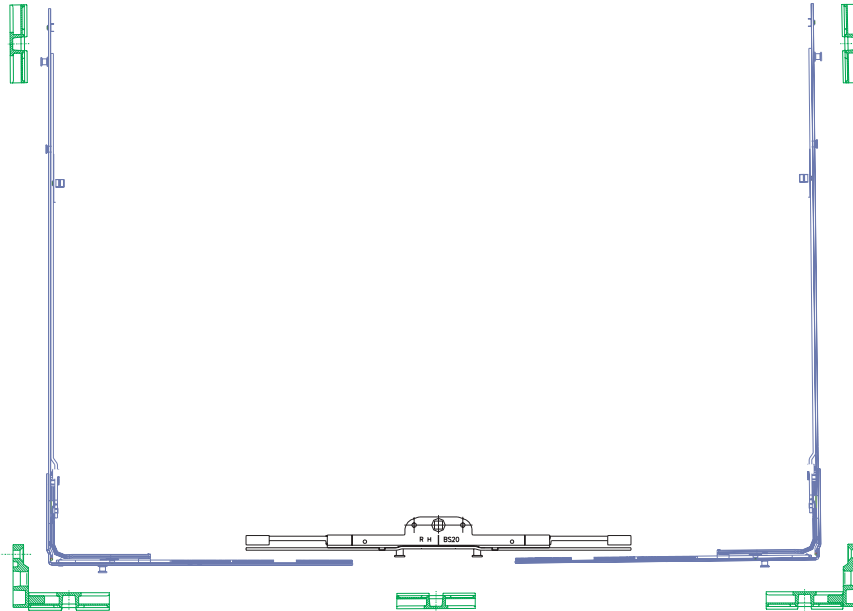


Specification: Mach II Shootbolt Espagnolettes

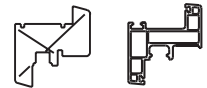
Availability: ex stock Maco UK



Top Hung Windows Profile :



**MACO Espagnolette
Fittings**



Date: 12.10.00

Size	Sash Rebate Width (mm)	Mushrooms Per Extension	7.7		9.0	
			Yellow	Silver	Yellow	Silver
Gr. 1 Gr. 2	Centre Locks for Top Hung 500 - 800	1	59943	220229	59946	220232
	801 - 1100	1	59944	220230	59947	220233
Gr. 300 Gr. 00 Gr. 0 Gr.1	Extensions for Top Hung	1	204247	205961	204248	
		1	220026	220029	220032	220035
		1	220027	220030	220033	220036
		1	220028	220031	220034	220037
	Night Vent Striker					
	Shootbolt Striker RH					
	Shootbolt Striker LH					

**No. 28/06**

Date: 10.10.2006

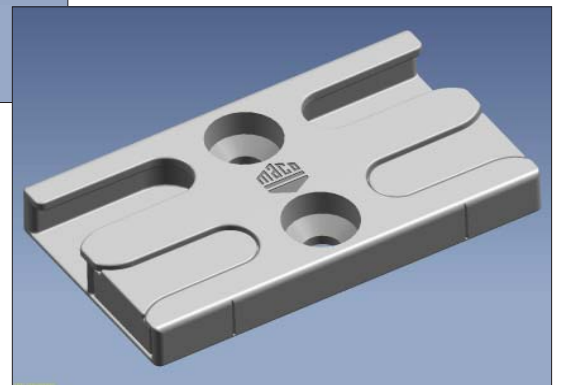
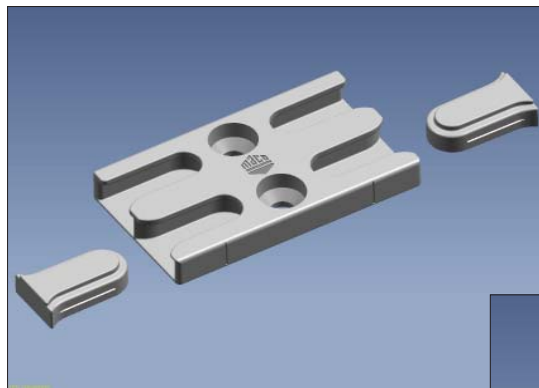
By: Petita Wiles

**MACO
ESPAGS** New Mushroom Blanking Plate

Reason: We have received several requests for a blanking plate to go with the night vent mushroom striker plates, so we are pleased to announce their introduction.

The blanking plate simply pushes into the night vent position on the striker plate preventing the mushroom cams from engaging into the striker plates. For a more permanent fixing the blanking plates can be glued into position.

Available in both yellow and silver plastic and boxed in 100's the mushroom blanking plate is now available to order with a lead time of 4-6 weeks.



Part Number: 357437 Yellow
357439 Silver

Specification: Maco Espagnolettes, Maco RAIL Espanolettes

Availability: On order

Packaging: 100 per box