

Maco R.A.I.L. and R.A.I.L. Reach Multi-point locking systems

For use on PVCu, timber or aluminium windows

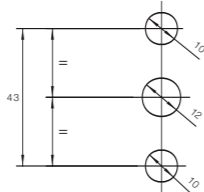
Multipoint locking espagnolette for side hung or top hung applications with adjustable mushroom cams, designed for profiles with eurogroove. Available in a range of lengths with two backsets and three

cam heights. The Maco R.A.I.L. Espagnolette is compatible with all standard espag handles with 43mm fixing centres with a 7mm square spindle and is capable of achieving BS7950.



Maco R.A.I.L. Reach
Maco R.A.I.L.

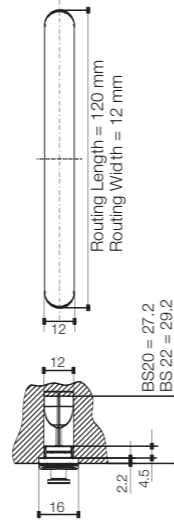
Handle Fixing Detail



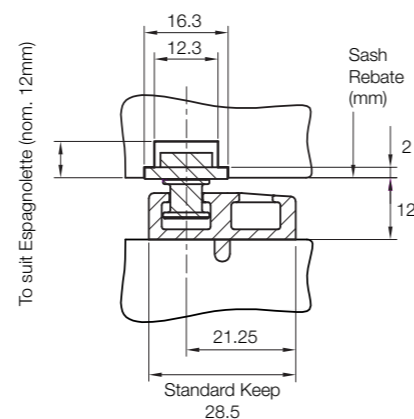
Features and Benefits

- Reverse action locking system which clamps to both sides of the striker plate
- Designed for BS7950 security windows
- No shootbolt required
- Fits into eurogroove
- R.A.I.L. Reach version available for low handle height situations
- 7.7, 9 or 10.5mm cam heights
- 20 and 22mm backset versions available
- Available in sizes ranging from 200mm to 1200mm

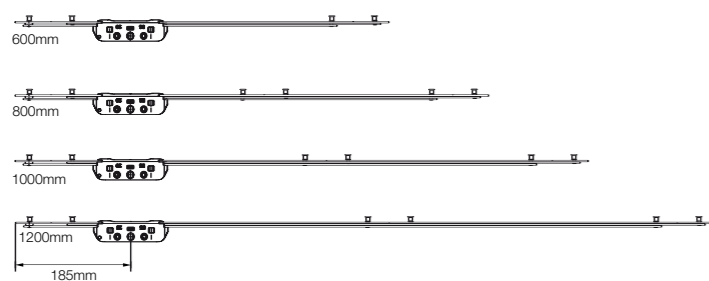
Lockcase Routing Detail



Profile Detail



R.A.I.L. Reach Espagnolette Dimensions



Details

Maco R.A.I.L. Espagnolette - 20mm backset version

Length	7.7mm mushroom height	9mm mushroom height	10.5mm mushroom height
200	MA202693SC	MA202705SC	MA202691SC
400	MA202694SC	MA202706SC	MA202690SC
600	MA202695SC	MA202707SC	MA202689SC
800	MA202696SC	MA202708SC	MA202688SC
1000	MA202697SC	MA202709SC	MA202687SC
1200	MA202698SC	MA202710SC	MA202686SC

Maco R.A.I.L. Espagnolette - 22mm backset version

200	MA202699SC	MA202711SC	MA202685SC
400	MA202700SC	MA202712SC	MA202684SC
600	MA202701SC	MA202713SC	MA202683SC
800	MA202702SC	MA202714SC	MA202682SC
1000	MA202703SC	MA202715SC	MA202681SC
1200	MA202704SC	MA202716SC	MA202679SC

Maco R.A.I.L. Reach Espagnolette - 20mm backset version

600	MA206827SC	MA206837SC	-
800	MA206828SC	MA206838SC	-
1000	MA206829SC	MA206839SC	-
1200	MA206830SC	MA206840SC	-

Maco R.A.I.L. Reach Espagnolette - 22mm backset version

600	MA206831SC	MA206842SC	-
800	MA206832SC	MA206844SC	-
1000	MA206835SC	MA206845SC	-
1200	MA206836SC	MA206846SC	-

Size capacity

200 to 1200mm espagnolette lengths (standard)
600 to 1200mm espagnolette lengths (Reach).

Manufactured from

Mild steel

Finish

Silver Chromate
Tricoat (high corrosion resistance) also available

Recommended screws

Espagnolette/Shootbolt - 4mm/No.8 countersunk head
Handle fitting - M5 Machine Screw or suitable alternative
For Tricoat finish ensure Tricoat screws are used

Performance

(Full test details available on request) Conforms to BS644, BS4873 and BS 7412:2002 corrosion resistance, tested in accordance with BS EN 1670:1998

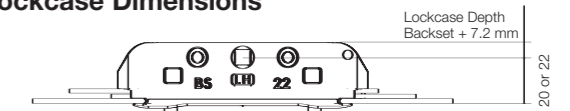
When ordering please specify:

1. Espagnolette type
2. Sash size (preferably espagnolette length)
3. Backset size
4. Cam size
5. Profile name and number

More information

enquiries@titon.co.uk / 01206 713801

Lockcase Dimensions



R.A.I.L. Espagnolette Dimensions

