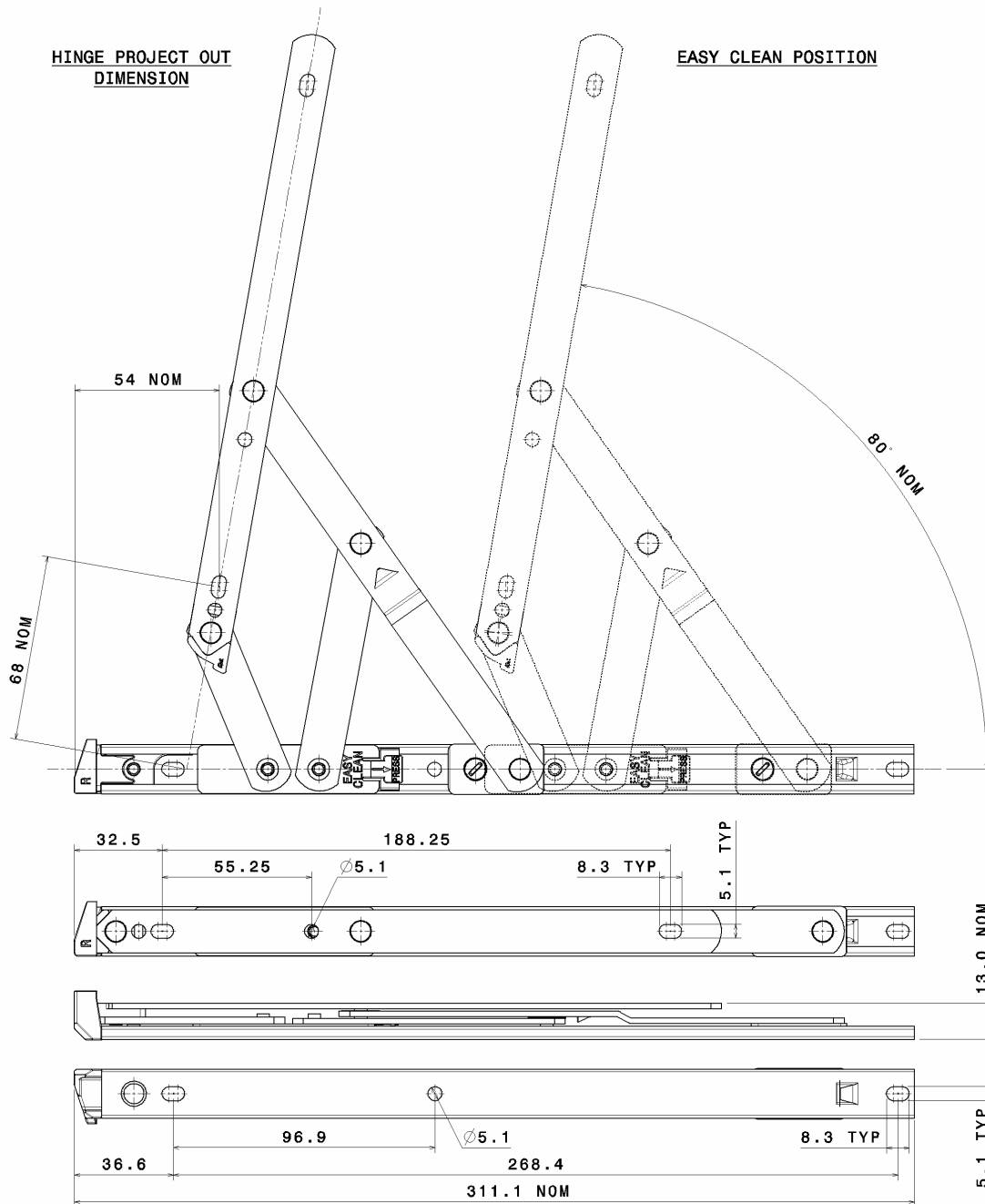


HINGES

ASSEMBLY SHEET - EDSE12 Side Hung Easy Clean Hinge



Hinge Code	Max. Vent Weight (Kg)	Min. Vent Width (mm)	Max. Vent Width (mm)	Max. Vent Height (mm)	Hardware Cavity (mm)
EDSE12	22	300	600	See profile manufacturers recommendations	13 - 14

Not to Scale, All dimensions in mm

It is the responsibility of the user to ensure that this document is at the latest issue.

Due to our policy of continual product improvement we reserve the right to alter specifications without notice.

It is the responsibility of the window manufacturer to ensure that the finished window meets the required performance and safety specification.



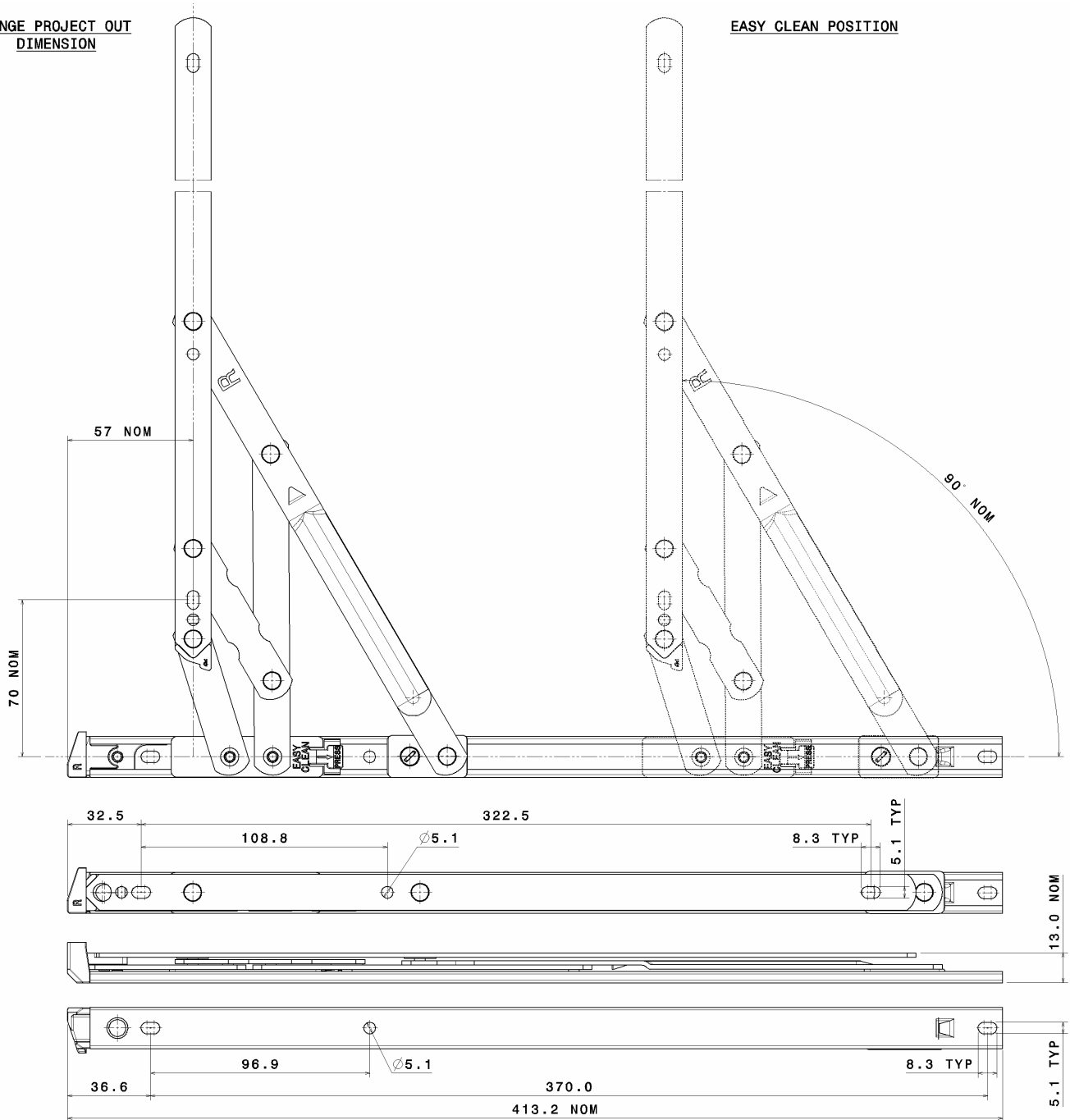
Securistyle Ltd.
Kingsmead Industrial Estate
Princess Elizabeth Way, Cheltenham,
Gloucestershire, GL51 7RE
Tel: +44 (0) 1242 221200
Fax: +44 (0) 1242 520828
Web: www.securistyle.co.uk

HINGES

ASSEMBLY SHEET - EDSE16 Side Hung Egress/Easy Clean Hinge

HINGE PROJECT OUT
DIMENSION

EASY CLEAN POSITION



Hinge Code	Max. Vent Weight (Kg)	Min. Vent Width (mm)	Max. Vent Width (mm)	Max. Vent Height (mm)	Hardware Cavity (mm)
EDSE16	24	400	700	See profile manufacturers recommendations	13 - 14

Not to Scale, All dimensions in mm

It is the responsibility of the user to ensure that this document is at the latest issue.

Due to our policy of continual product improvement we reserve the right to alter specifications without notice.

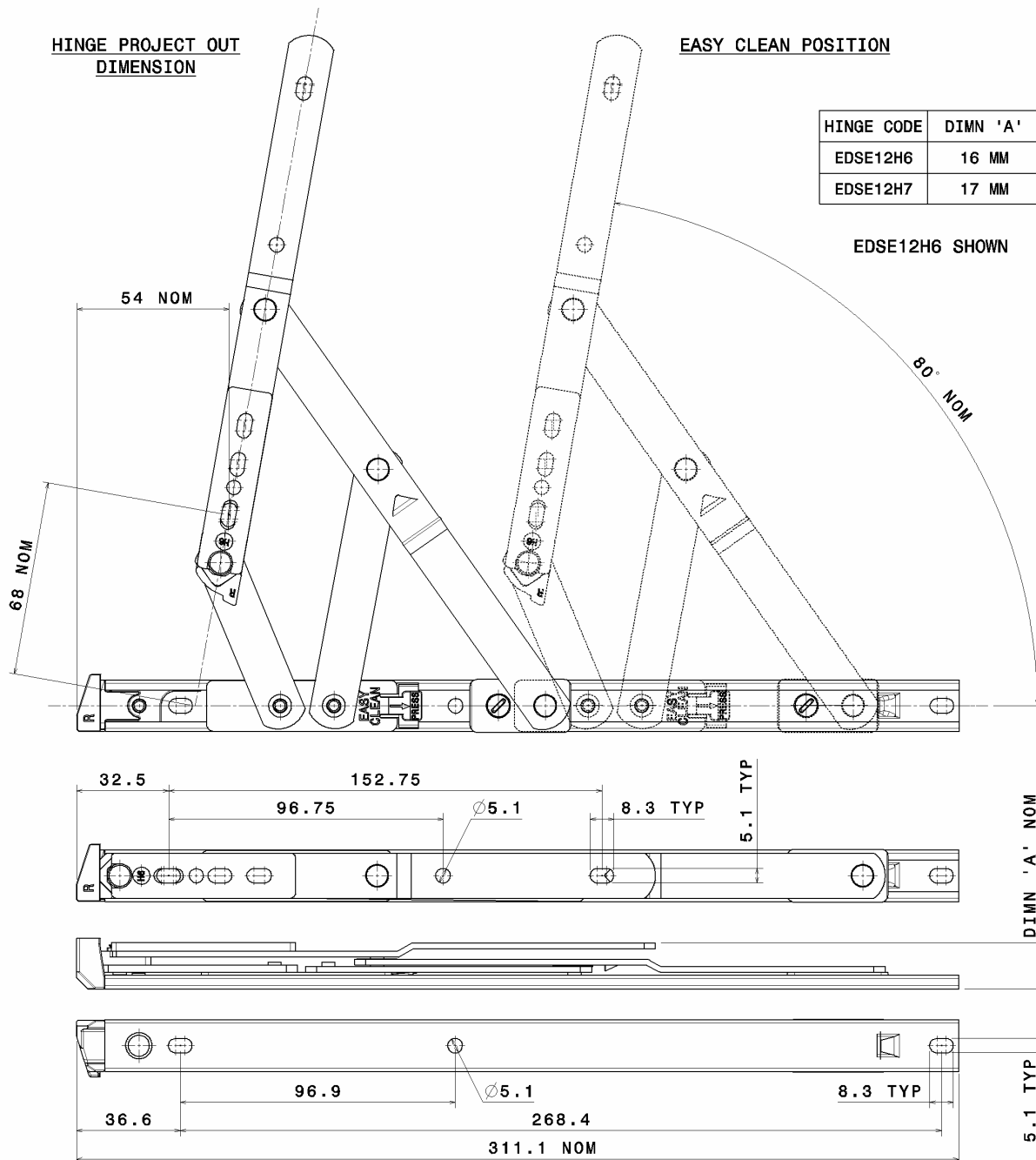
It is the responsibility of the window manufacturer to ensure that the finished window meets the required performance and safety specification.



Securistyle Ltd.
Kingsmead Industrial Estate
Princess Elizabeth Way, Cheltenham,
Gloucestershire, GL51 7RE
Tel: +44 (0) 1242 221200
Fax: +44 (0) 1242 520828
Web: www.securistyle.co.uk

HINGES

ASSEMBLY SHEET - EDSE12H6/H7 Side Hung Easy Clean Highline Hinges



Hinge Code	Max. Vent Weight (Kg)	Min. Vent Width (mm)	Max. Vent Width (mm)	Max. Vent Height (mm)	Hardware Cavity (mm)
EDSE12H6/H7	22	300	600	See profile manufacturers recommendations	"A" +1/-0

Not to Scale, All dimensions in mm

It is the responsibility of the user to ensure that this document is at the latest issue.

Due to our policy of continual product improvement we reserve the right to alter specifications without notice.

It is the responsibility of the window manufacturer to ensure that the finished window meets the required performance and safety specification.



Securistyle Ltd.
 Kingsmead Industrial Estate
 Princess Elizabeth Way, Cheltenham,
 Gloucestershire, GL51 7RE
 Tel: +44 (0) 1242 221200
 Fax: +44 (0) 1242 520828
 Web: www.securistyle.co.uk

HINGES

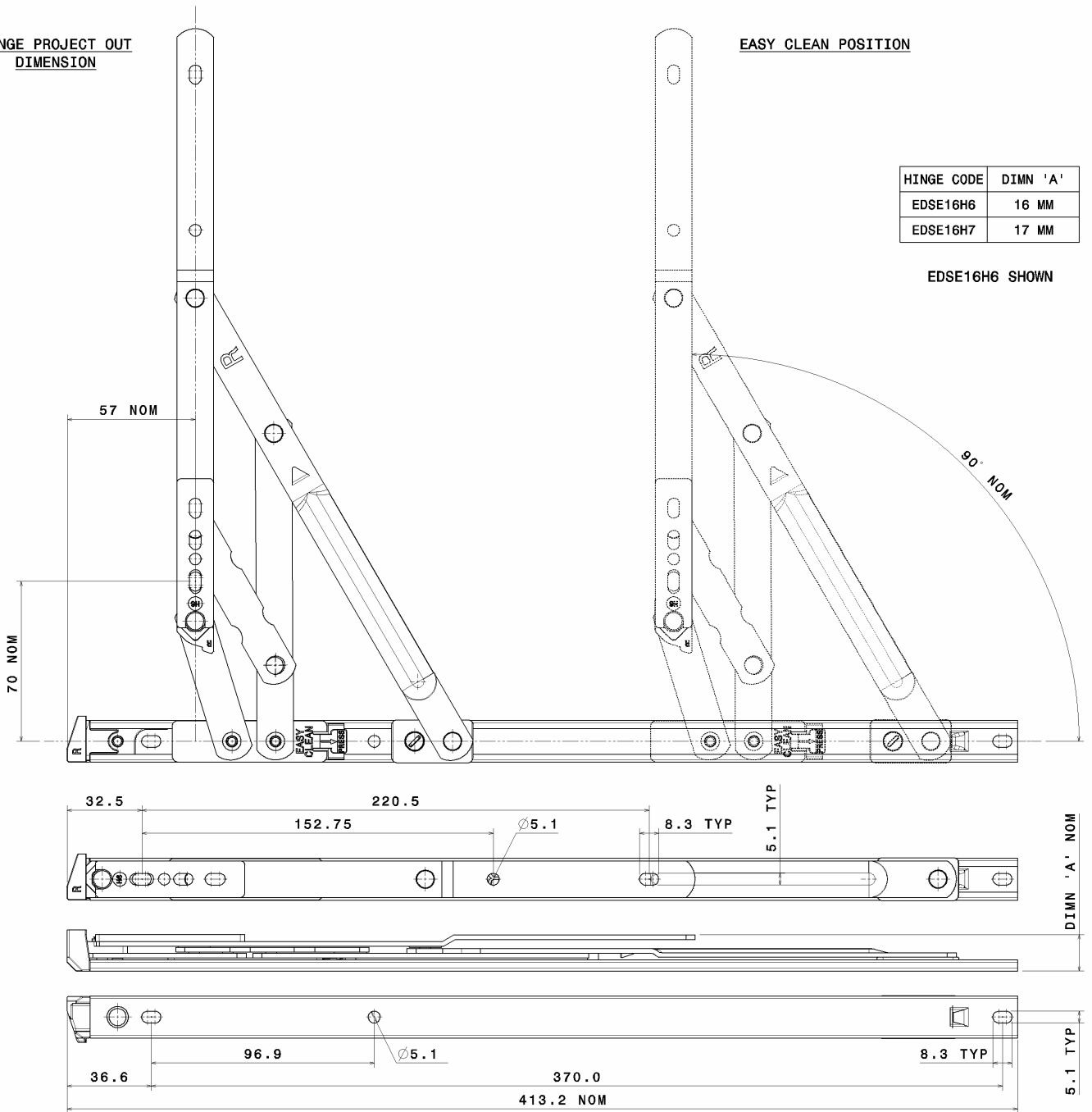
ASSEMBLY SHEET - EDSE16H6/H7 Side Hung Egress/Easy Clean Highline Hinges

HINGE PROJECT OUT
DIMENSION

EASY CLEAN POSITION

HINGE CODE	DIMN 'A'
EDSE16H6	16 MM
EDSE16H7	17 MM

EDSE16H6 SHOWN



Hinge Code	Max. Vent Weight (Kg)	Min. Vent Width (mm)	Max. Vent Width (mm)	Max. Vent Height (mm)	Hardware Cavity (mm)
EDSE16H6/H7	24	400	700	See profile manufacturers recommendations	"A" +1/-0

Not to Scale, All dimensions in mm

It is the responsibility of the user to ensure that this document is at the latest issue.

Due to our policy of continual product improvement we reserve the right to alter specifications without notice.

It is the responsibility of the window manufacturer to ensure that the finished window meets the required performance and safety specification.



Securistyle Ltd.
Kingsmead Industrial Estate
Princess Elizabeth Way, Cheltenham,
Gloucestershire, GL51 7RE
Tel: +44 (0) 1242 221200
Fax: +44 (0) 1242 520828
Web: www.securistyle.co.uk