

Sobinco Luna

Fully reversible pivot hinge

For use on PVCu or aluminium windows

Pivots for horizontal and vertical applications will carry up to 180kg (horizontal) and 120kg (vertical). Profile specific, available restricted with various degrees of restriction to allow maximum restriction to 100mm on all sash sizes also unrestricted versions available. Allows the sash to

fully reverse and lock out for cleaning outside face internally. All restrictors are located on the front face and have automatic restriction engagement / re-engagement also available with key operation. The push button restrictor is designed to be child resistant.

Features and Benefits

- For horizontally or vertically pivoted sections
- Available with integral automatic restrictor with stop at 10 or 15 degree and automatically engaging reverse stop at 170 degrees
- Restrictor design reduces risk of accidental operation
- Restrictor on front face of pivot for easy access
- Pivot design is profile related
- Adjustable friction mechanism
- Demountable or non-demountable versions
- Integral skirts and sealed angular legs for optimum weathering
- Key operated restrictor available
- Elongated fixing holes for adjustment during installation
- Pivot compatibility design service for new profiles



Closed position



Fully reversed position



Size capacity

Maximum sash weight:
Horizontal – 180Kg
Vertical – 120Kg

Manufactured from

Aluminium alloy

Recommended screws

Dependent on window profile

Performance

Tested in accordance with DD CEN/TS 13126-9:2004 and BS 6375 Part 2:2004

More information

enquiries@titon.co.uk / 01206 713801



Closed



Restricted



Reversed



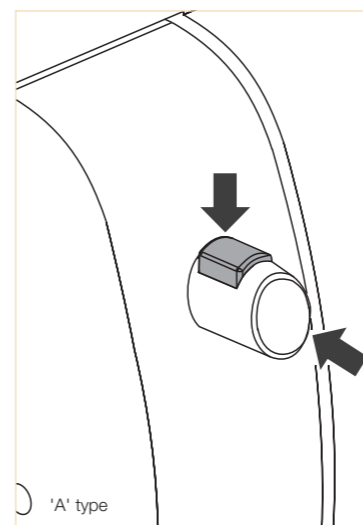
'A' type restrictor



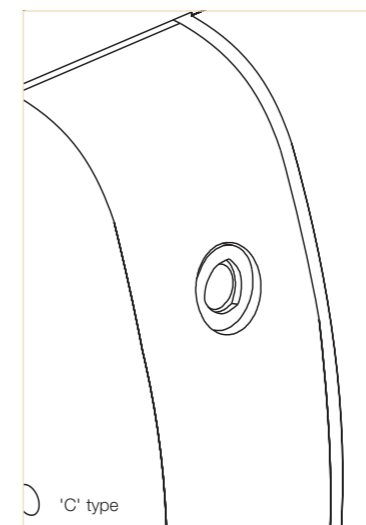
'C' type (key) restrictor



'C' type key



'A' type



'C' type