

ANCILLARY DEVICES

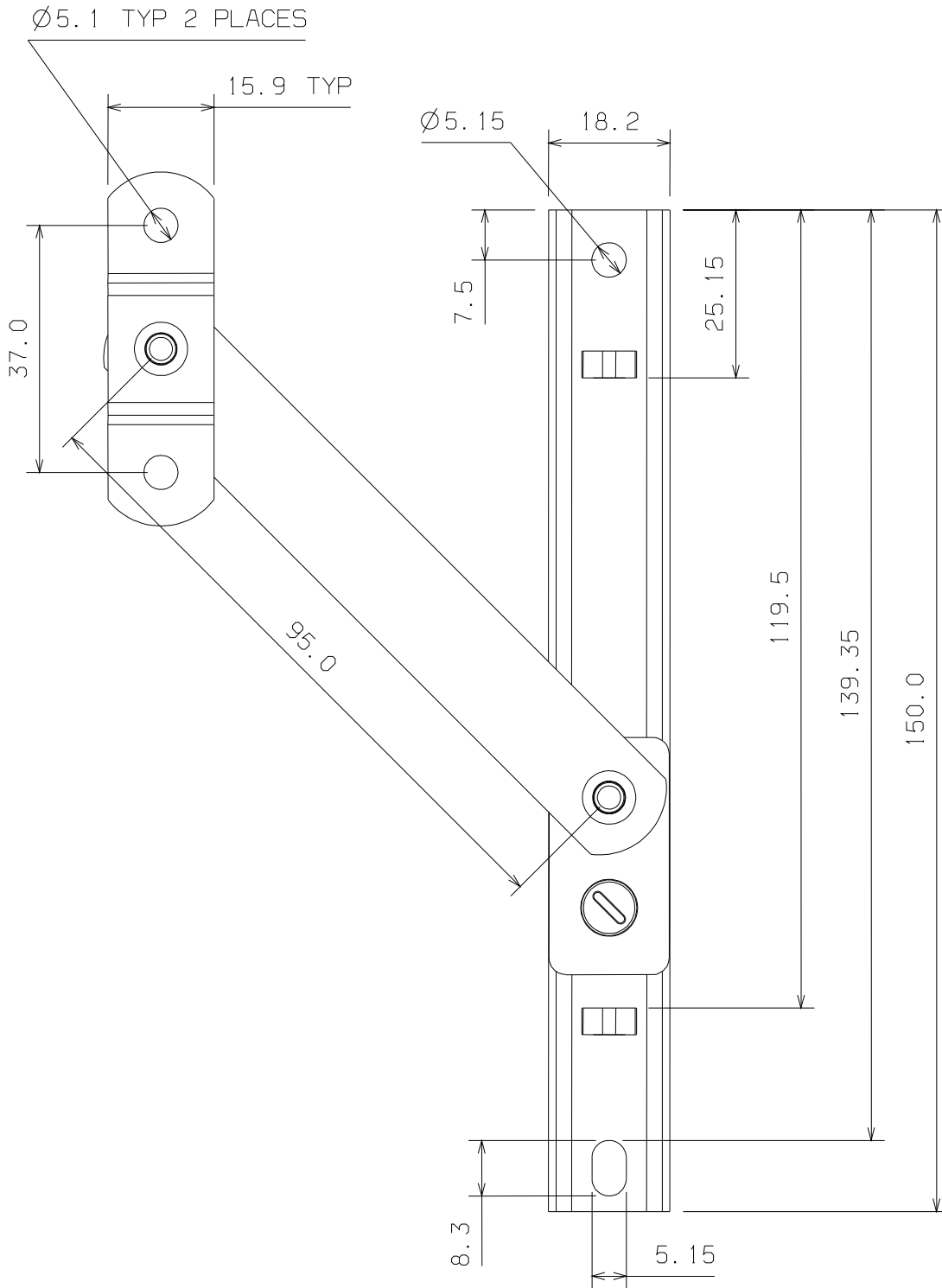
RESTRICTOR STAYS

SECTION 2.4 SHEET 1 of 11

ISSUE: May, 2003

ASSEMBLY SHEET - RS4

Restrictor Stay



Not to Scale, All dimensions in mm

It is the responsibility of the user to ensure that this document is at the latest issue.

Due to our policy of continual product improvement we reserve the right to alter specifications without notice.

It is the responsibility of the window manufacturer to ensure that the finished window meets the required performance and safety specification.

© SECURISTYLE LTD 2003



Securistyle Ltd.
Kingsmead Industrial Estate
Princess Elizabeth Way, Cheltenham,
Gloucestershire, GL51 7RE
Tel: +44 (0) 1242 221200
Fax: +44 (0) 1242 520828
Web: www.securistyle.co.uk

ANCILLARY DEVICES

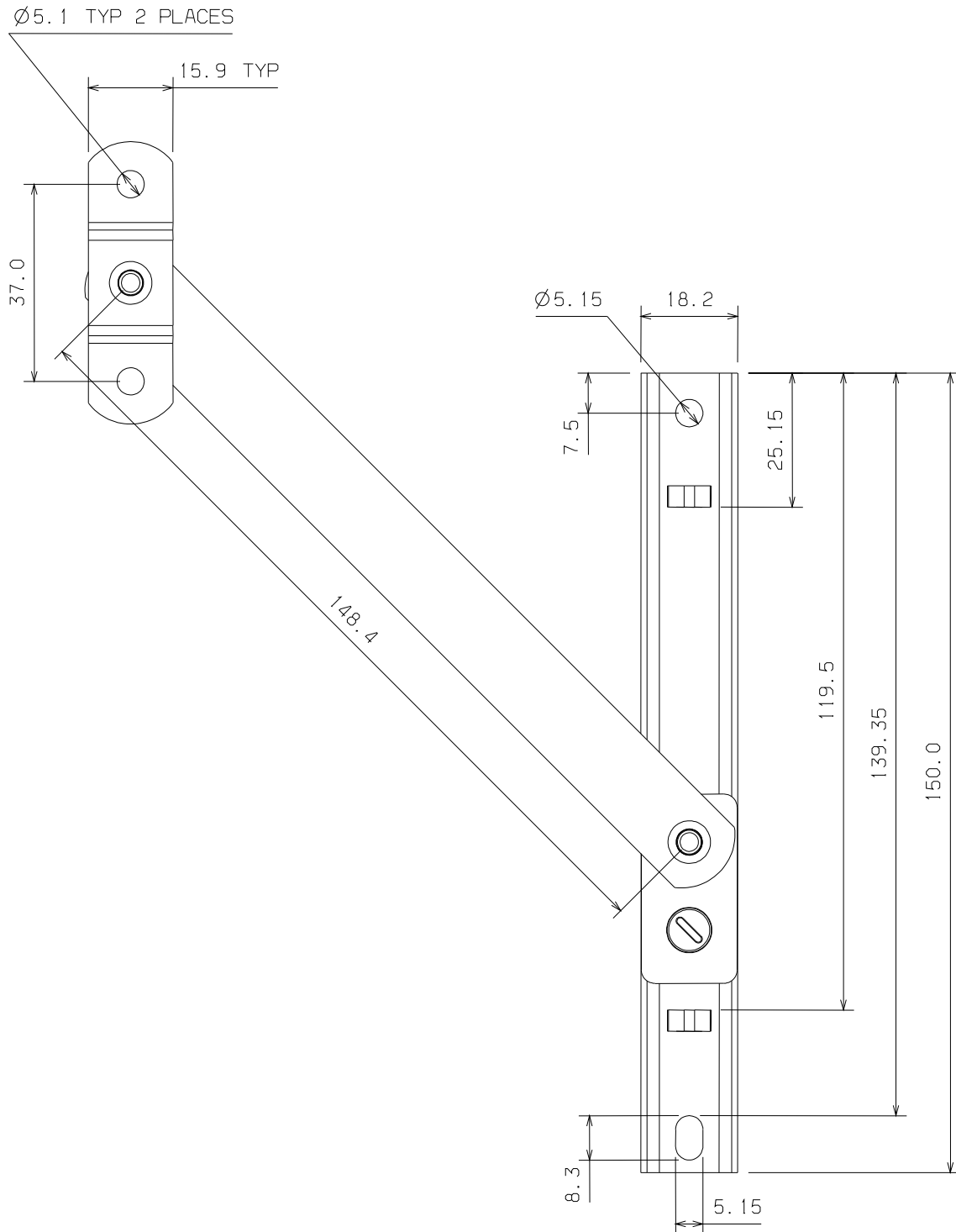
RESTRICTOR STAYS

SECTION 2.4 SHEET 2 of 11

ISSUE: May, 2003

ASSEMBLY SHEET - RS6

Restrictor Stay



Not to Scale, All dimensions in mm

It is the responsibility of the user to ensure that this document is at the latest issue.

Due to our policy of continual product improvement we reserve the right to alter specifications without notice.

It is the responsibility of the window manufacturer to ensure that the finished window meets the required performance and safety specification.

© SECURISTYLE LTD 2003



Securistyle Ltd.
Kingsmead Industrial Estate
Princess Elizabeth Way, Cheltenham,
Gloucestershire, GL51 7RE
Tel: +44 (0) 1242 221200
Fax: +44 (0) 1242 520828
Web: www.securistyle.co.uk

ANCILLARY DEVICES

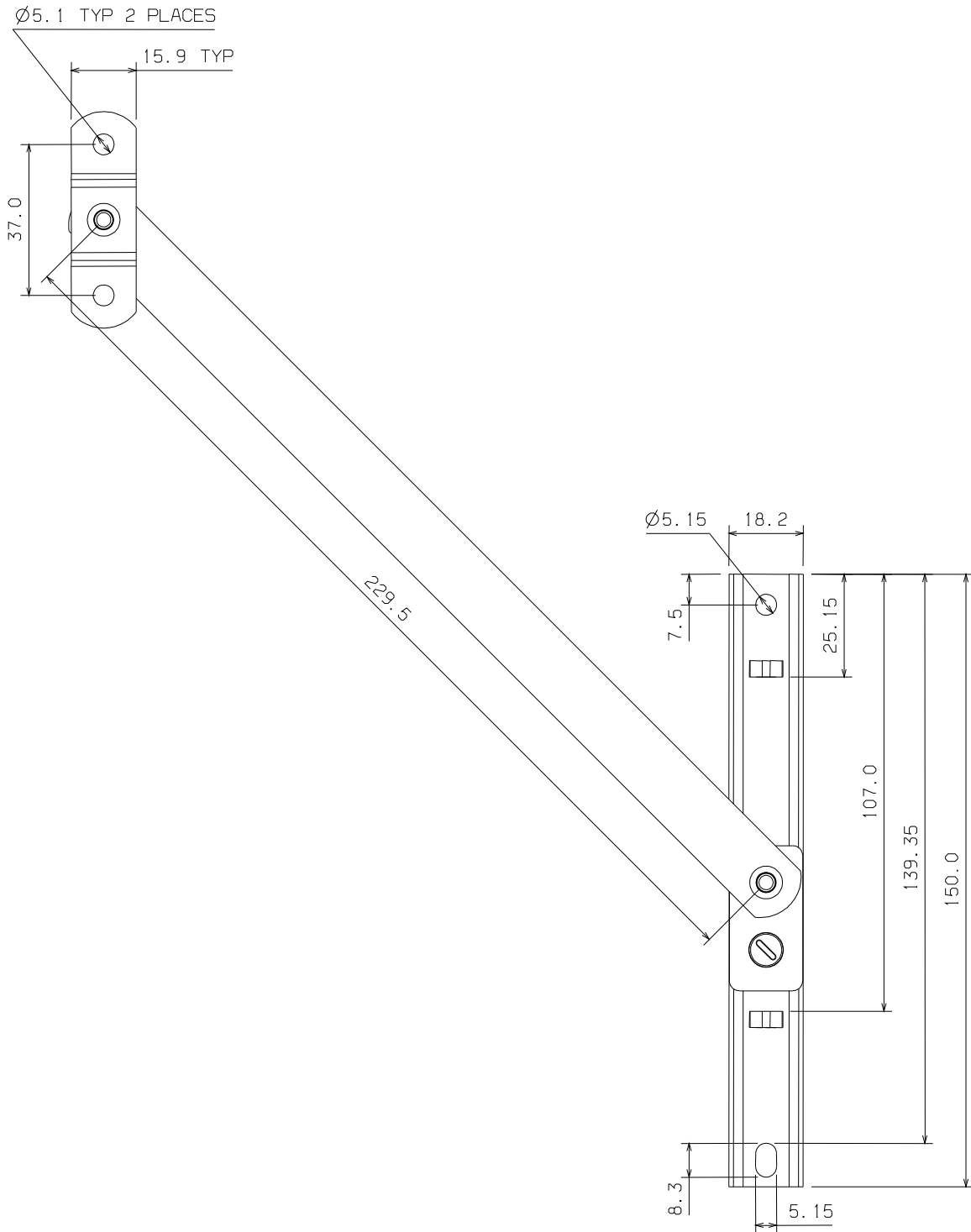
RESTRICTOR STAYS

SECTION 2.4 SHEET 3 of 11

ISSUE: May, 2003

ASSEMBLY SHEET - RS9

Restrictor Stay



Not to Scale, All dimensions in mm

It is the responsibility of the user to ensure that this document is at the latest issue.

Due to our policy of continual product improvement we reserve the right to alter specifications without notice.

It is the responsibility of the window manufacturer to ensure that the finished window meets the required performance and safety specification.

© SECURISTYLE LTD 2003

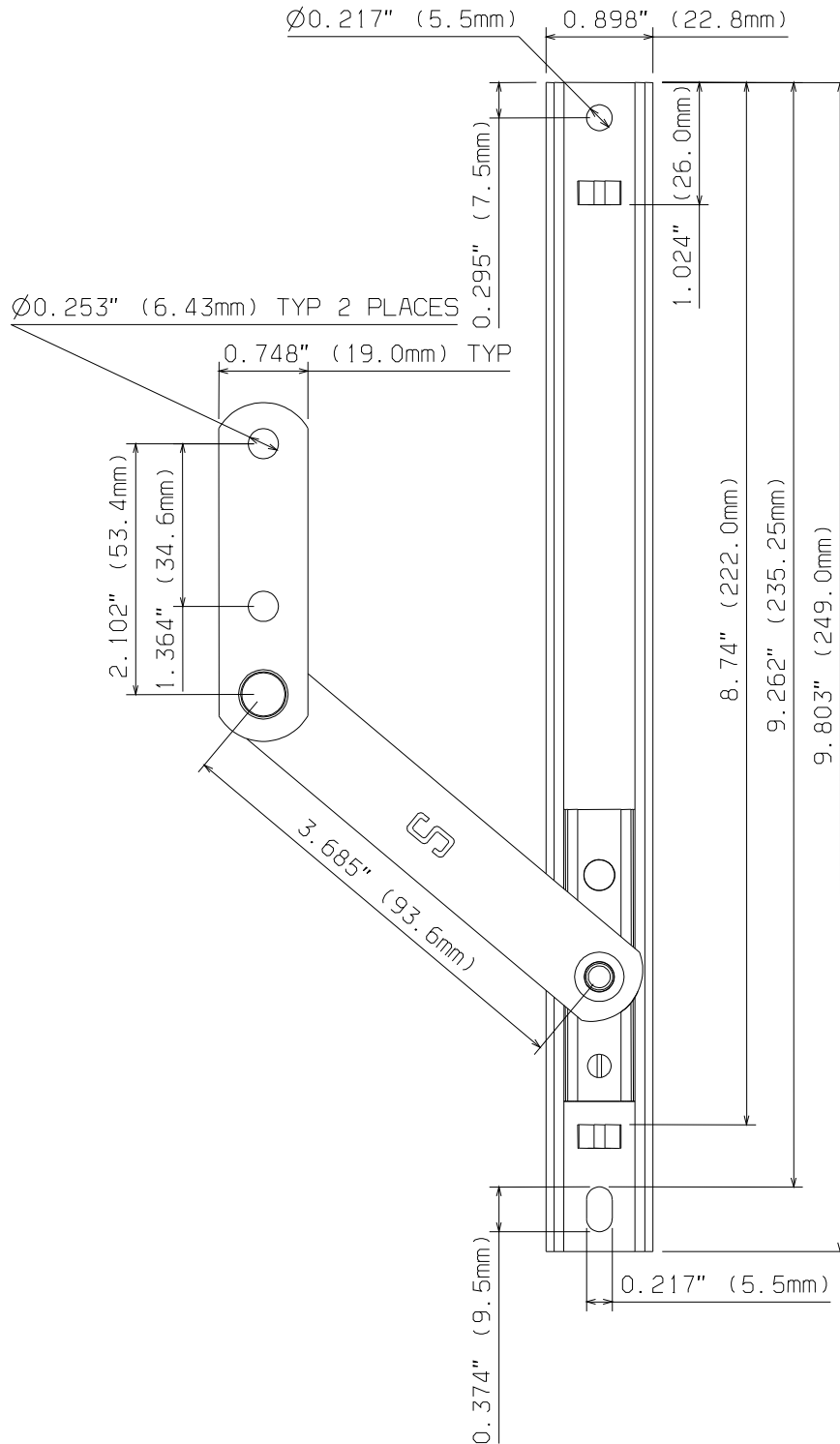


Securistyle Ltd.
Kingsmead Industrial Estate
Princess Elizabeth Way, Cheltenham,
Gloucestershire, GL51 7RE
Tel: +44 (0) 1242 221200
Fax: +44 (0) 1242 520828
Web: www.securistyle.co.uk

ANCILLARY DEVICES

ASSEMBLY SHEET - SR4

Restrictor Stay



Not to Scale, All dimensions in inches & mm

It is the responsibility of the user to ensure that this document is at the latest issue.

Due to our policy of continual product improvement we reserve the right to alter specifications without notice.

It is the responsibility of the window manufacturer to ensure that the finished window meets the required performance and safety specification.



ANCILLARY DEVICES

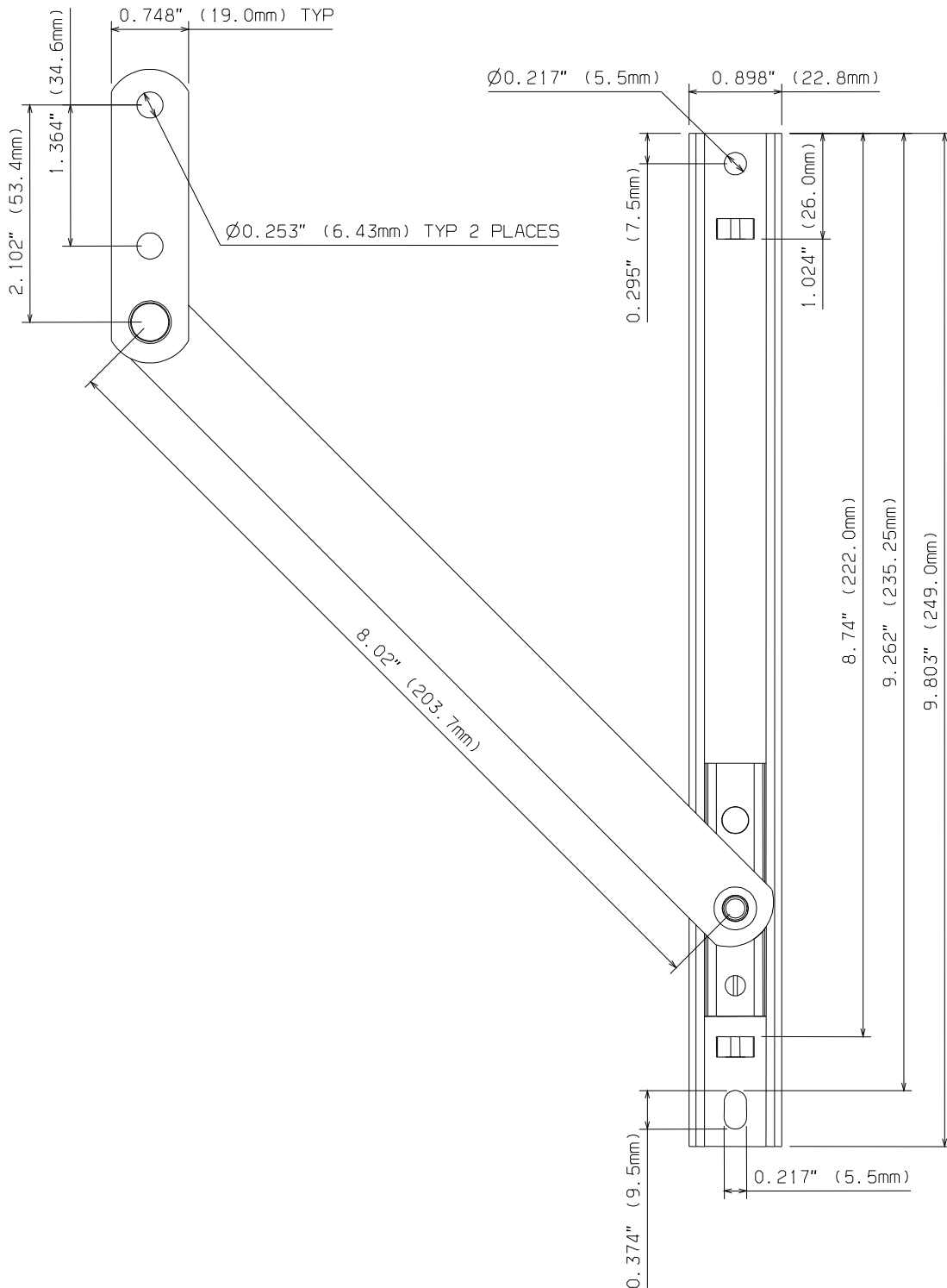
RESTRICTOR STAYS

SECTION 2.4 SHEET 5 of 11

ISSUE: May, 2003

ASSEMBLY SHEET - SR8

Restrictor Stay



Not to Scale, All dimensions in inches & mm

It is the responsibility of the user to ensure that this document is at the latest issue.

Due to our policy of continual product improvement we reserve the right to alter specifications without notice.

It is the responsibility of the window manufacturer to ensure that the finished window meets the required performance and safety specification.

© SECURISTYLE LTD 2003

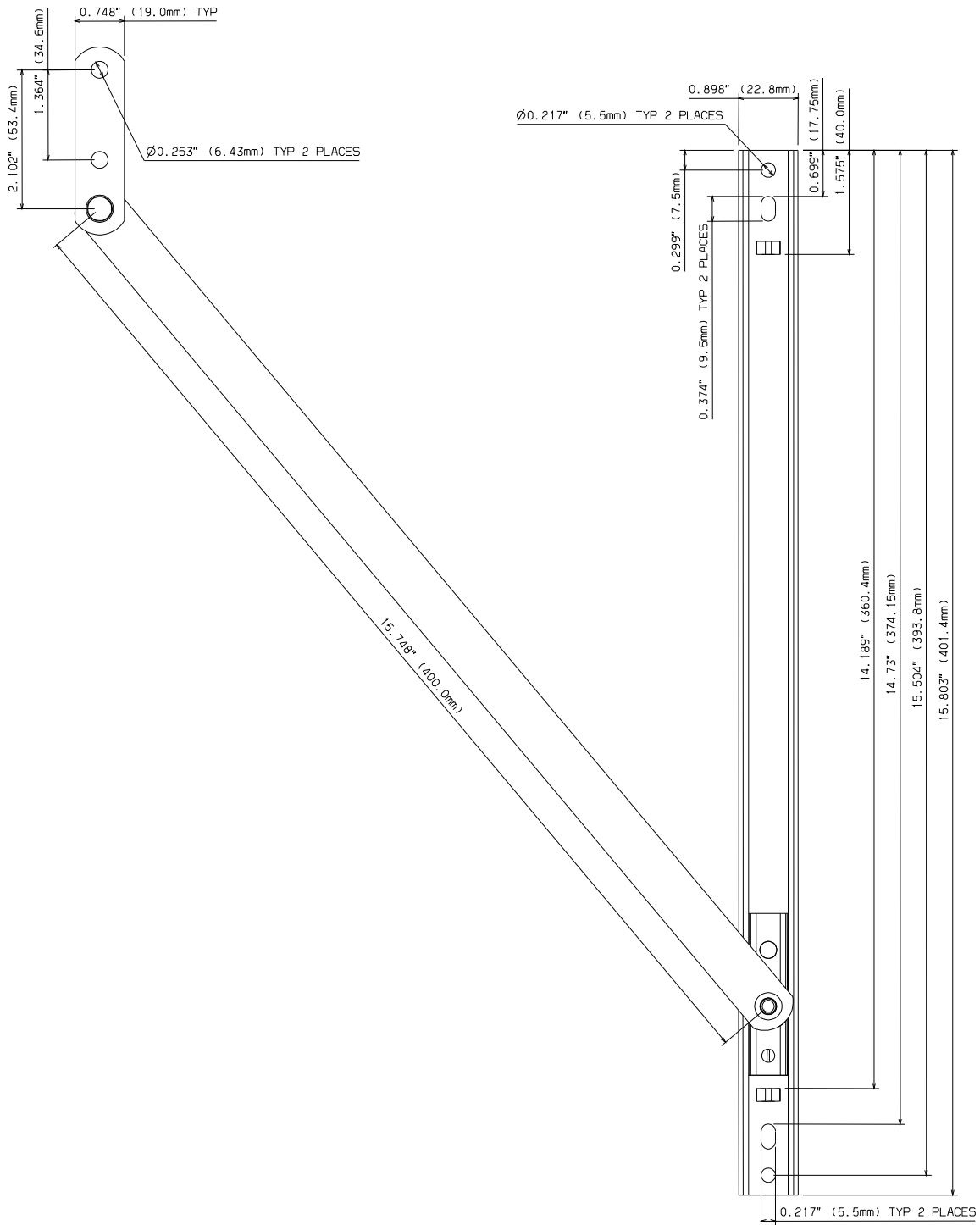


Securistyle Ltd.
Kingsmead Industrial Estate
Princess Elizabeth Way, Cheltenham,
Gloucestershire, GL51 7RE
Tel: +44 (0) 1242 221200
Fax: +44 (0) 1242 520828
Web: www.securistyle.co.uk

ANCILLARY DEVICES

ASSEMBLY SHEET - SR16E

Restrictor Stay



Not to Scale, All dimensions in inches & mm

It is the responsibility of the user to ensure that this document is at the latest issue.

Due to our policy of continual product improvement we reserve the right to alter specifications without notice.

It is the responsibility of the window manufacturer to ensure that the finished window meets the required performance and safety specification.



ANCILLARY DEVICES

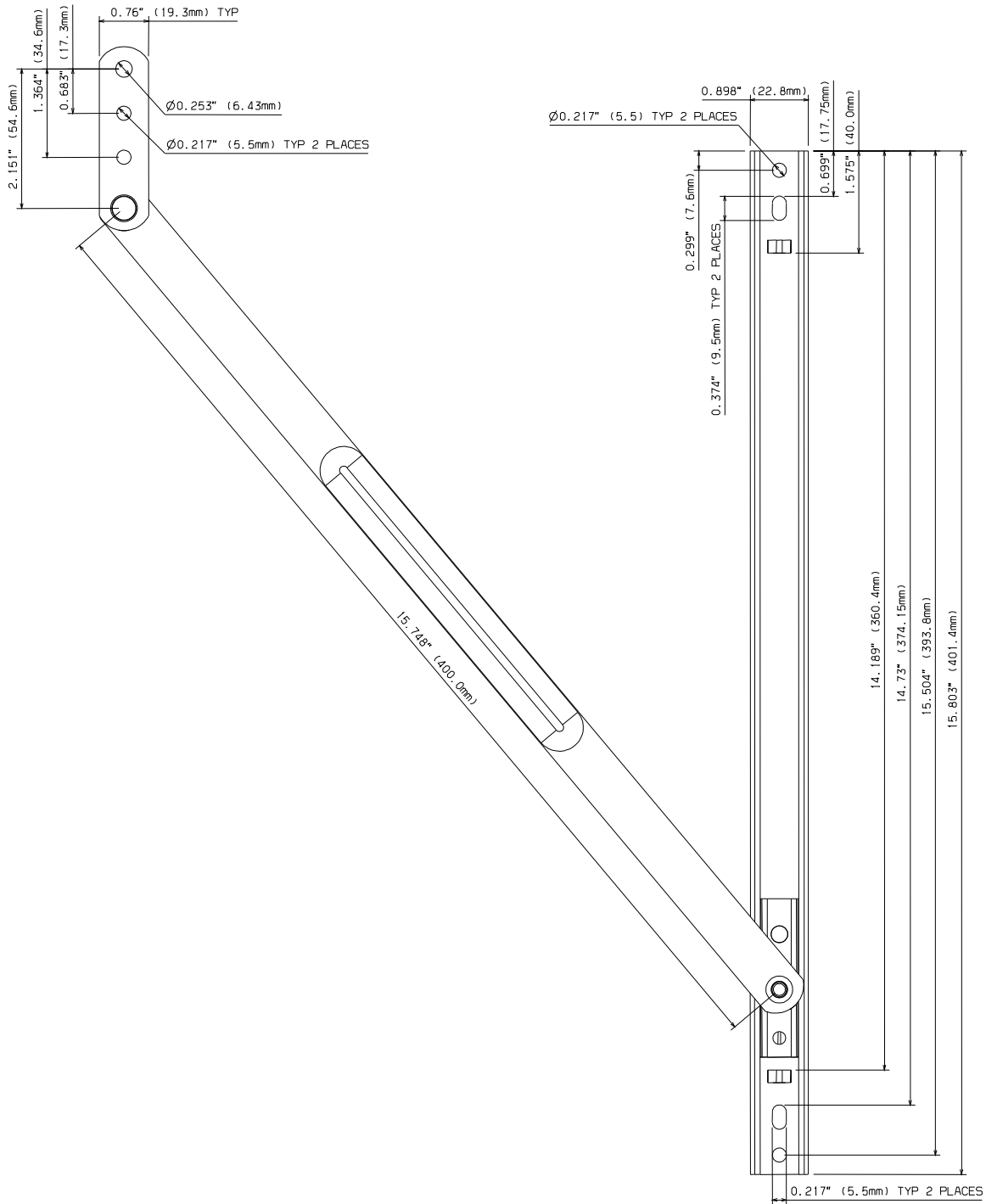
RESTRICTOR STAYS

SECTION 2.4 SHEET 7 of 11

ISSUE: May, 2003

ASSEMBLY SHEET - SR16BAC

Restrictor Stays



Not to Scale, All dimensions in inches & mm

It is the responsibility of the user to ensure that this document is at the latest issue.

Due to our policy of continual product improvement we reserve the right to alter specifications without notice.

It is the responsibility of the window manufacturer to ensure that the finished window meets the required performance and safety specification.

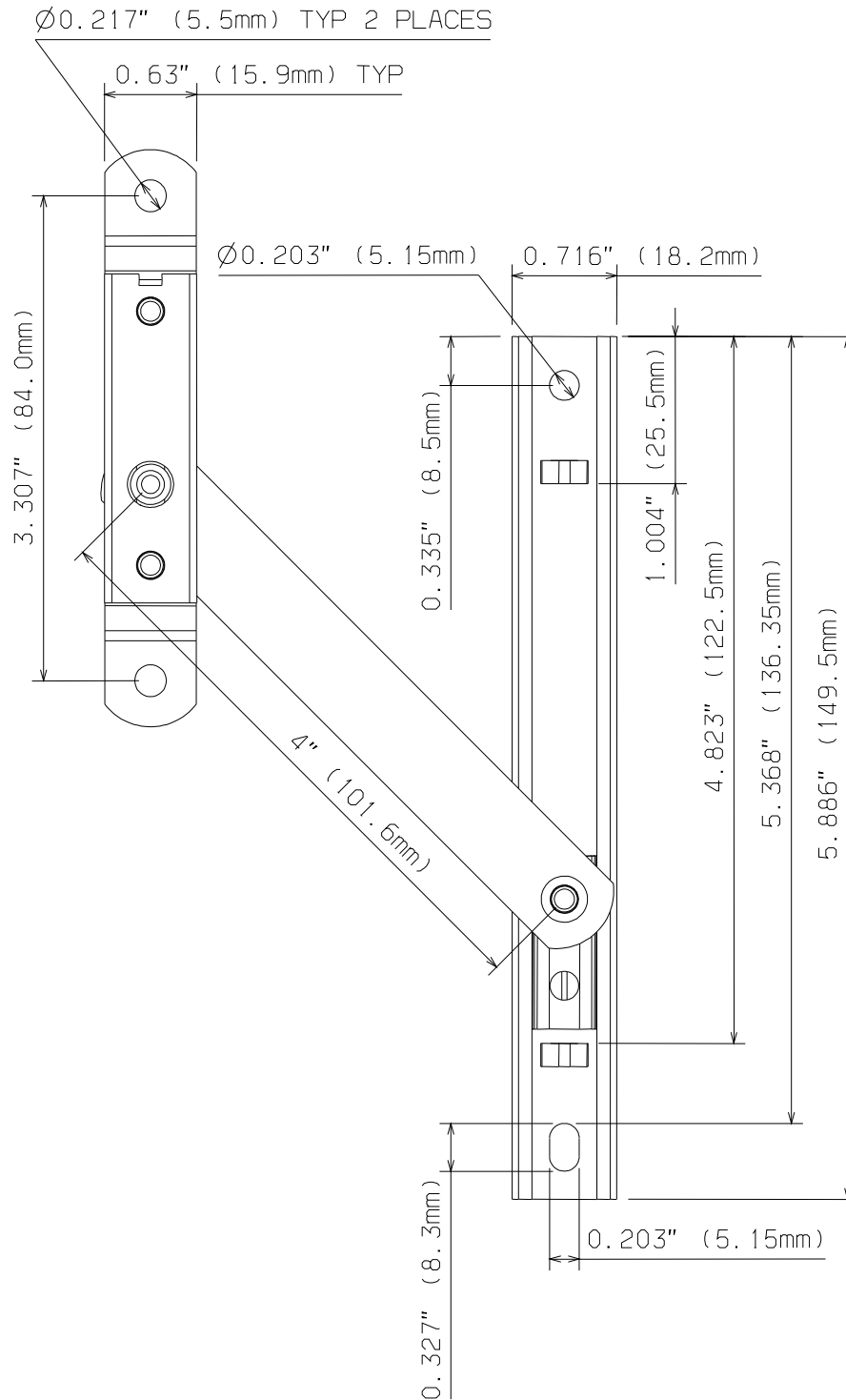
© SECURISTYLE LTD 2003



Securistyle Ltd.
 Kingsmead Industrial Estate
 Princess Elizabeth Way, Cheltenham,
 Gloucestershire, GL51 7RE
 Tel: +44 (0) 1242 221200
 Fax: +44 (0) 1242 520828
 Web: www.securistyle.co.uk

ANCILLARY DEVICES

ASSEMBLY SHEET - SDR4 Detachable Restrictor Stay



Not to Scale, All dimensions in inches & mm

It is the responsibility of the user to ensure that this document is at the latest issue.

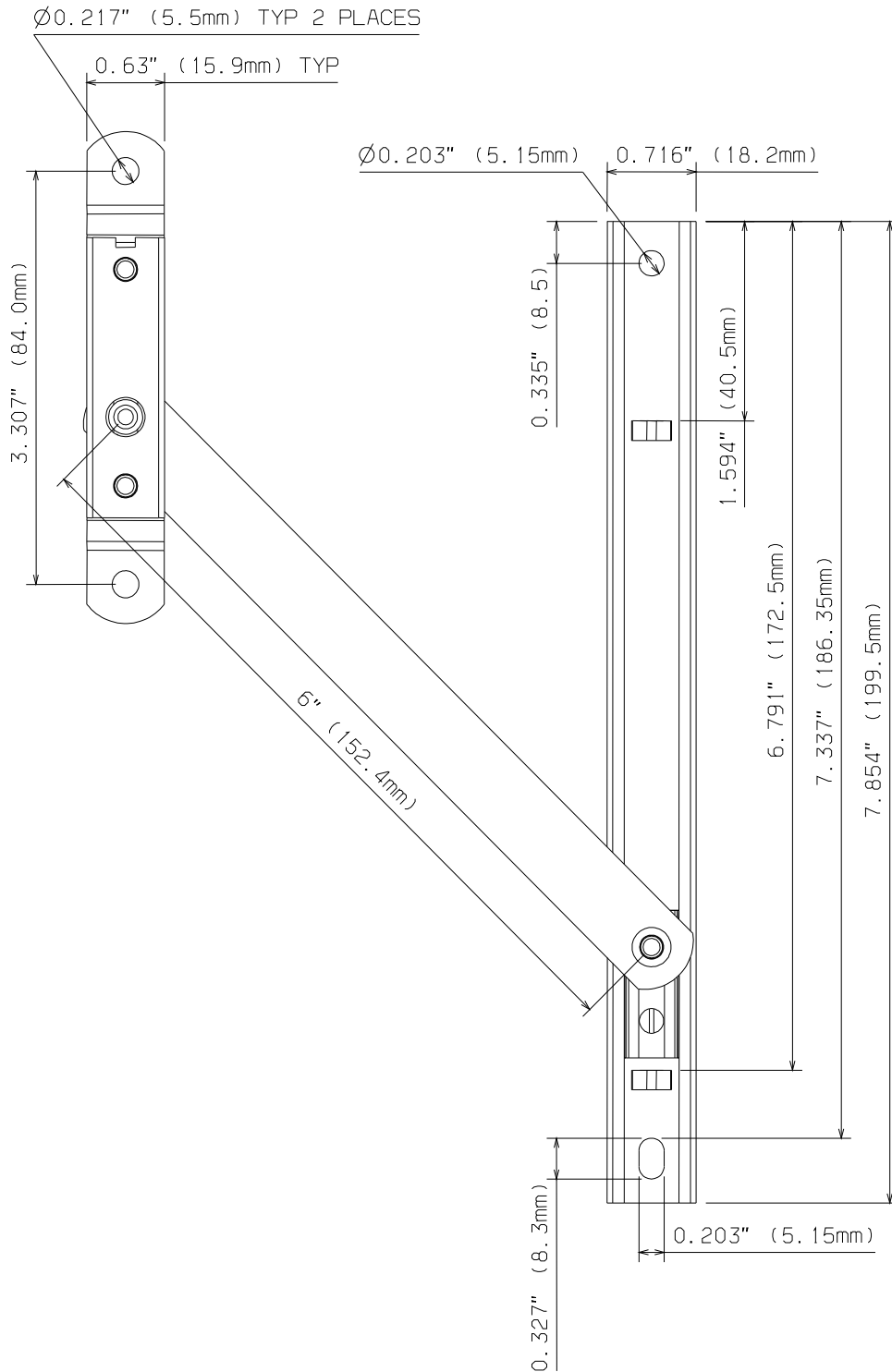
Due to our policy of continual product improvement we reserve the right to alter specifications without notice.

It is the responsibility of the window manufacturer to ensure that the finished window meets the required performance and safety specification.



ANCILLARY DEVICES

ASSEMBLY SHEET - SDR6 Detachable Restrictor Stay



Not to Scale, All dimensions in inches & mm

It is the responsibility of the user to ensure that this document is at the latest issue.

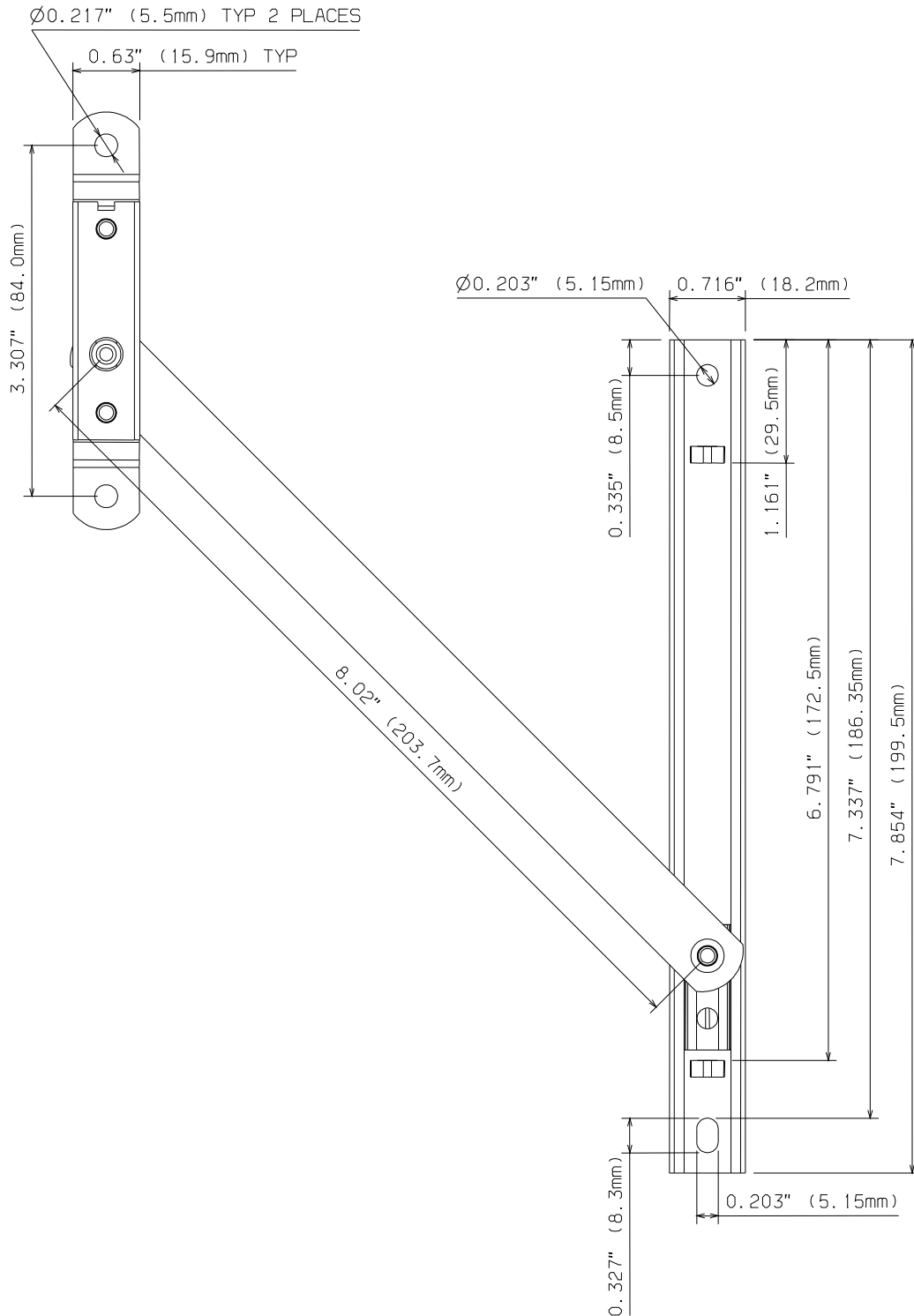
Due to our policy of continual product improvement we reserve the right to alter specifications without notice.

It is the responsibility of the window manufacturer to ensure that the finished window meets the required performance and safety specification.



ANCILLARY DEVICES

ASSEMBLY SHEET - SDR8 Detachable Restrictor Stay



Not to Scale, All dimensions in inches & mm

It is the responsibility of the user to ensure that this document is at the latest issue.

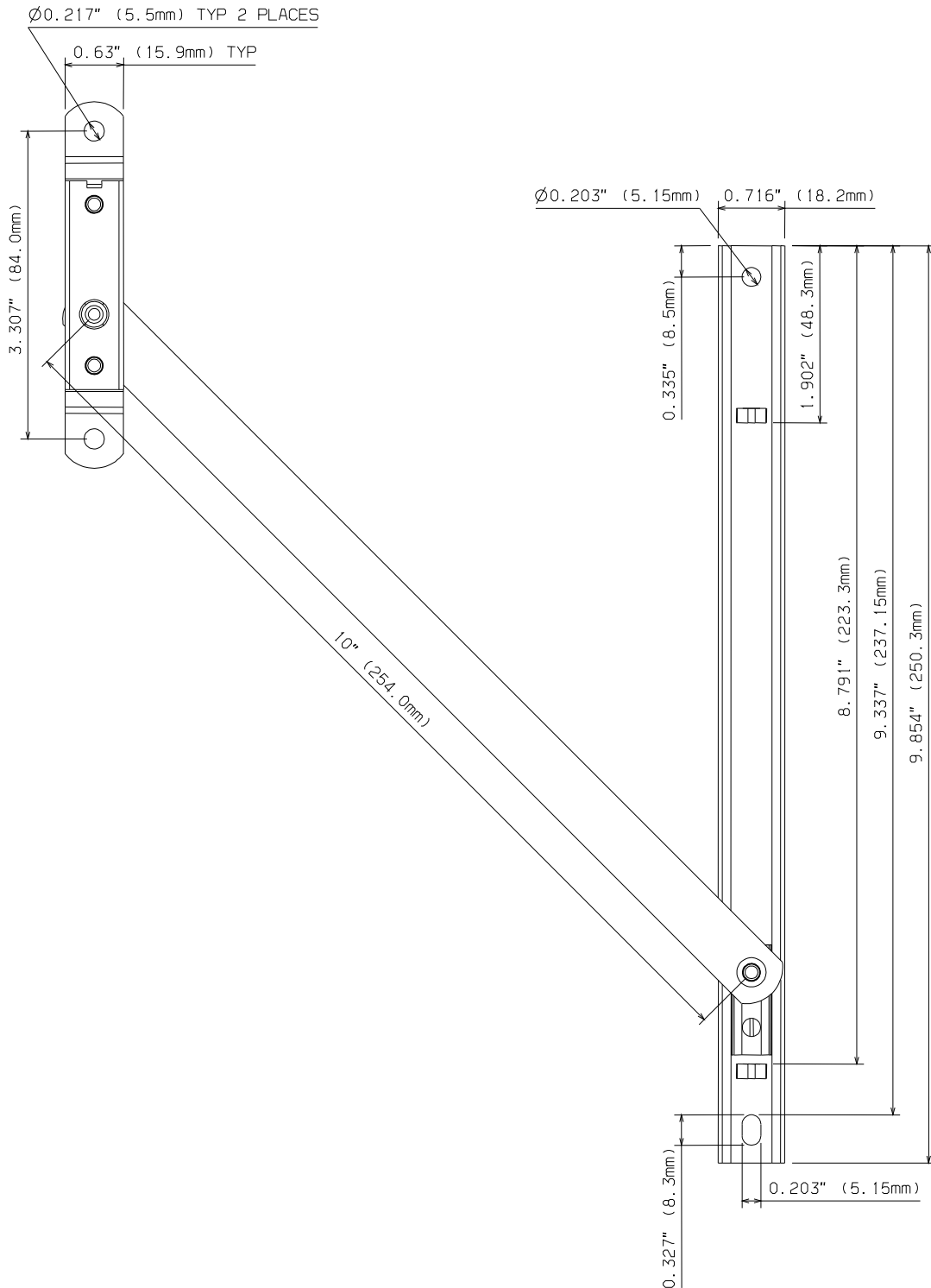
Due to our policy of continual product improvement we reserve the right to alter specifications without notice.

It is the responsibility of the window manufacturer to ensure that the finished window meets the required performance and safety specification.



ANCILLARY DEVICES

ASSEMBLY SHEET - SDR10 Detachable Restrictor Stay



Not to Scale, All dimensions in inches & mm

It is the responsibility of the user to ensure that this document is at the latest issue.

Due to our policy of continual product improvement we reserve the right to alter specifications without notice.

It is the responsibility of the window manufacturer to ensure that the finished window meets the required performance and safety specification.

