

# Securistyle Restrictor Stays

## Window restrictor stay

### For use on PVCu, timber or aluminium windows

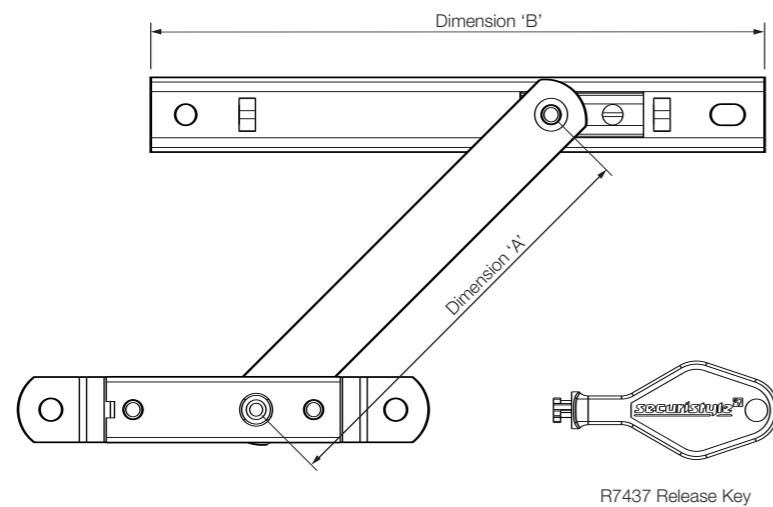
Securistyle Restrictor Stay is a cavity fit friction stay suitable for domestic and commercial applications and is available in detachable and non-

detachable versions. Securistyle Restrictor Stay is designed for top or side hung applications.

### Features and Benefits

- **Withstands a force of up to 600N in restricted position**
- **Enhanced corrosion resistance**
- **Easy to fit, no routing required**
- **Can be used on windows without reinforcement**
- **Suitable for cavities between 13 and 18mm**
- **Non handed**

#### Detachable



#### Non detachable



### Details

Product	Product Code	Cavity (mm)	Dimension 'A' (mm)	Dimension 'B' (mm)
<b>Detachable</b>				
4" Detachable Restrictor	SDR4	16-18	102	150
6" Detachable Restrictor	SDR6	16-18	152.5	200
8" Detachable Restrictor	SDR8	16-18	203.5	200
10" Detachable Restrictor	SDR10	16-18	254	250
Release Key	R7437	16-18		
<b>Non-Detachable</b>				
4" Defender Restrictor (domestic)	RS4	13-14	95	150
6" Defender Restrictor (domestic)	RS6	13-14	148.5	150
9" Defender Restrictor (domestic)	RS9	13-14	229.5	150
4" Sterling Restrictor (non-domestic)	SR4	16-18	94	249
8" Sterling Restrictor (non-domestic)	SR8	16-18	204	249
16" Sterling Restrictor (non-domestic)	SR16BAC	16-18	400	401.5

### Manufactured from

Austenitic 304 grade 1.4301

### Recommended screws

Domestic – 4mm (No.8) Mushroom Head or specialist equivalent e.g. specialist thread for PVCu  
 Commercial – 5mm (No.10) Self Tapping, Pan or Mushroom head or M5 screws or M5 rivnuts e.g. specialist thread for PVCu

### Standards

Tested in accordance with DD CEN/TS 13126-5:2004, BS 6375 Part 2:2004 and BS EN ISO 10088 Part 2

### Finishes

Austenitic stainless steel

### More information

enquiries@titon.co.uk / 01206 713801



Restrictor mode



Key to detach



Unrestricted