

HRV Q Plus First Fix

Fitting Instructions

The HRV Q Plus First Fix can be used for 1.75 – 10.25 models of Titon HRV units. They are designed to make installation of the ducting from the ceiling void to the unit easier and to give a high quality finish to the installation. They are as follows:

TP575 – HRV 1.75 – 10.25 Small First Fix

TP591 – HRV 1.75 – 10.25 Large First Fix

The small first fix TP575 has the same face area as the top of the HRV 1.75 – 3 units and it is possible to use the Ø150 to Ø150 round elbows in the ceiling void. The large first fix TP591 has a larger face area to the top of the HRV 1.75 – 3 units and it is possible to use the Ø150 round to 220x90 rectangular elbows in the ceiling void and this solution should be used when there is limited height in the ceiling void.

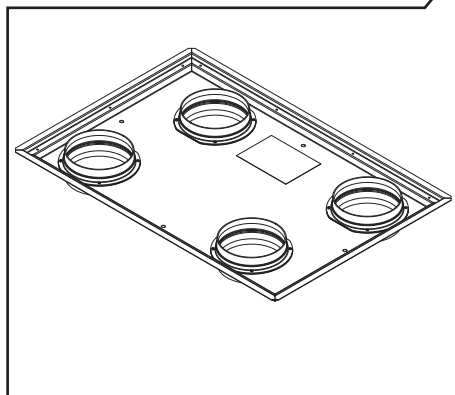
Handling

All lifting must be in accordance with the 89/391/CEE standard (and associated updates) and/or local regulations.

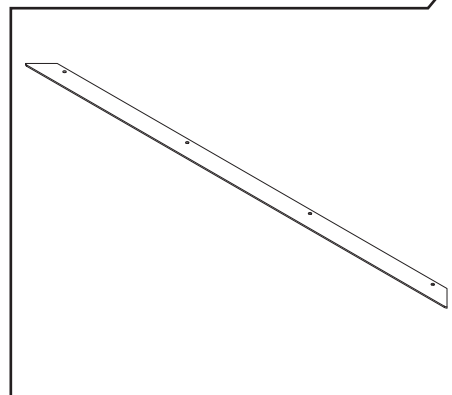
Packing Contents

Inspect the contents in the packaging when taking delivery. Check the parts for damage and that all fixings have been supplied.

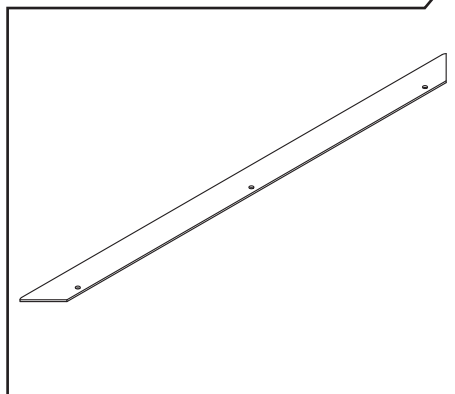
Package supplied with:-



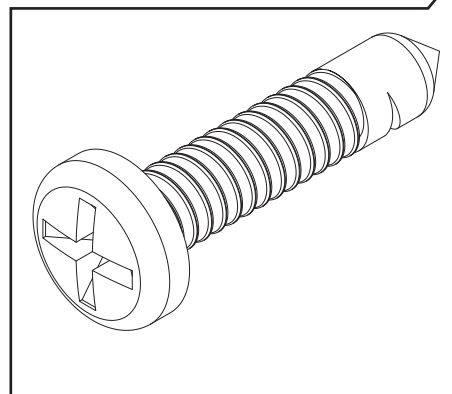
1 x Duct
Connection
Plate



2 x Long
Board Cover



2 x Short
Board Cover



14 x Tek Screws

1 x Fitting instructions

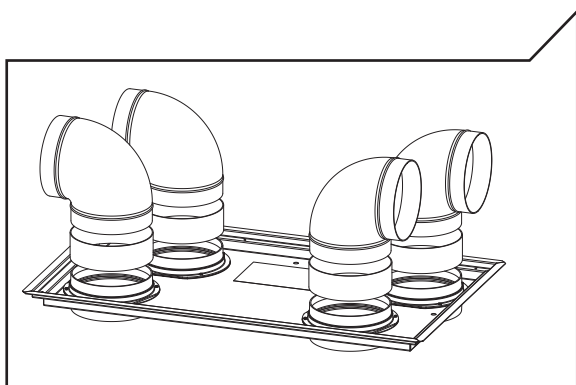
1. Attach duct elbow to duct connection plate

Attach 90° elbows to the duct connection plate using a length of Ø150 ducting as shown. Cut the Ø150 ducting to length achieve the correct height of elbows in the ceiling void.

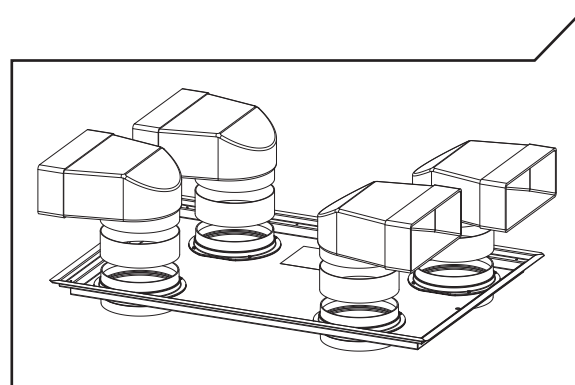
It is only possible to use Ø150 round to Ø150 round elbows for TP575 – Small First Fix due to the small face area of the duct connection plate.

It is possible to use both Ø150 round to round elbow and also Ø150 round to 220x90 rectangular elbows with TP591 – Large First Fix.

Do not fix elbows in place as rotation maybe required later in the installation.



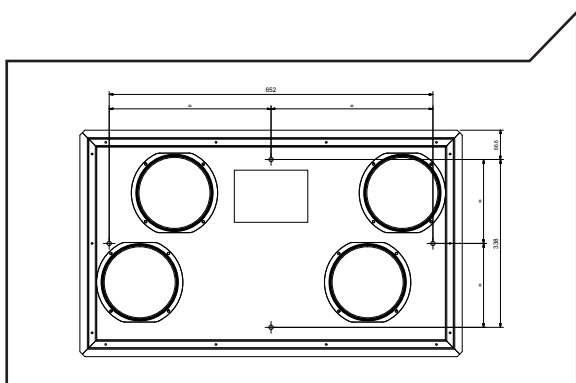
TP575 – Small First Fix



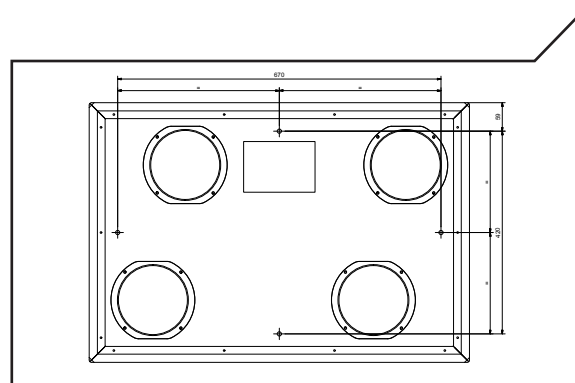
TP591 – Large First Fix

2. Install duct connection plate to concrete floor slab

Mount four Ø8mm thread rods (Not provided) to the concrete floor slab of the above living area in the positions as shown. Ensure that sufficient length is provided so that the first fix unit can be secured.



TP575 – Small First Fix

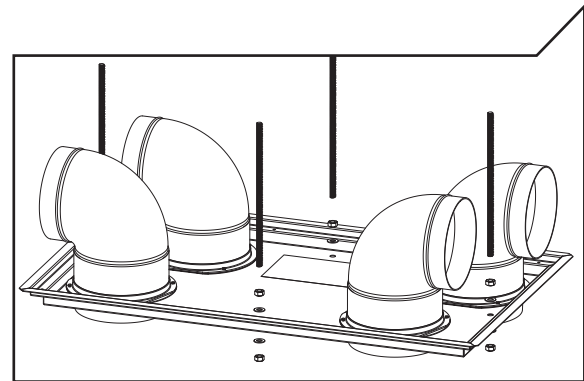
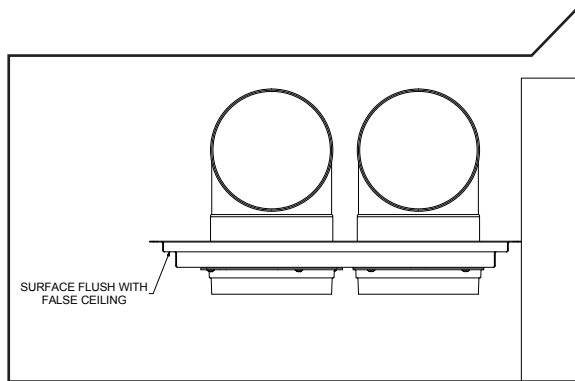
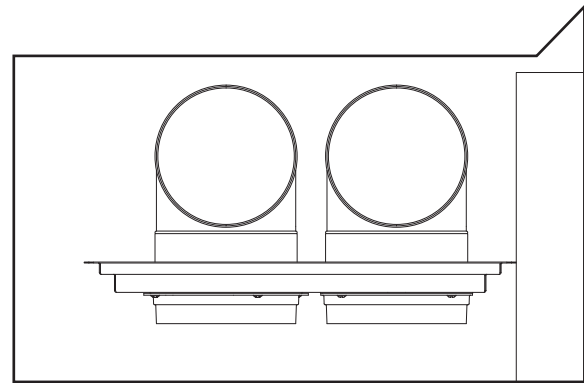


TP591 – Large First Fix

When positioning the duct connection plate make sure that the flange is touching the wall that will be used for mounting the MVHR unit as shown. If this wall is not present then calculate the position of the duct connection plate from floor plans.

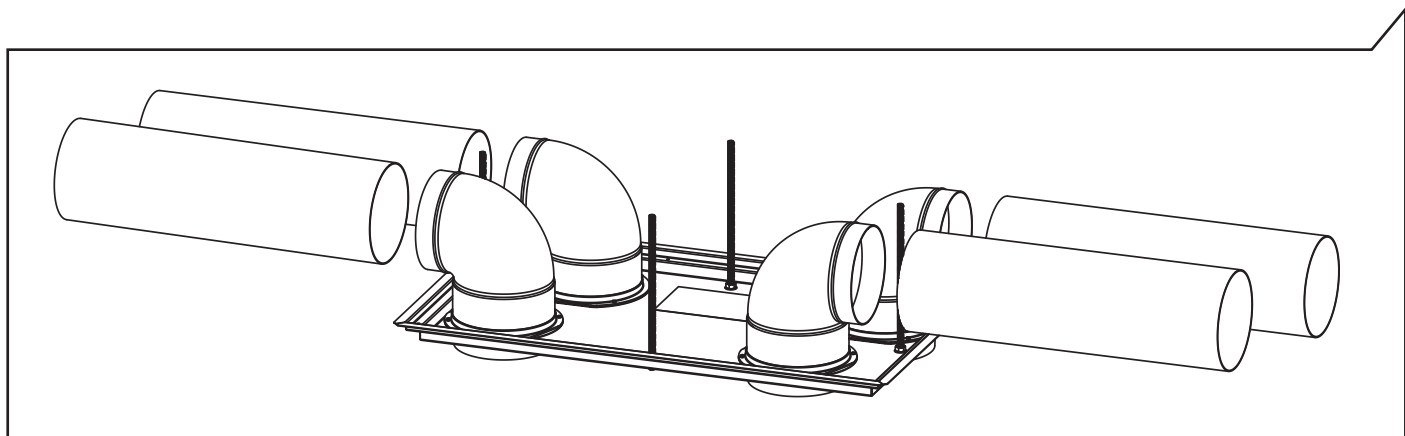
Fix the duct connection plate to the four thread rods using 8 x M8 Washer and 8 x M8 Nuts (Not provided).

Ensure that the height of the ducting connection plate is so that the under surface of the connection will be flush with the under surface of the false ceiling when installed.




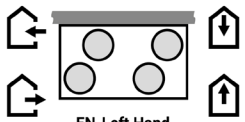

3. Connect ducting to elbows

Connect the system ducting to the elbows from the duct connection plate.



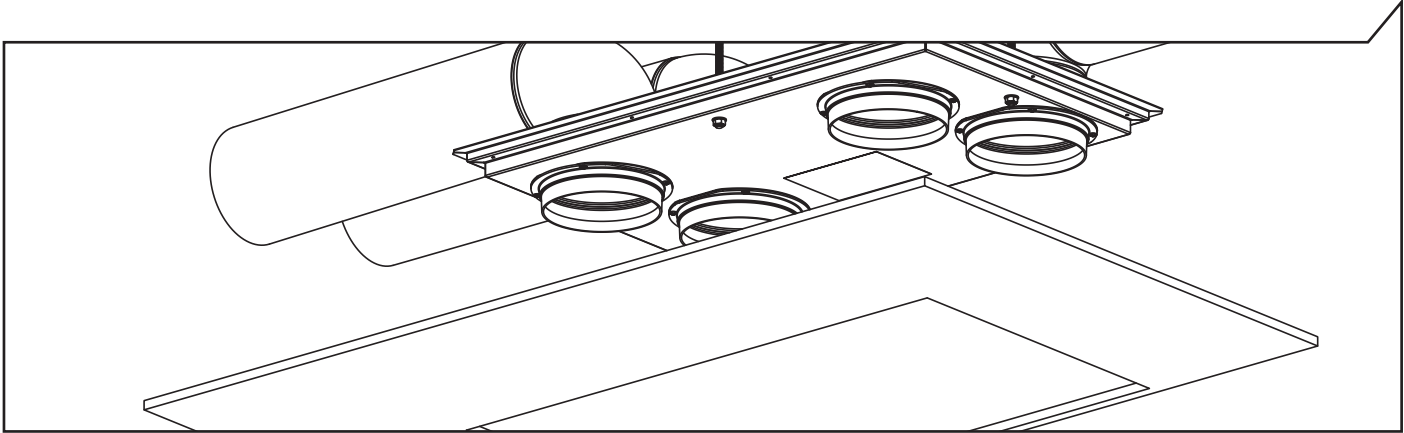
Use the port label on the top of the duct connection plate to determine which duct should be connected to which elbow depending on whether the unit being installed is a left or right handed version.

When both system duct work and elbows are in the correction positions, secure elbows to duct connection plate.

 EN-Top BG-Най-отгоре HR-Gornja strana CS-Horní DA-Top NL-Bovenzijde ET-Üles FI-Ylhäällä FR-Haut DE-Oben EL-Κορυφή HU-Felső IT-Superiore LV-Augšā LT-Viršus PL-Na górze PT-Topo RO-Superioară SK-Navrchu SL-Vrh ES-Superior SV-Övre	
 EN-Left Hand BG-Отраво HR-Ljeva strana CS-Levá DA-Venstre hånd NL-Links ET-Vasak FI-Vasemmalla FR-Gauche DE-Links EL-Αριστερά HU-Bal oldali IT-Lato sinistro LV-Lado kreisā LT-Kairioji ranka PL-Lewa ręka PT-Lado esquerdo RO-Partea stângă SK-Vľavo SL-Levo ES-Mano izquierda SV-Vänster	 EN-Right Hand BG-Отдясно HR-Desna strana CS-Pravá DA-Højre hånd NL-Rechts ET-Parem FI-Oikealla FR-Droite DE-Rechts EL-Δεξιά HU-Jobb oldali IT-Lato destro LV-Labā LT-Dešinioji ranka PL-Prawa ręka PT-Lado direito RO-Partea dreaptă SK-Vpravo SL-Desno ES-Mano derecha SV-Höger
DO 5512	

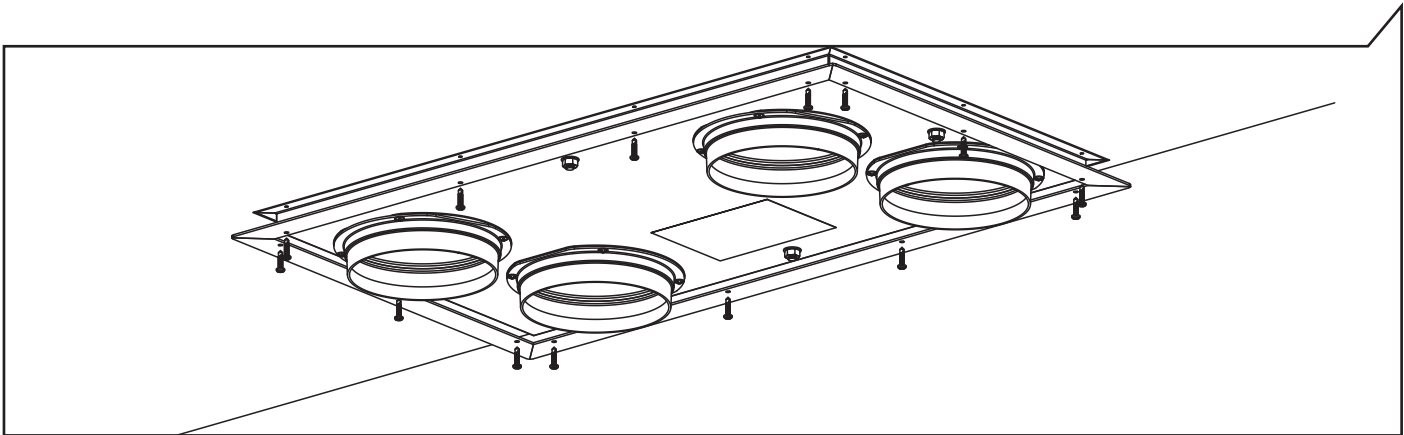
4. Install false ceiling

Install the false ceiling to the property with adequate cutout for the duct connection plate.



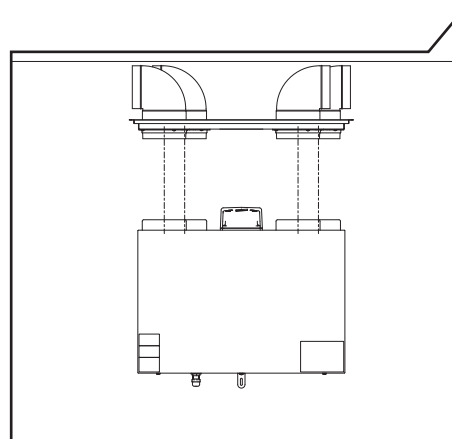
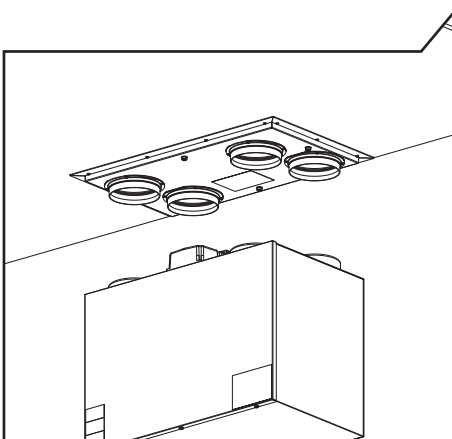
5. Attach board covers to duct connection plate

Attach the short and long board covers to the duct connection plate using 14 x Tek Screws provided. The board covers are used to sandwich the false ceiling between the duct connection plate and board covers and provide a clean finish to the installation.



6. Install MVHR unit

Install the MVHR unit to the mounting wall. Ensure that the duct connections from the unit are inline with the duct connections from the duct connection plate.



7. Connect ducting from unit to first fix and commission

Connect ducting/flexible attenuators from the MVHR unit to the duct connection plate and secure at both ends.

The ports in the duct connection plate should match up with the ports in the MVHR unit depending on whether the unit is a left or right hand unit.

This can be checked with the label on the underside of the duct connection plate.

