

TP565 204x60 TP566 220x90 TP567 Ø125 TP568 Ø150 TP569 Ø160

Trimbox Filter®

Product Manual



 **Titon**®  
ventilation systems

# Warnings, Safety Information and Guidance

## Important information

---

1. Installation of the appliance and accessories must be carried out by a qualified and suitably competent person and be carried out in clean, dry conditions where dust and humidity are at minimal levels.
2. Installation and maintenance personnel must wear suitable safety clothing to minimise the accident risk.
3. This manual covers the installation and maintenance of the Titon® Trimbox Filter® system.
4. The unit must be stored in a clean and dry environment. Do not install the appliance in areas where the following may be present or occur;
  - Excessive oil or grease laden atmosphere,
  - Corrosive or flammable gases, liquids or vapours,
  - Ambient temperatures above 80°C or below -5°C,
  - Humidity levels above 90% or is a wet environment.
5. The appliance is not suitable for installation to the exterior of the dwelling.
6. This appliance can be used by children aged from 8 years and above and persons with reduced physical, sensory or mental capabilities or lack of experience and knowledge if they have been given supervision or instruction concerning use of the appliance in a safe way and understand the hazards involved.
7. Children should be supervised to ensure that they do not play with the appliance.
8. Ensure that external grilles are located away from any flue outlet, in accordance with relevant Building regulations.

## Titon® Recommend

---

1. Any flexible ducting used must be pulled taught;
2. Ducting must be installed in such a way that resistance to airflow is minimised;
3. Duct joints to the unit's duct ports must be fixed using a method that ensures a long term seal is achieved.

## Handling

---

1. Before off-loading products, please ensure that the means of transport/ lifting is suitable to accommodate the required weight and size capacity;
2. Manually handle unit in accordance with the 89/391/EEC-OSH standard (and associated updates) and/or local regulations.

## Packing Contents

---

Inspect the unit when taking delivery. Check the unit for damage and that all accessories have been supplied.

Package supplied with:-

- Trimbox Filter (including either G4 or F7 pleated filter) x 1;
- Product Manual x 1.

**Any shortages or damage must be immediately reported to the supplier**

# Contents

## Warnings, Safety Information and Guidance

Important information .....	2
Titon® Recommend .....	2
Handling .....	2
Packing Contents .....	2

## Product Overview

Product Description .....	4
Dimensions .....	4
Port Size(s) .....	4

## Installation

Trimbox Filter® .....	5
Mounting .....	5
Ducting Connection .....	5

## Maintenance

Filter Replacement .....	6
How to Change Filters .....	6
Filters .....	6

## Service Record

Log .....	7
-----------	---



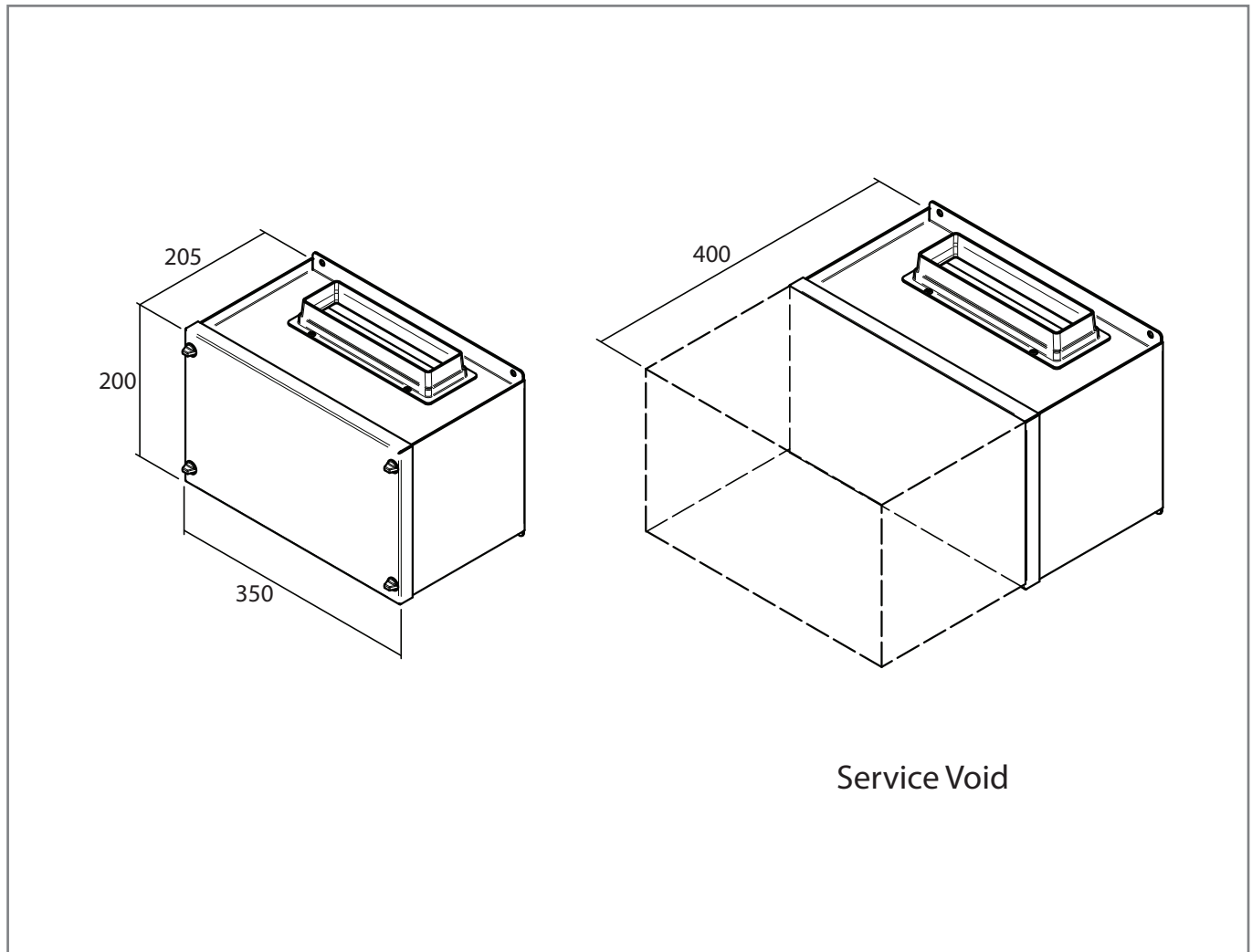
When this document is viewed as a PDF the headings & sub headings on this page are hyper links to the content. Additionally the page numbers in this document are hyper links back to this contents page.

# Product Overview

## Product Description

The Titan Trimbox Filter is an effective method of improving the indoor air quality of a dwelling. The unit can either be supplied with a G4 or F7 pleated panel filter that are sized to produce high levels of particle filtration and low resistance.

## Dimensions



Unit Dimensions (excluding ports)

### Port Size(s)

Rectangular Ports: 204mm x 60mm & 220mm x 90mm.

Round Ports: Ø125mm, Ø150mm & Ø160mm.

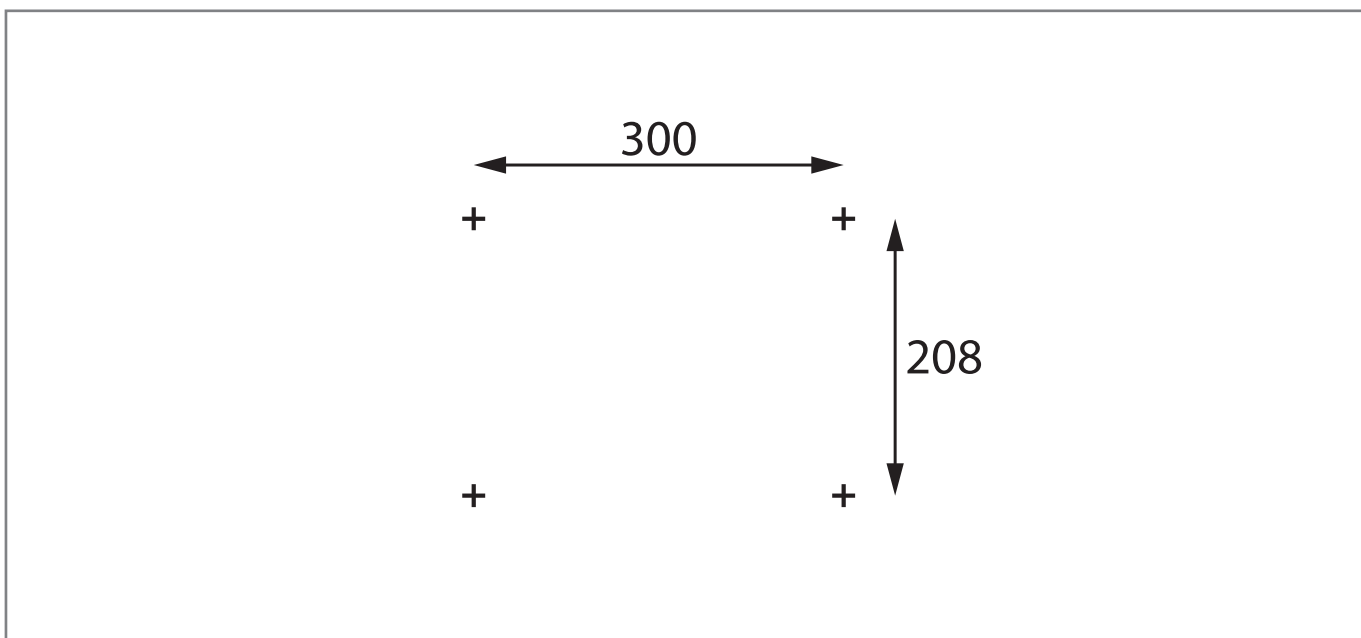
## Trimbox Filter®

Read and observe the guidance & safety notices listed in Warnings, Safety information and Guidance .

- The Trimbox Filter® is designed to be mounted in any orientation.
- The mounting surface substrate must be sufficiently strong to support the unit.
- Ensure there is sufficient access around the filter unit for future maintenance.
- Do not 'box-in' the unit making access to the unit difficult for maintenance and repair.

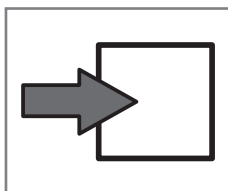
### Mounting

1. Mark positions of the mounting holes onto the mounting surface using dimensions as shown.
2. Prepare the mounting surface in the positions specified for four Ø6mm fixings. Fixings must be suitable for the mounting surface substrate and the weight of the unit. Fixings are not supplied due to the variation in materials. For advice on suitable fixings contact your local specialized fixings dealer.
3. Mount the unit using selected fixings.



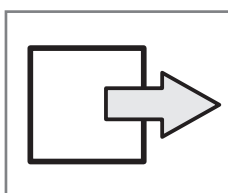
### Ducting Connection

The Trimbox Filter® uses a directional filters therefore it is very important that ducting is connected correctly. The Trimbox Filter® has labels with icons indicating the airflow IN and airflow OUT ports



#### IN

This label defines that the port at this end of the unit must have airflow going into the unit.



#### OUT

This label defines that the port at this end of the unit must have airflow leaving the unit.

# Maintenance

## Filter Replacement

Filters should be replaced at least annually, or more regularly dependent on environmental conditions. Filter can be changed by the householder. Replacing the filter for a higher grade (F7) will increase the ventilation system resistance and the ventilation system may require re-commissioning to maintain the design airflow rates.

## How to Change Filters

1. Remove Front Cover using four fixings;
2. Slide out filter from casing using handle attached to filter;
3. Replace Filter by sliding back into casing. Ensure the airflow direction corresponds with the direction arrow on filter and the IN & OUT Ports;

## Filters

Model Part Number	G4 Filter	F7 Filter
TP565	XP2010021	XP2010121
TP566	XP2010021	XP2010121
TP567	XP2010021	XP2010121
TP568	XP2010021	XP2010121
TP569	XP2010021	XP2010121



**In the event of any queries please contact the system installer.**

Ensure this booklet is passed to the householder once installation & commissioning of the ventilation system is complete. This Product Manual must be kept in the Home Information Pack and used as a service record.

Installed by:



**MARKETING DIVISION**  
894 The Crescent, Colchester Business Park, Colchester CO4 9YQ  
Tel: +44 (0) 1206 713800 Fax: +44 (0) 1206 543126  
Email: ventsales@titon.co.uk Web: www.titon.com