

Ultra quiet extract fan

FEATURES

- Wall or ceiling mounted
- High energy efficiency
- Low energy usage
- Easy to install & easy to clean
- Back-draught removable shutter with no capacity loss
- Wide range of options and accessories
- Complies with extract ventilation requirements. Building Regulations Approved Document F1 (England & Wales), Technical Standards Scotland Part K and Northern Ireland Technical Booklet K
- 3 year guarantee

SPECIFICATION

Voltage: 220-240V, 50-60Hz

Power consumption: 4W

Motor protection: Thermal fuse

IP Rating: 44

Duct dimension: 100mm

CE marked according to LVD and EMC directives

ACOUSTIC PROPERTIES

30dB (A) @ 3 metres

DETAILS

Code	Name	Description
1801-1	Fan 200	Basic model
1803-1	Fan 201	with back-draught shutter
1814-1	Fan 210	with cable, plug & pull-cord switch
1815-1	Fan 211	with cable, plug, pull-cord switch & back-draught shutter
1817-1	Fan 220	with integrated timer
1819-1	Fan 221	with integrated timer & back-draught shutter
1805-1	Fan 230	with integral moisture control & timer
1807-1	Fan 231	with integral moisture control, timer & back-draught shutter
1809-1	Fan 240	with integral fan speed control
1811-1	Fan 250	with integral thermostat & fan speed control, ideal for warm air transfer unit
1825-1	Fan 260	with moisture control, constant operation & adjustable fan speed

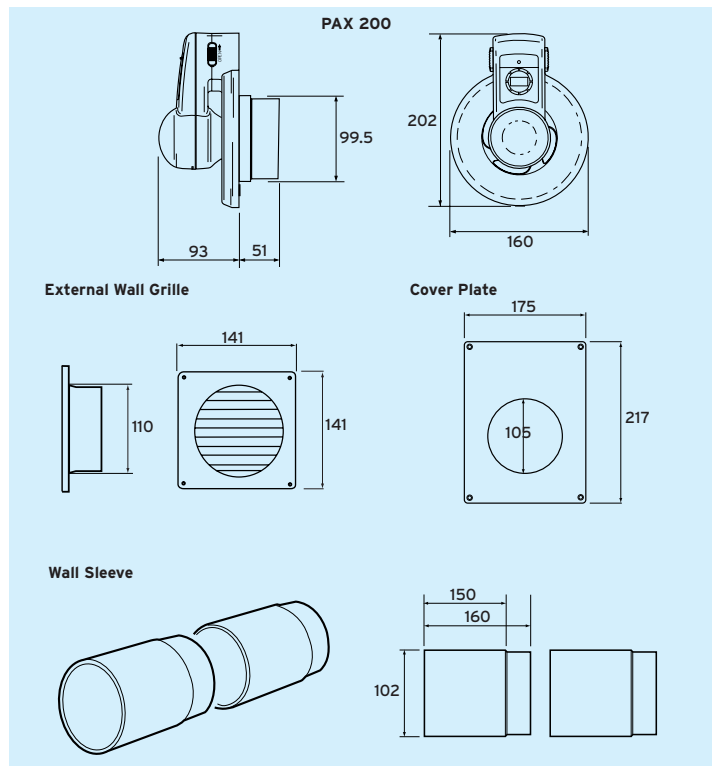
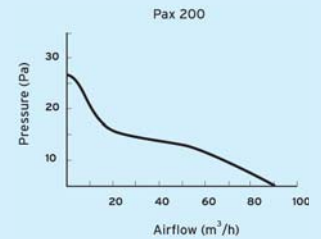
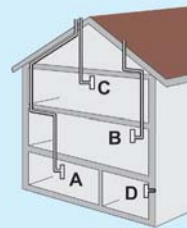
Accessories

8143-1	Cover plate 200
8156	External wall grille 100 (Available in white, black & red)
8104-1	Multi pole switch (200 Fan range)
8157-1	Wall sleeve
8103-1	Timer for 200, 201



PERFORMANCE

Airflow (PAX 200/201)		
Placement	l/s	m ³ /hr
A	17	60
B	19	70
C	22	80
D	25	90



MARKETING DIVISION

International House, Peartree Road, Stanway, Colchester, Essex CO3 0JL
 Tel: +44 (0) 1206 713800 Fax: +44 (0) 1206 543126
 Email: enquiries@titon.co.uk Web: www.titon.com