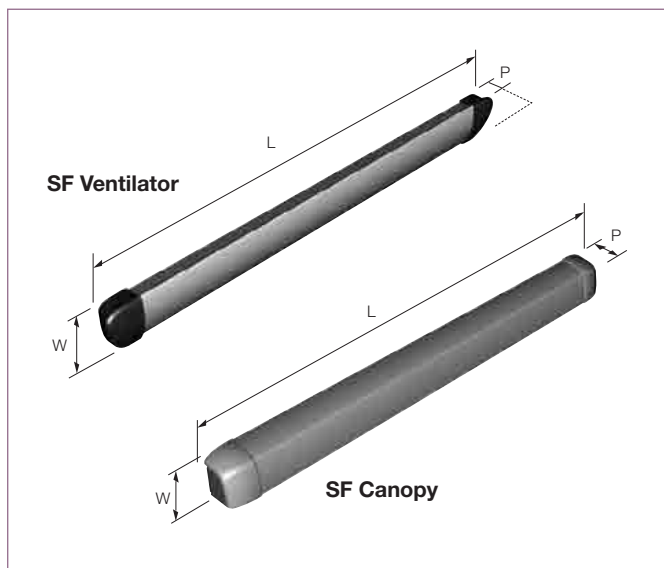
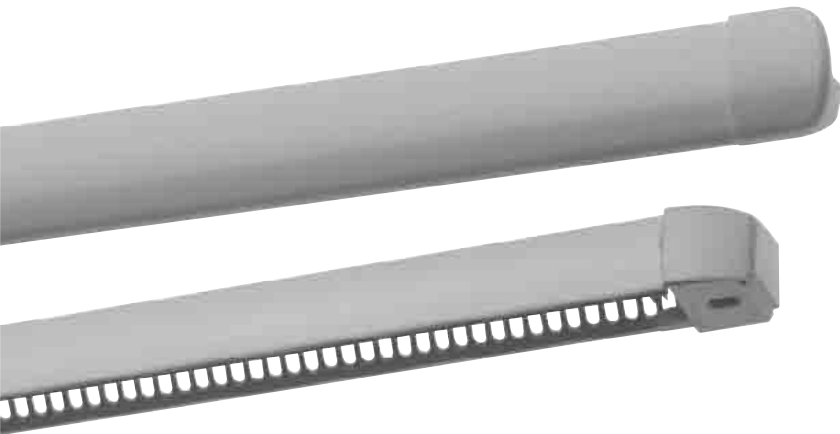


SF Ventilator

Aluminium slot ventilator



Features and Benefits

- Compression closing action
- High performance gasket for increased performance
- For use over a 13mm slot
- Supplied made-to-measure or in bar length
- Available in bar length for cutting to size by customer (details on request)
- Special paint finishes available
- Integral screw covers
- Registered design

Performance

(Full test details available on request)

Equivalent Area – See above.

Free Area – See below.

Air Leakage (m³/hr @ 50Pa)
2.39 (3300EA version)

Water Resistance (Pa)
600

Acoustic D_{n,e,w} (+/-)
3300EA version -
vent open 32 (-1;1)
vent closed 41 (-1;-2)



Product	(L) Length	(W) Width	(P) Projection	EA (mm ²)	Free Area (mm ²)	Slot Detail
SF 2600EA 325 Vent	325	28	11.5 - 23	2600	3117	255 ————— 13
SF 318 Canopy	318	23	27			
SF 3300EA 425 Vent	425	28	11.5 - 23	3300	4207	173.5 20 173.5 ————— 13
SF 418 Canopy	418	23	27			
SF 5000EA Vent	650	28	11.5 - 23	5000	8127	173.5 22 173.5 22 173.5 ————— 13
SF 643 Canopy	643	23	27			
SF 5000EA Pack						
SF 6200EA Vent	775	28	11.5 - 23	6200	8022	223 24 223 24 223 ————— 13
SF 768 Canopy	768	23	27			

Bar length codes on request.

EA figures achieved when fitted to manufacturer's recommendations. Tested in accordance with BS:EN 13141-1 (2004).