

SF Ventilator

Aluminium slot ventilator



SF Ventilator

SF Canopy

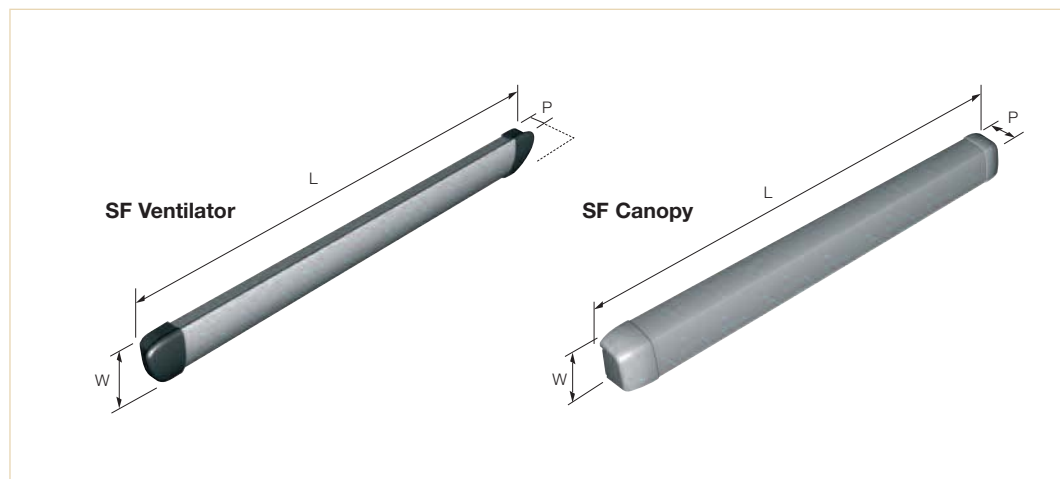
For use on PVCu or aluminium windows

SF vent is a high performance surface mounted aluminium slot ventilator that fits over a 13mm slot in a window and provides an Equivalent Area (EA) of up to 6200mm² when fitted with an SF canopy. The SF is available in made to measure sizes or in bar length in a variety of colours.



Features and Benefits

- Simple construction to aid painting, self-assembly & fitting
- Ideal for use in non-domestic installations
- Compression closing action
- High performance gasket improves sealing in adverse conditions
- For use over a 13mm slot
- Ideal for retrofit applications, over a slot or series of holes
- Supplied made-to-measure or in bar length
- Available in bar length for cutting to size by customer (details on request)
- Bar length product available in mill finish for customer painting
- Special paint finishes available
- Available in vent and canopy packs
- Integral screw covers
- Registered design



Details

Product	Product Code	(L) Length	(W) Width	(P) Projection Closed-Open	EA (mm ²)	Free Area (mm ²)	Slot Detail
SF 2600EA 325 vent	TA5009	325	28	11.5 - 23		3117	
SF 318 canopy	TA5010	318	23	27	2600	3775	255 13
SF 2600EA pack	TA5059						
SF 3300EA 425 vent	TA5001	425	28	11.5 - 23		4207	
SF 418 canopy	TA5005	418	23	27	3300	5114	173.5 20 173.5 13
SF 3300EA pack	TA5051						
SF 5000EA vent	TA5011	650	28	11.5 - 23		6659	
SF 643 canopy	TA5012	643	23	27	5000	8127	173.5 22 173.5 22 173.5 13
SF 5000EA pack	TA5061						
SF 6200EA vent	TA5003	775	28	11.5 - 23		8022	
SF 768 canopy	TA5007	768	23	27	6200	9801	223 24 223 24 223 13
SF 6200EA pack	TA5053						

Bar length codes on request.

EA figures above and marked on vents are achieved when fitted to manufacturer's recommendations. Tested in accordance with BS:EN 13141-1 (2004).

Manufactured from

Aluminium 6063 HIT T6, component parts POM & PP (UV Stable)

Recommended screws

3.5mm (No.6) Round Head or equivalent

Standards

Tested in accordance with BS EN 13141-1:2004 (air flow, air leakage and weather tightness)

Acoustic performance tested in accordance with BS EN ISO20140-10:1992, BS EN ISO140-10:1991 and single figures to BS EN ISO717-1:1991



Add-on section

Performance

(Full test details available on request)

Equivalent Area – See above

Free Area – See above

Air Leakage (m³/hr @ 50Pa) – 2.39 (3300EA version).

Water Resistance (Pa) – 600

Acoustic D_{n,e,w} (+/-) – 3300EA version - vent open 32 (-1;1), vent closed 41 (-1;-2)

Finishes

Suffix product code with:

-020 (white)

More information

Contact the distributor for your country, details at www.titon.com.