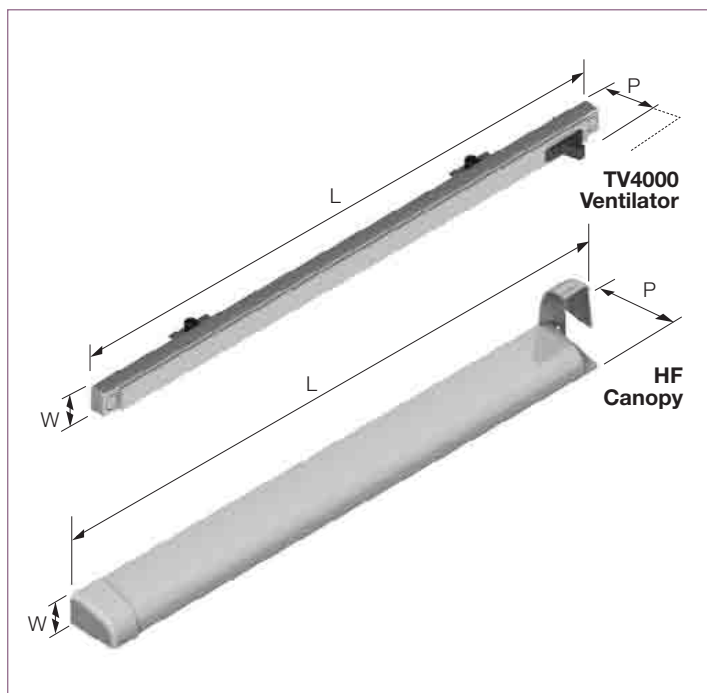
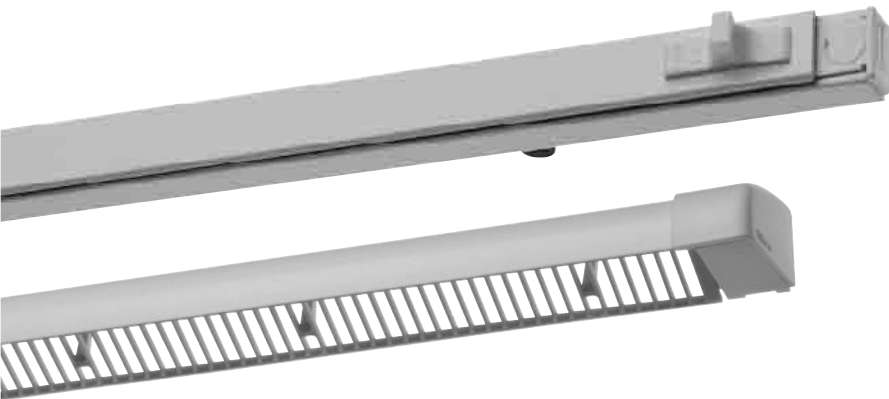


Trimvent® 4000 Hi Lift

Aluminium slot ventilator



Features and Benefits

- Revised design to improve performance and Regulations compliance
- Compression closing action
- For use on 13mm slot
- Based on successful Trimvent® principle
- T-bar deflects air up and down
- Unique linkages ensure constant friction and smooth action
- Vent supplied with screw covers, canopy features integral screw covers
- Special colours available on request
- Sleeve available to seal profiles
- Felted gasket for increased performance

Performance

(Full test details available on request)

Equivalent Area – See below.

Free Area – See below.

Air Leakage (m³/hr @ 50Pa)

0.99 (4000EA version)

Water Resistance (Pa)

600

Acoustic D_{n,e,w} (+/-)

vent open 32 (0;1)

vent closed 43 (0;-1)



Product	(L) Length	(W) Width	(P) Projection	EA (mm ²)	Free Area (mm ²)	Slot Detail
TV4000 HL 2200EA 255 Vent	255	17	28 - 38	2200	2169	223 13
HF 263 Canopy	263	24	36.5	4000	3790	173.5 20 173.5 13
TV4000 HL 4000EA 400 Vent	400	17	28 - 38	6000	3989	173 12 173 12 173 13
HF 441 Canopy	441	24	36.5		6763	
TV4000 HL 6000EA 575 Vent	575	17	28 - 38		5925	
HF 582 Canopy	582	24	36.5		9118	

EA figures achieved when fitted to manufacturer's recommendations. Tested in accordance with BS:EN 13141-1 (2004).