

Trimvent® 4000 Hi Lift

Aluminium slot ventilator



Trimvent® 4000 Hi Lift Ventilator

Trimvent® 4000 Hi Flow Canopy

For use on PVCu, timber or aluminium windows

Trimvent 4000 Hi Lift is an aluminium slot ventilator that fits over a 13mm slot in a window and provides an Equivalent Area (EA) of up to 6000mm² when fitted with the Hi Flow canopy. The TV4000 Hi Lift is ideal for both new build or refurbished situations using any window material and is available in a variety of colours.

The Hi Lift design improves the Trimvent range to offer increased ventilation giving optimum airflow (and therefore Equivalent Area) utilising existing Trimvent slot

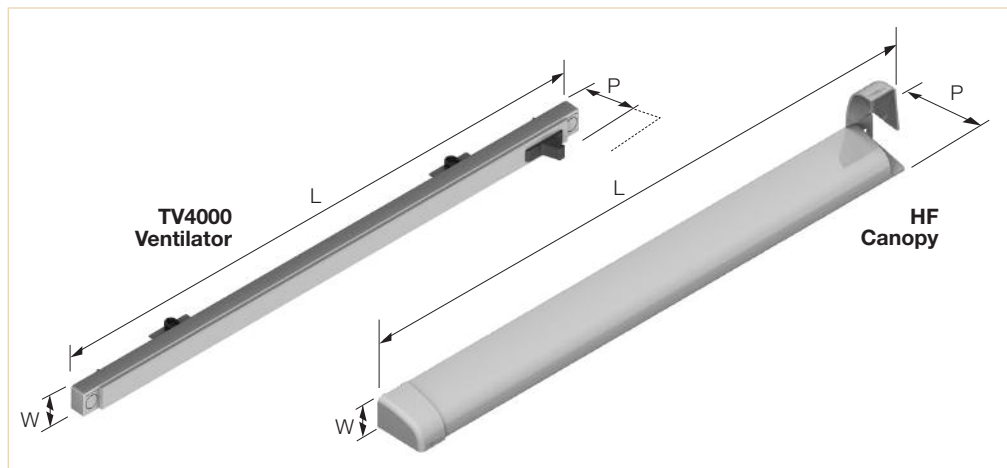
sizes and vent lengths, meaning they are 60% more efficient than previous models.

Specifically developed for recent revisions to Part F of the Building Regulations, Ventilation (England & Wales), and to improve performance for requirements throughout the UK and Europe.

Trimvent 4000 ventilators have been specified and fitted on millions of windows throughout the UK and mainland Europe for nearly twenty years.

Features and Benefits

- Revised design to improve performance and Regulations compliance
- Compression closing action
- For use on 13mm slot
- Based on successful Trimvent® principle
- T-bar deflects air up and down
- Unique linkages ensure constant friction and smooth action
- Vent supplied with screw covers, canopy features integral screw covers
- Special colours available on request
- Sleeve available for hollow profiles
- Felted gasket for increased performance



Details

Product	Product Code	(L) Length	(W) Width	(P) Projection Closed-Open	EA (mm ²)	Free Area (mm ²)	Slot Detail
TV4000 HL 2200EA 255 vent	TA4042	255	17	28 - 38	2200	2169	223 ————— 13
HF 263 canopy	TA6053	263	24	36.5			
TV4000 HL 4000EA 400 vent	TA4041	400	17	28 - 38	4000	3989	173.5 20 173.5 ————— 13
HF 441 canopy	TA6054	441	24	36.5			
TV4000 HL 6000EA 575 vent	TA4044	575	17	28 - 38	6000	5925	173 12 173 12 173 ————— 13
HF 582 canopy	TA6004	582	24	36.5			
Sleeve	Please phone for details			Please phone for details			

EA figures above and marked on vents are achieved when fitted to manufacturer's recommendations. Tested in accordance with BS:EN 13141-1 (2004).

Manufactured from

Aluminium 6063 HIT T6, component parts POM & PP (UV Stable)

Recommended screws

3.5mm (No.6) Round Head or equivalent

Standards

Tested in accordance with BS EN 13141-1:2004 (air flow, air leakage and weather tightness)

Acoustic performance tested in accordance with BS EN ISO20140-10:1992, BS EN ISO140-10:1991 and single figures to BS EN ISO717-1:1991

Performance

(Full test details available on request)
 Equivalent Area – See above
 Free Area – See above
 Air Leakage (m³/hr @ 50Pa) – 0.99 (4000EA version)
 Water Resistance (Pa) – 600
 Acoustic D_{n,e,w} (+/-) – vent open 32 (0;1),
 vent closed 43 (0;-1)

Finishes

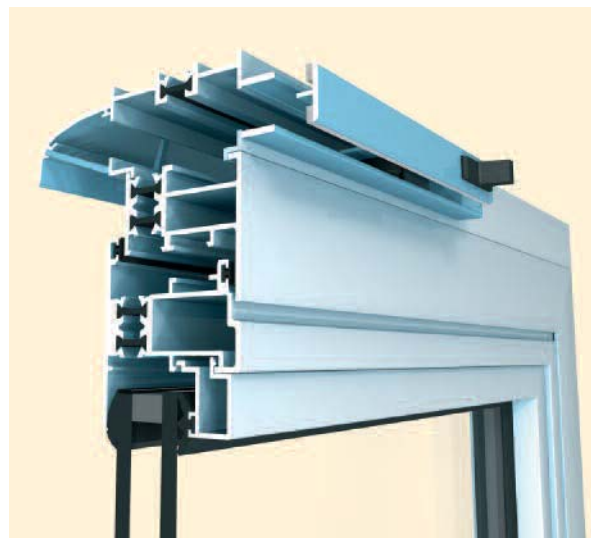
Suffix product code with:
 -020 (white), -001 (SAA) (Canopy -026), -023 (brown)

More information

Contact the distributor for your country, details at www.titon.com.



Through Sash



Through Add-on Section