

# Trimvent® 90 Hi Lift

## Aluminium slot ventilator



Trimvent® 90 Hi Lift Ventilator

Trimvent® 90 Hi Flow Canopy

### For use on PVCu, timber or aluminium windows

Trimvent 90 Hi Lift is a semi-recessed aluminium slot ventilator that fits over a 16mm slot in a window and provides an Equivalent Area (EA) of up to 8600mm<sup>2</sup> when fitted with the Hi Flow canopy. The TV90 Hi Lift is ideal for both new build or refurbished situations using any window material and is available in a variety of colours.

The Hi Lift design improves the Trimvent range to offer increased ventilation giving optimum airflow (and therefore Equivalent Area) utilising existing Trimvent slot sizes

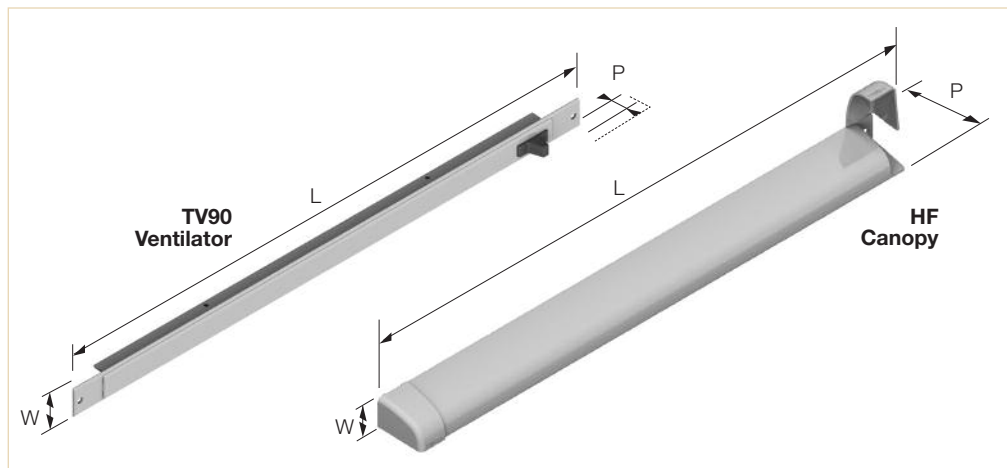
and vent lengths, meaning they are 60% more efficient than previous models.

Specifically developed for recent revisions to Part F of the Building Regulations, Ventilation (England & Wales), and to improve performance for requirements throughout the UK and Europe.

Trimvent 90 range of ventilators have been specified and fitted on millions of windows throughout the UK and mainland Europe over the last thirty-five years.

### Features and Benefits

- Revised design to improve performance and Regulations compliance
- T-bar deflects air up and down
- Compression closing action
- For use on 16mm slot
- Based on successful Trimvent® principle
- Unique linkages ensure constant friction and smooth action
- Canopy features integral screw covers
- Special colours available on request
- Felted gasket for increased performance



## Details

Product	Product Code	(L) Length	(W) Width	(P) Projection Closed-Open	EA (mm <sup>2</sup> )	Free Area (mm <sup>2</sup> )	Slot Detail
TV90 HL 2500EA 300 vent	TA634	300	22	17 - 27	2500	2649	262
HF 303 canopy	TA6057	303	24	36.5			16
TV90 HL 4300EA 425 vent	TA631	425	22	17 - 27	4300	4184	387
HF 441 canopy	TA6054	441	24	36.5			16
TV90 HL 5000EA 525 vent	TA635	525	22	17 - 27	5000	5308	487
HF 529 canopy	TA6058	529	24	36.5			16
TV90 HL 8600EA 835 vent	TA633	835	22	17 - 27	8600	8368	395
HF 844 canopy	TA6056	844	24	36.5			7

EA figures above and marked on vents are achieved when fitted to manufacturer's recommendations. Tested in accordance with BS:EN 13141-1 (2004).

### Manufactured from

Aluminium 6063 HIT T6, component parts PVCu, POM & PP (UV Stable)

### Recommended screws

3.5mm (No.6) Round Head or equivalent

### Standards

Tested in accordance with BS EN 13141-1:2004 (air flow, air leakage and weather tightness)

Acoustic performance tested in accordance with BS EN ISO20140-10:1992, BS EN ISO140-10:1991 and single figures to BS EN ISO717-1:1991

### Performance

(Full test details available on request)

Equivalent Area – See above

Free Area – See above

Air Leakage (m<sup>3</sup>/hr @ 50Pa) – 1.09 (4300EA version)

Water Resistance (Pa) – 600

Acoustic D<sub>n,e,w</sub> (+/-) – vent open 31 (0;1),

vent closed 42 (-1;-2)

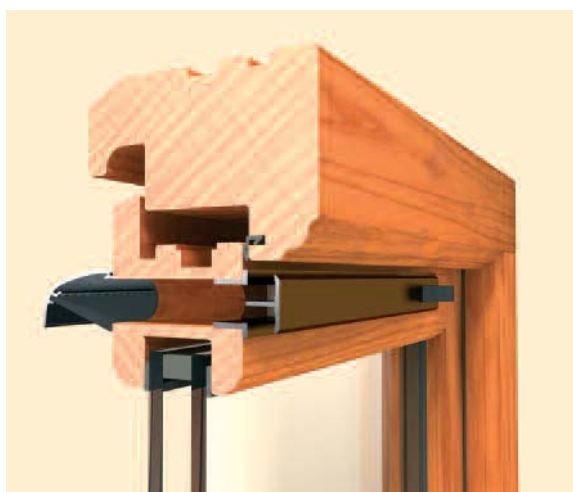
### Finishes

Suffix product code with:

-020 (white), -001 (SAA) (Canopy -026), -023 (brown)

### More information

Contact the distributor for your country, details at [www.titon.com](http://www.titon.com).



Through Sash