

# Trimvent® Select E18

## Recessed clip-fix slot ventilator



Trimvent® Select E18 Ventilator

Trimvent® Select GS18 Grilles

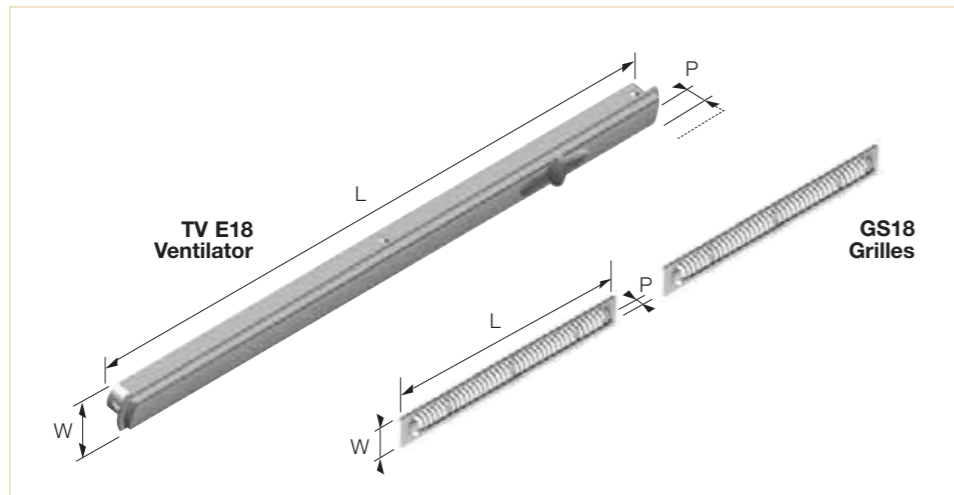
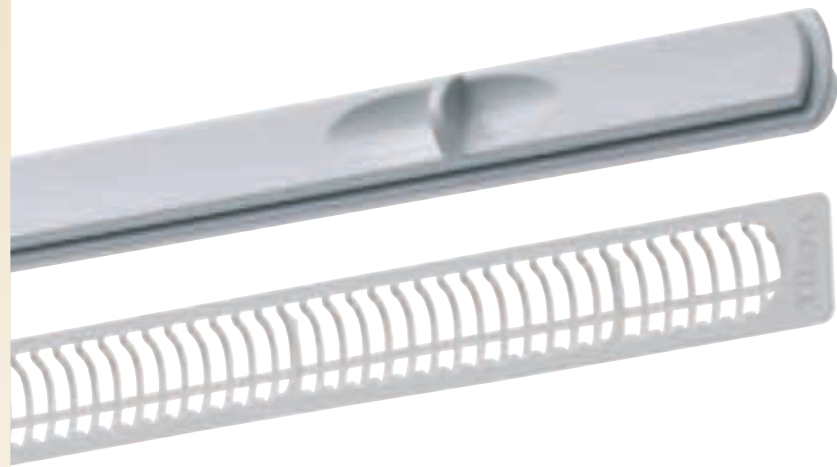
### For use on PVCu windows

Trimvent Select E18 is a semi recessed clip fix plastic slot ventilator that fits into an 18mm slot in a window overhead section or cavity closer and provides an Equivalent Area (EA) of 4200mm<sup>2</sup> when fitted with a pair of GS18 grilles. The E18 is ideal for both new build and refurbishment situations using PVCu

windows and is available in a variety of colours. Trimvent Select ventilators have been specified and fitted on millions of windows throughout the UK and mainland Europe over the last fifteen years.

### Features and Benefits

- Revised design to improve performance and Regulations compliance
- Unique occupant controllable tilting T-bar
- Deflects air up or down, or both
- Ideal for overhead sections
- Push to fit, no tools or screws required
- Minimal projection (when closed) for ease of window stacking
- Flange covers slot edges
- Clips into an 18mm slot
- For use with GS18 grilles
- Based on successful Trimvent® principle
- Sculpted finger recess
- Patented and registered design
- Remote control vent available
- When specified correctly complies with Building Regulations



### Details

Product	Product Code	(L) Length	(W) Width	(P) Projection Closed-Open	EA (mm <sup>2</sup> )	Free Area (mm <sup>2</sup> )	Slot Detail
E18 4200EA vent	TS1134212	372	24	13 - 23	4200	4247	366 18
GS18 210 pair grilles	TS3184050	210 X 2	25	1.5	4200	4608	194 20 194 18

Note: Vent can only be used on sections with wall thickness of 2 - 2.5mm. Slot tolerances of ± 0.5mm are required. EA figures above and marked on vents are achieved when fitted to manufacturer's recommendations. Tested in accordance with BS:EN 13141-1 (2004).

### Manufactured from

PBTP (UV Stable) & POM, GS18 – PP

### Standards

Tested in accordance with BS EN 13141-1:2004 (air flow, air leakage and weather tightness)

Acoustic performance tested in accordance with BS EN ISO20140-10:1992, BS EN ISO140-10:1991 and single figures to BS EN ISO717-1:1991

### Performance

(Full test details available on request)  
 Equivalent Area – See above  
 Free Area – See above  
 Air Leakage (m<sup>3</sup>/hr @ 50Pa) – 2.31 (with GS18)  
 Acoustic D<sub>n,e,w</sub> (+/-) – vent open 31 (-1;-1),  
 vent closed 43 (-1;-2)

### Finishes

Suffix product code with:  
 -392 (white), -315 (brown)

### More information

enquiries@titon.co.uk / 01206 713801



Overhead Section