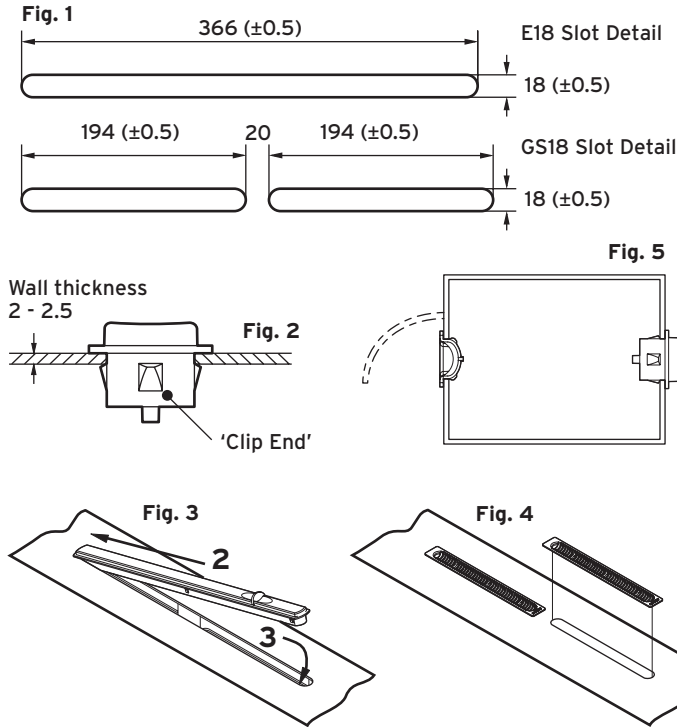


Diagram



Instructions

PLEASE TRIAL FIT ON PRODUCTION PROFILE, AS FIT OF PRODUCT IS DEPENDENT ON EXACT PROFILE DESIGN.

1. Machine slots as shown. (Fig. 1).
(Note: different detail for vent and grille)
Where two vents are to be fitted together, a minimum 10mm bridge should be left between slots.
2. Insert the 'Clip End' of the vent (Fig. 2) into slot at a maximum angle of 15° to the section (Fig. 3).
3. With the clip located under the slot edge, press firmly and gently on the middle of the ventilator (do not hit) and then press again at the other end to fully locate ventilator in slot (Fig. 3).
4. Clip grilles into slots by pushing firmly along length to ensure all clips are located securely within slot (Fig. 4).

N.B.: When fitting two ventilators on a single window, it may be necessary to fit 'Clip End' of ventilators outwards to ensure the 'deflectors' do not interfere with each other. See below.



Other Details	E18 Ventilator	GS18 Grilles
Overall Size	372 x 24	210 x 25 (x2)
Projection (fitted)	13 - 23	1.5
Equivalent Area (EA) *	4200mm ²	
Free Area	4247mm ²	4608mm ² (combined)

All dimensions in mm unless otherwise stated
EA = Equivalent Area

* Tested in accordance with BS:EN 13141-1 (2004)

Any significant variation in application from BS:EN 13141-1 (2004) shown in Fig. 5 will affect the EA performance of the product combination.

MARKETING DIVISION

International House, Peartree Road, Stanway, Colchester, Essex CO3 0JL
Tel: +44 (0) 1206 713800 Fax: +44 (0) 1206 543126 Web: www.titon.com