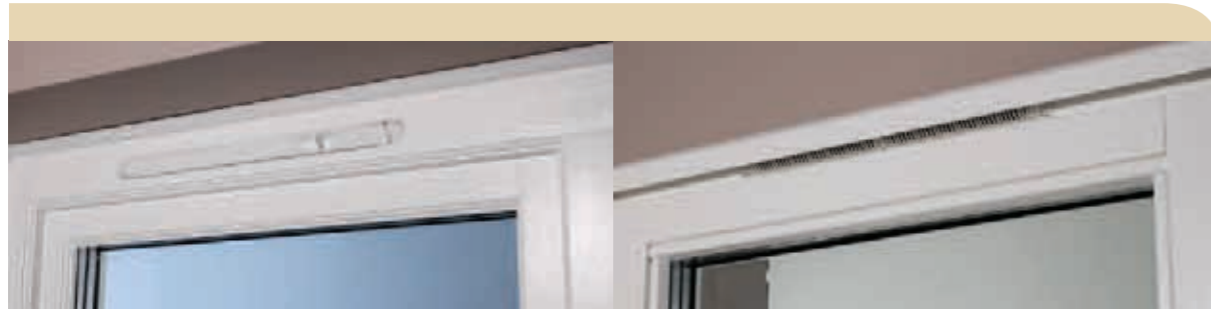


Trimvent® Select Xtra R16

Recessed slot ventilator



Trimvent® Select Xtra R16 Ventilator

Trimvent® Select Xtra XHD16 Grille

For use on timber windows

Trimvent Select Xtra R16 is a fully recessed plastic slot ventilator that fits over a 16mm slot in a window and provides an Equivalent Area (EA) of 4600mm² when fitted with the XHD16 grille or XC16 canopy. The XR16 is ideal for both new build or refurbished situations using timber windows and is available in a variety of colours.

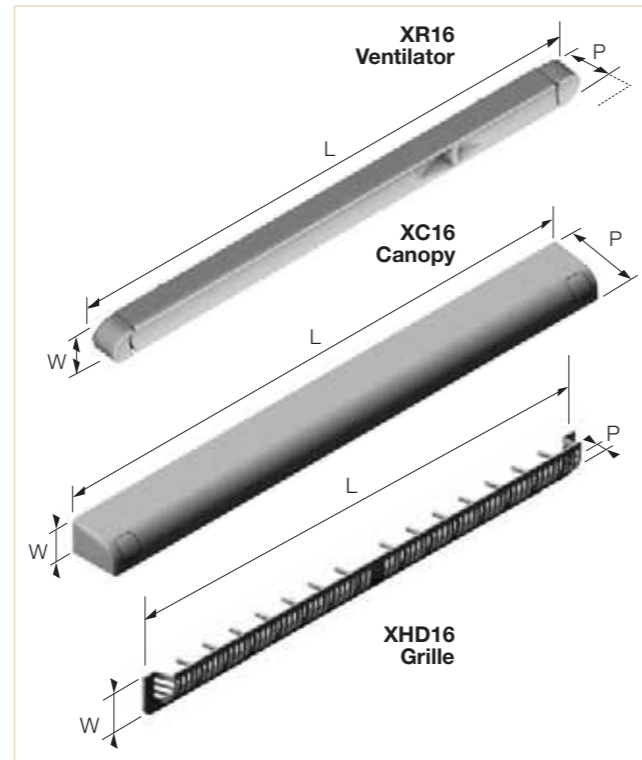
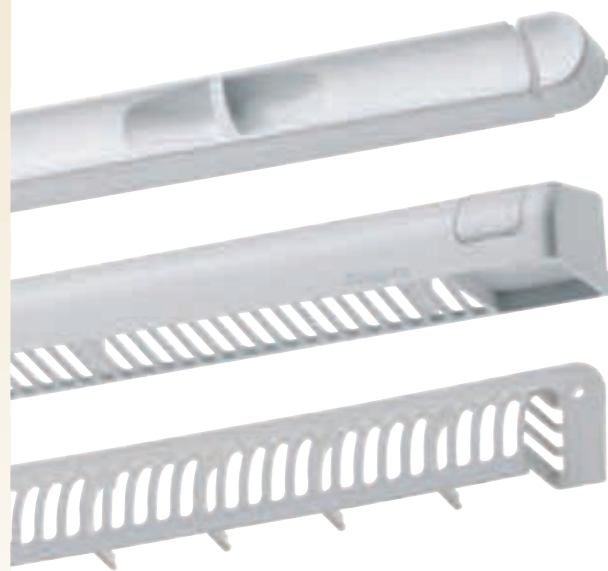
The Xtra design improves the Trimvent Select range to offer increased ventilation giving optimum airflow (and therefore Equivalent Area) utilising existing Trimvent

Select slot sizes and vent lengths, meaning they are 60% more efficient than previous models. Specifically developed for recent revisions to Part F of the Building Regulations, Ventilation (England & Wales), and to improve performance for requirements throughout the UK and Europe.

Trimvent Select ventilators have been specified and fitted on millions of windows throughout the UK and mainland Europe over the last fifteen years.

Features and Benefits

- Revised design to improve performance and Regulations compliance
- Unique occupant controllable tilting T-bar
- No projection (when closed) for ease of window stacking
- Recesses over 16mm slot
- Based on successful Trimvent® principle
- Sculpted finger recess
- Matching screw covers
- Patented and registered design
- Supplied with paint protection adhesive cover
- When specified correctly complies with Building Regulations



Details

Product	Product Code	(L) Length	(W) Width	(P) Projection Closed-Open	EA (mm ²)	Free Area (mm ²)	Slot Detail
XR16 4600EA vent	TS1164630	351	21 - 32	0 - 18.5	4600	4530	151 10 151 16*
XC16 364 canopy	TS2164040	364	22	32.5			
XR16 4600EA vent	TS1164630	351	21 - 32	0 - 18.5	4600	5345	151 10 151 16*
XHD16 grille**	TS3164030	358	26	13.5			

* Slot detail should also include a 352 x 22 x 16 recess for the ventilator.

** Special preparation required for XHD16 Grille. See Titon Fixing Instructions for full details.

EA figures above and marked on vents are achieved when fitted to manufacturer's recommendations. Tested in accordance with BS:EN 13141-1 (2004).

Manufactured from

PBTP (UV Stable) & POM, XHD16 – PP, Canopy - PVCu

Recommended screws

3.5mm (No.6) Pan Head or equivalent

Standards

Tested in accordance with BS EN 13141-1:2004 (air flow, air leakage and weather tightness)

Acoustic performance tested in accordance with BS EN ISO20140-10:1992, BS EN ISO140-10:1991 and single figures to BS EN ISO717-1:1991

Performance

(Full test details available on request)

Equivalent Area – See above

Free Area – See above

Air Leakage (m³/hr @ 50Pa) – 6.04 (with XHD16), 2.43 (with XC16)

Water Resistance (Pa) – Vent & Canopy 600, Vent & Grille 300

Acoustic D_{n,e,w}(+/-) – vent open 31 (0;1), vent closed 40 (-1;-1)

Finishes

Suffix product code with:
-392 (white), -315 (brown)

More information

enquiries@titon.co.uk / 01206 713801



Through Frame (with XC16)



Through Frame (with XHD16)