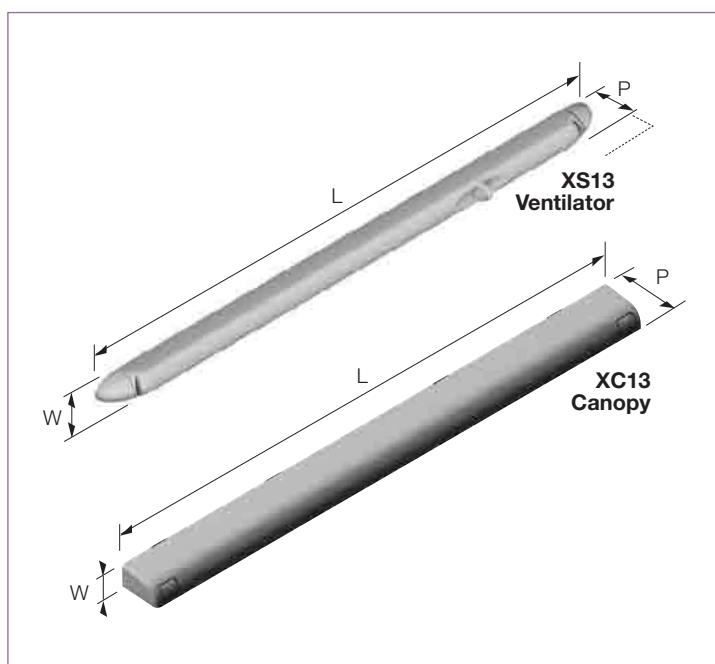
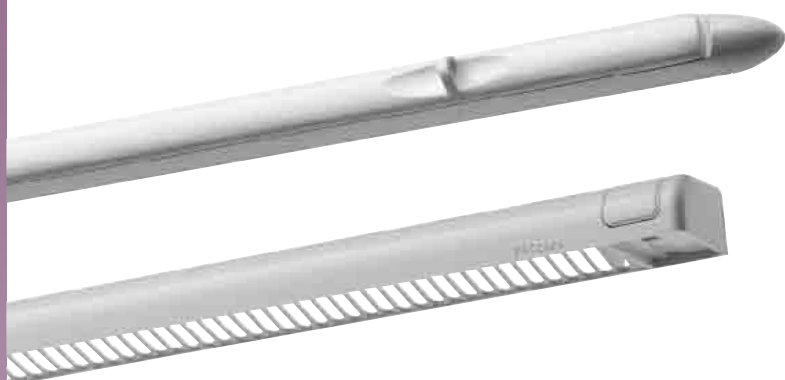


# Trimvent® Select Xtra S13

## Surface mounted plastic slot ventilator



### Features and Benefits

- Revised design to improve performance and Regulations compliance
- Unique occupant controllable tilting T-bar
- Rounded unobtrusive shape
- Can be fitted on the sash, frame or overhead section
- For use over 13mm slot
- Based on successful Trimvent® principle
- Sculpted finger recess
- Matching screw covers
- Patented and registered design
- Remote control vent available
- Sleeve available to seal profiles

### Performance

(Full test details available on request)

Equivalent Area - see below, Free Area - see below

#### Air Leakage (m³/hr @ 50Pa)

screw fix - 2.42  
clip fix - 7.29  
5000 version screw fix - 4.57  
clip fix - 5.69

#### Water Resistance (Pa)

4400EA version - 600Pa  
5000EA version - 450Pa

#### Acoustic $D_{n,e,w}$ (+/-)

4400EA version -  
vent open 32 (0;1)  
vent closed 41 (0;-1)  
5000EA version -  
vent open 32 (-1;0)  
vent closed 35 (0;0)



Product	(L) Length	(W) Width	(P) Projection	EA (mm²)	Free Area (mm²)	Slot Detail
XS13 4400EA Vent screw fix	411	18.5 - 30	20 - 27	4400	4285	173.5 20 173.5 13
XC13 412 Canopy screw fix	411	17	32.5	4400	5027	13
XS13 5000EA Vent screw fix	497	18.5 - 30	20 - 27	5000	5230	215 20 215 13
XC13 497 Canopy screw fix	497	17	32.5	5000	6258	13

EA figures achieved when fitted to manufacturer's recommendations. Tested in accordance with BS:EN 13141-1 (2004).

\*Special preparation required for GS22 Grilles. See Titon fixing instructions for full details.