

# Trimvent® SM

Aluminium slot ventilator



Trimvent® SM Ventilator

Suitable for:

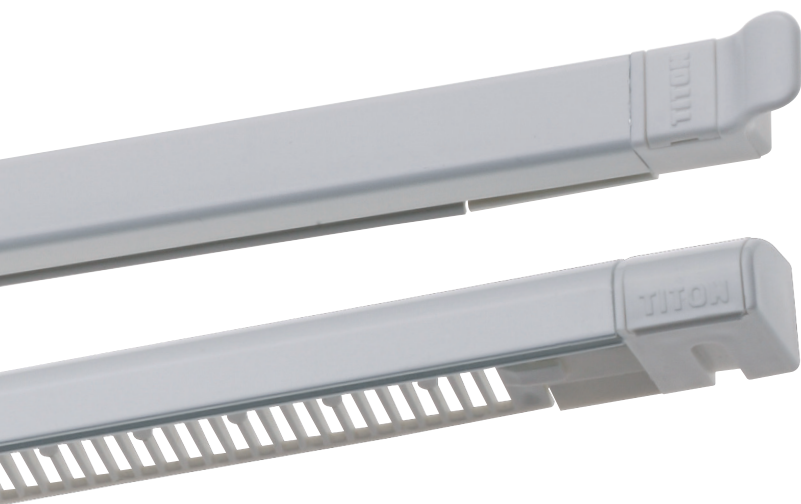


Trimvent SM vent is a surface mounted aluminium slot ventilator that fits over a 10mm or 12mm slot in a window and provides an Equivalent Area (EA) of up to 5000mm<sup>2</sup> when fitted with an SM canopy.

The Trimvent SM is available in made to measure sizes or in bar length in a variety of colours.



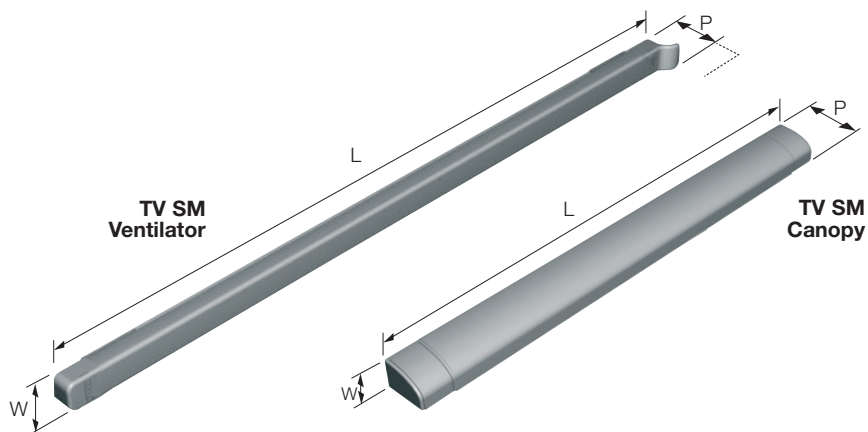
Trimvent® SM Canopy



## Features and Benefits

- Compression closing action
- For use over 10mm or 12mm slot, ideal for slim sections
- Flexible PVCu seal for improved weather tightness
- Ideal for retrofit applications, over a slot or series of holes\*
- Available in bar length for cutting to size by customer (details on request)
- Special paint finishes available
- Based on successful Trimvent® principle
- Deflects air up and down
- Thermally insulated
- Matching screw covers
- Patented design
- When specified correctly complies with Building Regulations

\*This may not achieve the marked Equivalent Area



Product	Product Code	(L) Length	(W) Width	(P) Projection Closed-Open	EA (mm <sup>2</sup> )	Free Area (mm <sup>2</sup> )	Slot Detail / Free Area of Slot (mm <sup>2</sup> )
SM 1500EA 314 vent (10mm slot)	TA902	314	15	15.5 - 23			
SM 302 plastic canopy	TA906	302	17	24.5	1500	2048	
SM 302 aluminium canopy	TA906	302	17	24.5			
SM 1500EA pack	TA952						
SM 2900EA 457 vent (12mm slot)	TA903	457	15	15.5 - 23			
SM 445 plastic canopy	TA907	445	17	24.5	2900	4006	
SM 445 aluminium canopy	TA907	445	17	24.5			
SM 2900EA pack	TA953						
SM 3500EA 544 vent (10mm slot)	TA901	544	15	15.5 - 23			
SM 532 plastic canopy	TA905	532	17	24.5	3500	4097	
SM 532 aluminium canopy	TA905	532	17	24.5			
SM 3500EA pack	TA951						
SM 4000EA 635 vent (12mm slot)	TA909	635	15	15.5 - 23			
SM 588 aluminium canopy	TA912	588	17	24.5	4000	6027	
SM 5000EA 700 vent (12mm slot)	TA913	700	15	15.5 - 23			
SM 705 aluminium canopy	TA914	705	17	24.5			

Bar length codes on request.

EA figures above and marked on vents are achieved when fitted to manufacturer's recommendations.

Tested in accordance with BS:EN 13141-1 (2004).

## Manufactured from

Vent – Aluminium 6063 HIT T6 & PVCu seal, canopy – Aluminium 6063 HIT T6, PP (UV Stable)

## Recommended screws

3.5mm (No.6) Pan or Round Head or equivalent

## Standards

Tested in accordance with BS EN 13141-1:2004 (airflow, air leakage and weather tightness)

Acoustic performance tested in accordance with BS EN ISO20140-10:1992, BS EN ISO140-10:1991 and single figures to BS EN ISO717-1:1991

## Performance

(Full test details available on request)

Equivalent Area – See above

Free Area – See above

Air Leakage (m<sup>3</sup>/hr @ 50Pa) – 1.72 (2900EA version)

Water Resistance (Pa) – 750

Acoustic D<sub>n,e,w</sub> (+/-) – 2900EA version – vent open 33 (-1;0),

vent closed 51 (-1;-4)

## Finishes

Suffix product code with:

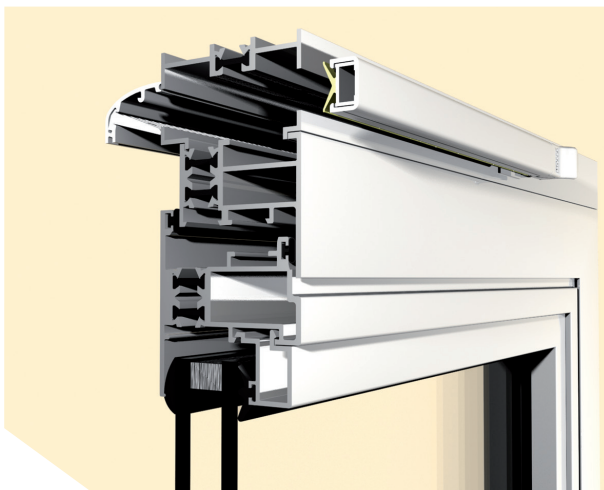
-020 (white), -023 (brown), -002 (black),

PVCu Canopy: -393 (white)

Other colours available contact sales for details

## More information

enquiries@titon.co.uk / 01206 713801



Add-on section