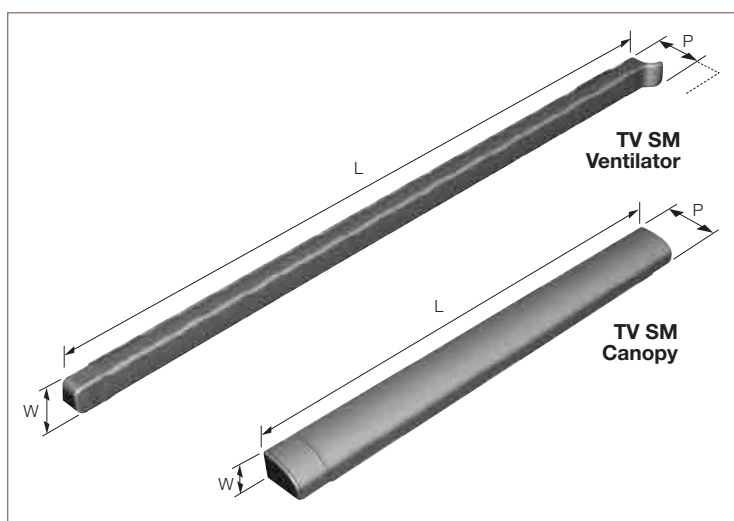
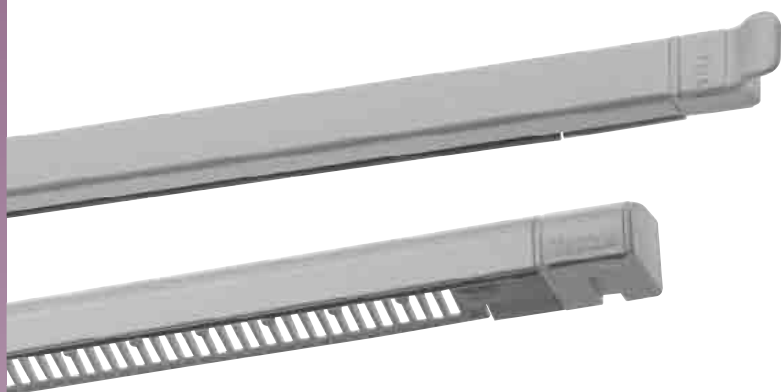


Trimvent® SM

Aluminium slot ventilator



Features and Benefits

- Compression closing action
- For use over 10mm or 12mm slot, ideal for slim sections
- Flexible PVCu seal for improved weather tightness
- Supplied made to measure or in bar length
- Special paint finishes available
- Based on successful Trimvent® principle
- T-bar deflects air up and down
- Thermally insulated
- Matching screw covers
- Patented design

Performance

(Full test details available on request)

Equivalent Area – See above.

Free Area – See above.

Air Leakage (m³/hr @ 50Pa)

1.72 (2900EA version)

Water Resistance (Pa)

750

Acoustic D_{n,e,w} (+/-)

2900EA version -

vent open 33 (-1;0), vent closed 51 (-1;-4)



Product	(L) Length	(W) Width	(P) Projection	EA (mm²)	Free Area (mm²)	Slot Detail
SM 1500EA 314 Vent (10mm slot)	314	15	15.5 - 23	1500	2048	209 ————— 10
SM 302 Aluminium Canopy	302	17	24.5			
SM 2900EA 457 Vent (12mm slot)	457	15	15.5 - 23	2900	4006	169.5 13 169.5 ————— 12
SM 445 Aluminium Canopy	445	17	24.5			
SM 3500EA 544 Vent (10mm slot)	544	15	15.5 - 23	3500	4097	212 15 212 ————— 10
SM 532 Aluminium Canopy	532	17	24.5			
SM 4000EA 635 Vent (12mm slot)	635	15	15.5 - 23	4000	6027	170 10 170 10 170 ————— 12
SM 588 Aluminium Canopy	588	17	24.5			
SM 5000EA 700 Vent (12mm slot)	700	15	15.5 - 23	5000	6750	190 12.5 190 12.5 190 ————— 12
SM 705 Aluminium Canopy	705	17	24.5			

Bar length codes on request.

EA figures achieved when fitted to manufacturer's recommendations. Tested in accordance with BS:EN 13141-1 (2004).