

# Variglaze

## Slim thermally improved glazed-in ventilator



Variglaze Ventilator (inside)

Variglaze Ventilator (outside)

### For use on PVCu, timber\* or aluminium windows

Variglaze is a thermally improved glazed-in aluminium ventilator that provides an Equivalent Area (EA) of 5400mm<sup>2</sup> per metre of extrusion (equal to vent length minus 78mm). Slim size minimises impact on window sight size. The Variglaze is available in made to measure sizes or in bar length in a variety of colours.

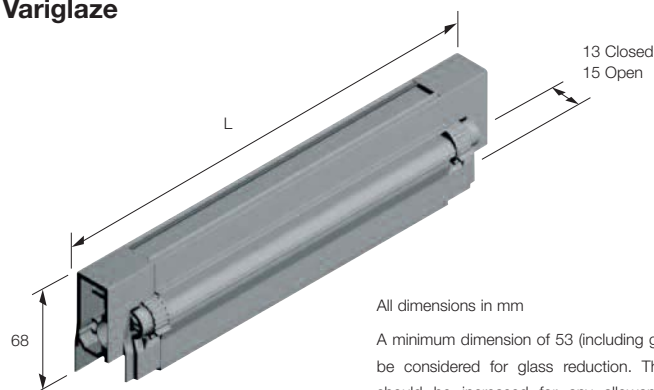


\*Suitability on timber windows dependent on bead fitting method and sealing. Please phone for further details.

### Features and Benefits

- Slim size minimises impact on window sight size
- 2500mm<sup>2</sup> EA at 540mm long  
5000mm<sup>2</sup> EA at 1005mm long
- Supplied made-to-measure or in bar length (pre painted only)
- Bar length for cutting to size by customer (pre painted only)
- Suitable for 20, 22, 24 or 28mm glass thicknesses
- Aluminium or white plastic canopy
- Dual hardness flap gasket improves weather tightness
- Minimal projection for inline patio doors
- Thermally improved
- Available in Gas Regulations version, complies with BS5440 Part 2
- Retrofit or fitted cord control unit

### Variglaze



All dimensions in mm

A minimum dimension of 53 (including gasket) should be considered for glass reduction. This dimension should be increased for any allowances in fitting beads, gaskets etc., or for manufacturing tolerances.

## Details

Length	Product Code			
	20mm Glass Thickness	22mm Glass Thickness	24mm Glass Thickness	28mm Glass Thickness
178-299	GV12301	GV12351	GV12401	GV12501
300-399	GV12302	GV12352	GV12402	GV12502
400-499	GV12303	GV12353	GV12403	GV12503
500-599	GV12304	GV12354	GV12404	GV12504
600-699	GV12305	GV12355	GV12405	GV12505
700-799	GV12306	GV12356	GV12406	GV12506
800-899	GV12307	GV12357	GV12407	GV12507
900-999	GV12308	GV12358	GV12408	GV12508
1000-1199	GV12309	GV12359	GV12409	GV12509
1200-1500	GV12310	GV12360	GV12410	GV12510

EA figures above and marked on vents are achieved when fitted to manufacturer's recommendations. Tested in accordance with BS:EN 13141-1 (2004).

### Manufactured from

Aluminium 6063 HIT T6, component parts PVCu, POM, PA6 & PP (UV Stable)

### Standards

Tested in accordance with BS EN 13141-1:2004 (air flow, air leakage and weather tightness)

Acoustic performance tested in accordance with BS EN ISO20140-10:1992, BS EN ISO140-10:1991 and single figures to BS EN ISO717-1:1991



Over glass

### Performance

(Full test details available on request)

Equivalent Area (EA) (mm<sup>2</sup>) – 5400 per metre of extrusion

Free Area (mm<sup>2</sup>) – 9650 per metre of extrusion

Air Leakage (m<sup>3</sup>/hr @ 50Pa) – 500mm overall length - 2.49

Water Resistance (Pa) – 300

Acoustic D<sub>n,e,w</sub> (+/-) – 500mm overall length -

vent closed 48 (-1;-1), vent open 33 (0;-2)

### Finishes

Suffix product code with:

-387 (white with white PVCu canopy), -020 (white with white aluminium canopy), -475 (white with black aluminium canopy)

### More information

Contact the distributor for your country, details at [www.titon.com](http://www.titon.com).