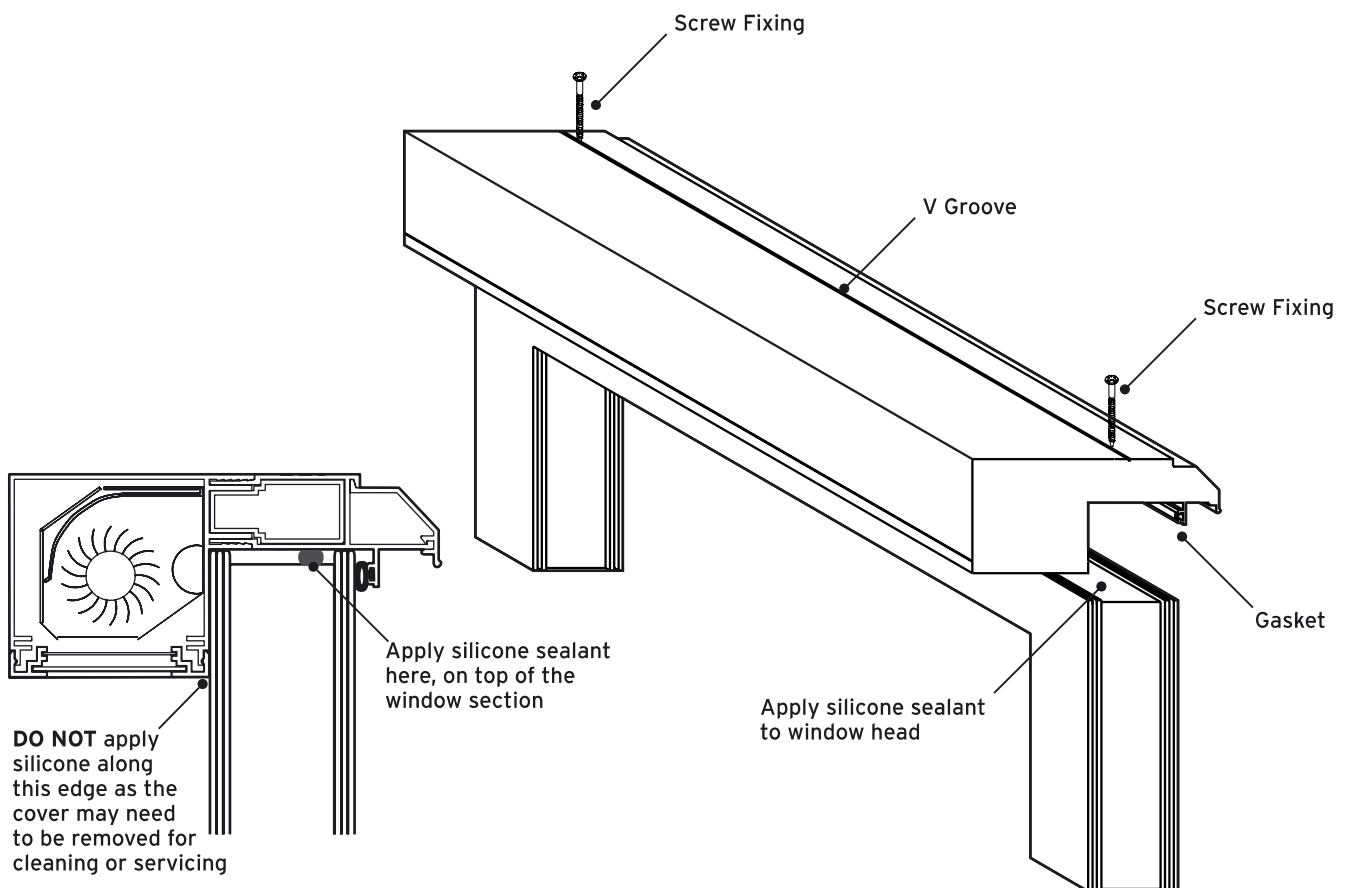


1. Before applying the VENT-TREX unit to the window head, it is recommended VENT-TREX unit and host window are measured to ensure correct fit to structural opening without obstruction.
2. Apply silicone sealant (such as non-acidic low modulus silicone rubber to BS 5889: 1989) to top of window head section towards outside edge.
3. Fit VENT-TREX unit to window head ensuring gasket makes good contact.
4. Pre drill screw fixing holes along V groove located on overhead section. For units up to 900mm two 4.5mm Ø pan head screw fixings are recommended as close to ends as practicable (without interfering with window joints). For units over 900mm additional intermediate fixings are recommended at approx 700mm maximum hole centres.
Do not over tighten fixing screws.
5. Fit window complete with VENT-TREX into opening. Ensure electrical flex is not hindered.
6. Point gap between VENT-TREX and surrounding substrate externally to provide weatherseal using silicone sealant (such as non-acidic low modulus silicone rubber to BS 5889: 1989).

Cut pull cord to suitable length for operation.

Sealant is not necessary along edge of VENT-TREX adjacent to window profile. (See Diagram Below)

Contact the Titon Technical Department on 01206 713800 if you encounter any problems whilst fitting.

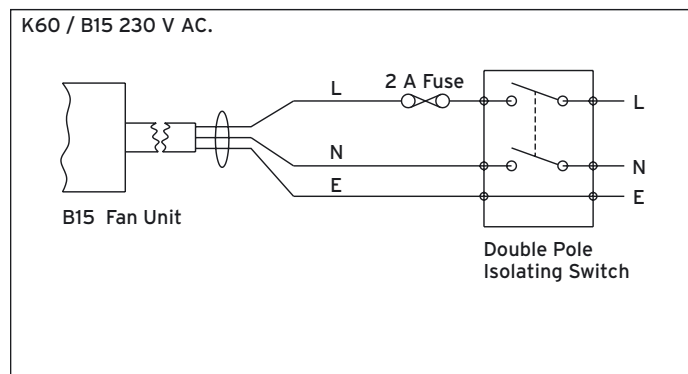


Gas Safety Warning

Open flue gas appliances - Care should be taken to ensure extract fan does not cause spillage of flue gases. We recommend consultation with a qualified and CORGI registered engineer prior to fitting.

Connection to the Electrical Supply:

- All wiring must comply with current edition of IEE Wiring Regulations (BS 7671) and be carried out by a suitably qualified person.
- Always isolate electrical supply prior to carrying out any work on a VENT-TREX unit.
- All VENT-TREX units are supplied complete with flex ready to connect to an appropriate electrical supply point.



B15 Remote PSU Option:

- Where a VENT-TREX B15 is to be fitted with remote PSU (power supply unit), it should be noted the PSU is not suitable for fitting in the bathroom, and requires double patress back box with minimum depth of 40mm.

