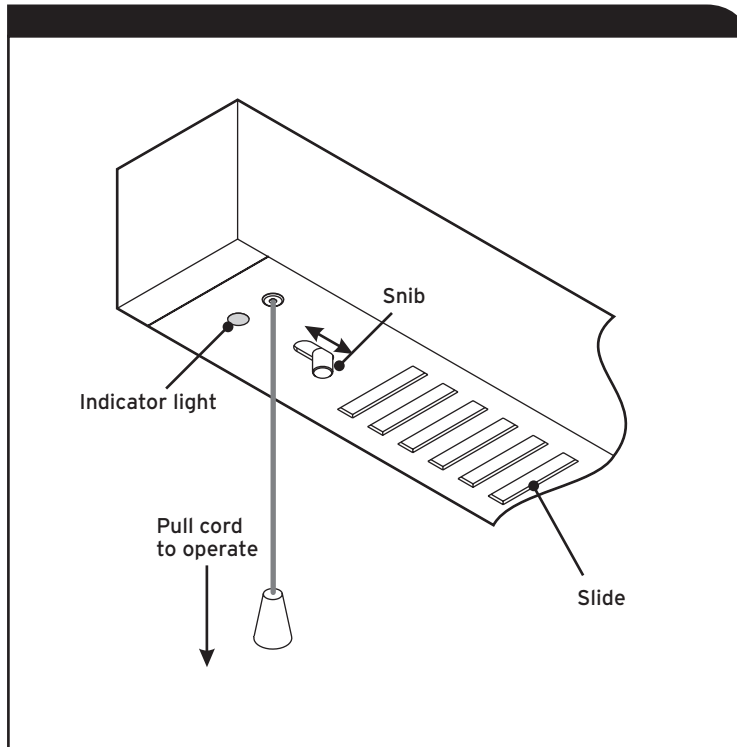


VENT-TREX

Operation & Maintenance
Bathroom Version
(Single Speed Fan with Humidistat) (HB)



Instructions

Operation:

The unit can be used in two ways, as an extractor fan or a trickle ventilator.

For trickle ventilator facility use snib to open slide. This allows air to move naturally between inside and outside of window.

Bathroom Extract Fan: (Single speed fan with humidistat)

1. Use snib to open slide and pull cord to turn fan on, the indicator light will come on.
2. Fan will run until humidity drops to the humidistat determined level then automatically stop.
3. Fan will re-start automatically should the humidity exceed determined level.
4. To start fan running regardless of humidity, for example to extract smells, pull cord twice quickly.
5. To turn fan off pull cord once and indicator light will go out.

Maintenance:

WARNING - ISOLATE VENT-TREX FROM ELECTRICITY SUPPLY BEFORE CLEANING!

The units are designed to be maintenance free under normal use. External faces to be cleaned using a damp cloth and mild domestic detergent. Stains not removable with soapy water may be removable using domestic non-abrasive cleaner. Do not use to excess as they may affect finish.

MARKETING DIVISION

International House, Peartree Road, Stanway, Colchester, Essex CO3 0JL

Tel: +44 (0) 1206 713800 Fax: +44 (0) 1206 543126 Web: www.titon.com