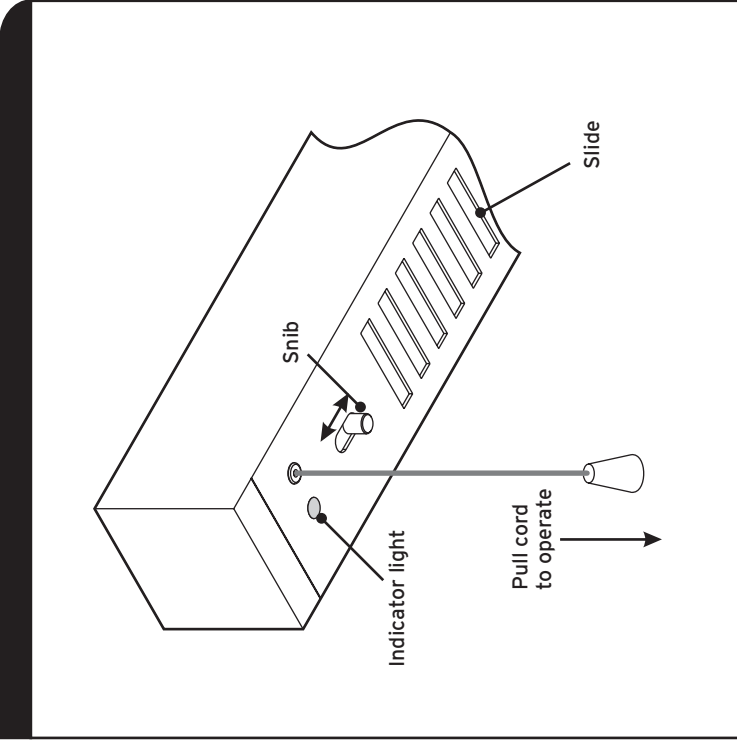


VENT-TREX

Operation & Maintenance
Kitchen Version
(Two Speed Fan) (K & VSK)



Instructions

Operation:

The unit can be used in two ways, as an extractor fan or a trickle ventilator.
For trickle ventilator facility use snib to open slide. This allows air to move naturally between inside and outside of window.

Kitchen Extract Fan: (Two speed fan)

1. Use snib to open slide and pull cord to turn fan on, the indicator light will come on.
2. Fan will run at high speed for approx 7 minutes, then automatically reduce to low speed.
3. Pull cord twice quickly to switch fan speed from low to high (7 minute high speed run still applies) or from high to low.
4. Pull cord once to turn fan off and indicator light will go out.

Maintenance:

WARNING - ISOLATE VENT-TREX FROM ELECTRICITY SUPPLY BEFORE CLEANING!

The units are designed to be maintenance free under normal use. External faces to be cleaned using a damp cloth and mild domestic detergent. Stains not removable with soapy water may be removable using domestic non-abrasive cleaner. Do not use to excess as they may affect finish.