

VENT-TREX®

Product Guide

VENT-TREX®

Over-head extract/background ventilator

Product Guide

Contents	Page
Contents	1
Catalogue page	2
Case study – Manchester City Council 2003	3
Case study – LB Southwark 2006	4
EC Declaration Of Conformity	5
Specifier's text	6
Pricing/order measuring guide (side 1)	7
Pricing/order sheet (side 2)	8
Fitting & assembly instructions	9
Fitting & assembly instructions - wiring diagrams	10
Operation & maintenance - Kitchen Version - Two Speed Fan (K & VSK) Kitchen Version - Two Speed Fan with Humidistat (HK)	11
Operation & maintenance - Bathroom Version - Single Speed Fan (B) Bathroom Version - Single Speed Fan with Humidistat (HB)	12



Over-head extract/background ventilator

Features

- Unique combined extract or background ventilator
- Integral with window, ideal for refurbishment situations
- Avoids damage to building fabric
- Easy to install
- Reduced installation costs
- Bathroom version - single speed (15 l/s *)
- Kitchen version - two speed (60 l/s and 30 l/s *)
- 2500mm² EA Minimum
- Bathroom model free area:
Integral PSU (length 540-2500mm): 5280mm² min.
Remote PSU (length 410-2500mm): 5280mm² min.
- Kitchen model free area:
Length 960-2500mm: 9000mm²
- Low energy usage
- Easy to clean
- IP24 rating
- Pull cord switch and power light (dependant on model)
- Humidistat option available (integral or remote)
- Available with remote PSU
- Continuous power or continuous running versions
- Variable speed version
- 2 year guarantee
- Available in white (to match RAL 9010) or, depending on quantity, brown

Specification

Option	Bathroom Model	Kitchen Model
Minimum length (remote PSU)	300mm	450mm
Minimum length (integral PSU)	440mm	610mm (640mm Cont. Running version)
Minimum length to achieve rate shown (remote PSU)	15 l/s: 410mm	30 l/s & 60 l/s: 1040mm*
Minimum length to achieve rate shown (integral PSU)	15 l/s: 540mm	30 l/s & 60 l/s: 1200mm*
Maximum length	2500mm	2500mm
Minimum length to achieve 2500mm ² EA	300mm	450mm

* Airflow is reduced at lengths less than 1200mm Kitchen version with integral PSU or 1040mm with remote PSU & reduced fan rotor lengths on Bathroom version.

230V AC Voltage / Power Consumption (standard versions)

12V Bathroom - 5W @ 15 l/s (540mm length) (Integral PSU)

24V Kitchen - 38W @ 60 l/s (1200mm length) (Integral PSU)

Motor Protection: IP24 Rating CE marked according to LVD and EMC directives

Acoustic Properties

Details available on request

Specifiers Text

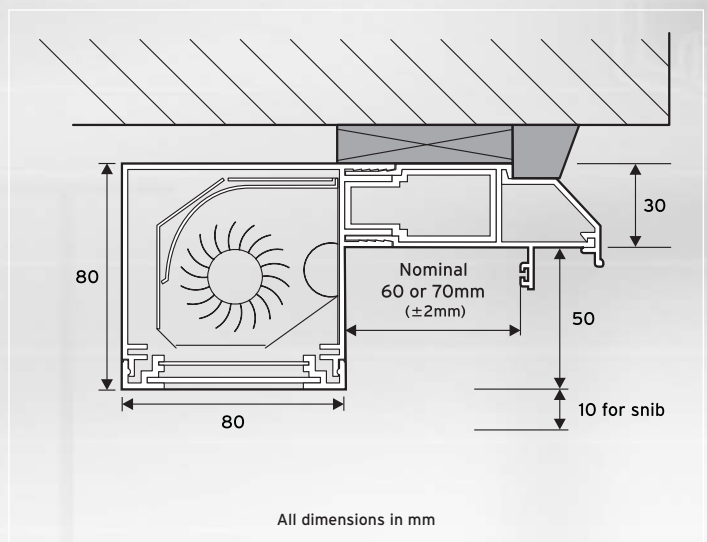
Available on request



VENT-TREX



VENT-TREX over-head



VENT-TREX®

Over-head extract/background ventilator

Case study – Manchester City Council 2003

After installation



Before installation



VENT-TREX®

Over-head extract/background ventilator

Case study – LB Southwark 2006

Interior



Exterior



VENT-TREX®

Over-head extract/background ventilator

EC Declaration Of Conformity

EC Declaration Of Conformity

This is to certify that

**VENT-TREX Window Fan
Models K60F and B15F (rated 230V ac)**

conforms with the protection
requirements of the
European Directive 89/336/EEC,
relating to Electrical Safety Standards.

By Application of the following standards;

BS EN 61000-6-3 2001 Emission Standard

BS EN 61000-6-1 2001 Immunity Standard

BS EN 60335-1: 1994/A16: 2001 Electrical Safety

BS EN 60529: 1991/A1: 2000 Water Ingress

Confirmed by:

James B Hypton

Date:

22.12.03

On behalf of:

CVS - COMBINED EXTRACT/BACKGROUND VENTILATION SYSTEMS

VENT-TREX®

Over-head extract/background ventilator

Specifier's text

Combined extract and background overhead window ventilator units, Titon VENT-TREX.

Product to be available in kitchen or bathroom versions, and provide a minimum of 2500mm² EA (Equivalent Area) to comply with background ventilation requirements. Fan to provide 15 litres per second for bathroom, or 60 litres per second for kitchen models (over 1200mm long). Kitchen model to feature a secondary 30 litres per second speed. All dependent on exact product model.

Power consumption to be: 230V AC for standard versions; 12V Bathroom 5W @ 15 l/s (540mm length with integral PSU); 24V Kitchen 38W @ 60 l/s (1200mm length with integral PSU)

Humidistat option available. Remote SELV power supply unit option available. Cord operation for the extract fan function, power light indicator, removable facia for approved maintenance purposes and be capable of being supplied in one colour internally and another externally.

The product is made to measure and to be fitted on top of the window head to suit 60mm (+/- 2mm) or 70mm (+/- 2mm) window sections. Other sizes to be available on request.

Product to be fitted in accordance with manufacturer's instructions.

Product to be CE certified (documentation available) and to be supplied with advisory labels.

Product shall be IP24 rated.

Product shall be supplied with a two year guarantee. Available from Titon Hardware Ltd.

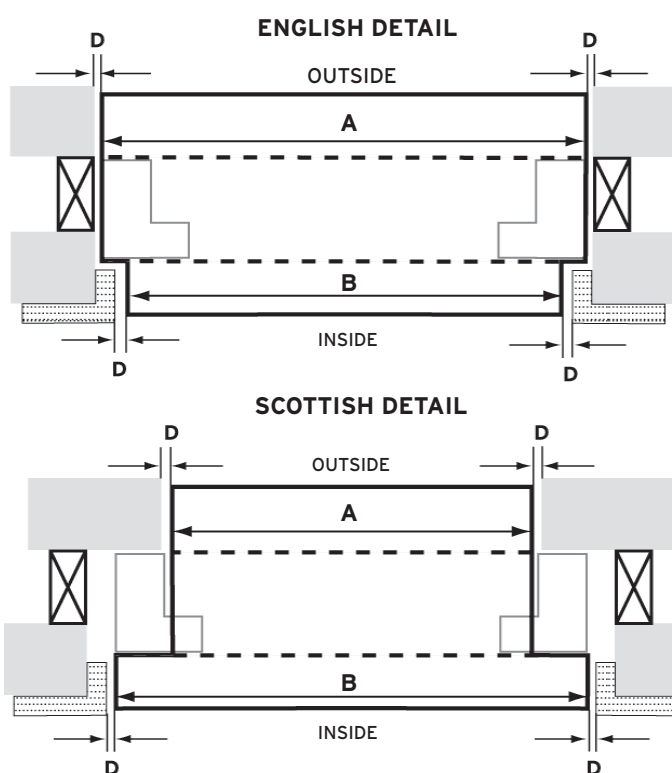
VENT-TREX®

Over-head extract/background ventilator

Pricing/ordering measuring guide (side 1)

NOTES:

- 1) VENT-TREX can be supplied for a 'parallel' (typically English) or a 'check' (typically Scottish) reveal, please refer to diagrams below.
- 2) These are intended only as general illustrations. Specific installation details may vary and should always be checked on site prior to order.
- 3) Allow for uneven reveals and check dimensions at more than one point.
- 4) Allow for power cable if required to exit from end of unit.
- 5) Round A & B measurements down to nearest 5mm increment i.e. 973mm will be 970mm after tolerance.



Please confirm dimensions.

See Notes 1 to 5, then enter A, B and F dimensions on sheet overleaf

A = Width of Canopy

B = Overall width of fan unit

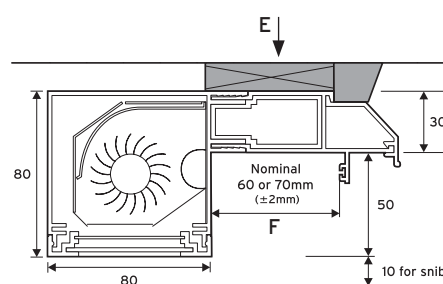
D = Allow for fitting tolerance (may be uneven)

E = Allow for thickness of internal soffit finishes

F = Window head width

IMPORTANT:

Ensure sufficient clearance allowance. Titon cannot be held responsible if this does not occur.



Open In windows - fan box will cover top 60mm (50mm + 10mm for Operating Snib) of window frame head, therefore packing at frame head may be required.

Minimum Lengths

Important: The lengths detailed below are absolute minimums. Please be aware that airflow through a Vent-Trex ventilator is reduced when the unit is below standard length. When specifying lengths, round down to the nearest 5mm. e.g. 933mm will be 930mm. Please contact Titon if you require any further information.

Kitchen Fan With Integral PSU	B Dim	Fan Rotor Length
Standard Fan	930mm	300mm + 300mm rotors
Reduced Fan (1st option)	820mm	300mm + 200mm rotors
Reduced Fan (2nd option)	610mm	300mm rotor
Kitchen Fan With Remote PSU		
Standard Fan	770mm	300mm + 300mm rotors
Reduced Fan (1st Option)	660mm	300mm + 200mm rotors
Reduced Fan (2nd Option)	450mm	300mm rotor
<i>* Please note: airflow is reduced at lengths less than 1200mm on kitchen version</i>		
Bathroom Fan With Integral PSU		
Standard Fan	540mm	300mm rotor
Reduced Fan	440mm	200mm rotor - reduced airflow
Bathroom Fan With Remote PSU		
Standard Fan	410mm	300mm rotor
Reduced Fan	300mm	200mm rotor - reduced airflow

VENT-TREX®

Over-head extract/background ventilator

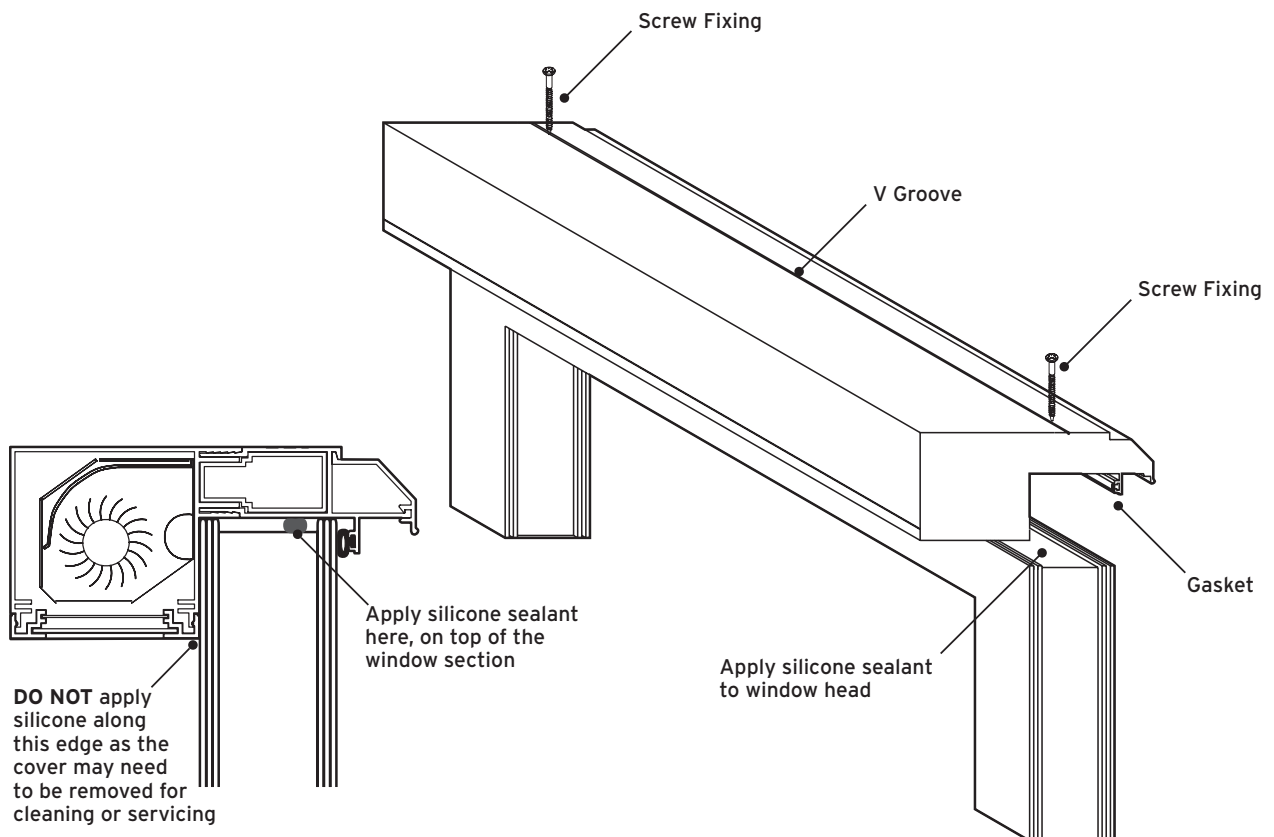
Fitting & assembly instructions

1. Before applying the VENT-TREX unit to the window head, it is recommended VENT-TREX unit and host window are measured to ensure correct fit to structural opening without obstruction.
2. Apply silicone sealant (such as non-acidic low modulus silicone rubber to BS 5889: 1989) to top of window head section towards outside edge.
3. Fit VENT-TREX unit to window head ensuring gasket makes good contact.
4. Pre drill screw fixing holes along V groove located on overhead section. For units up to 900mm two 4.5mm Ø pan head screw fixings are recommended as close to ends as practicable (without interfering with window joints). For units over 900mm additional intermediate fixings are recommended at approx 700mm maximum hole centres.
Do not over tighten fixing screws.
5. Fit window complete with VENT-TREX into opening. Ensure electrical flex is not hindered.
6. Point gap between VENT-TREX and surrounding substrate externally to provide weatherseal using silicone sealant (such as non-acidic low modulus silicone rubber to BS 5889: 1989).

Cut pull cord to suitable length for operation.

Sealant is not necessary along edge of VENT-TREX adjacent to window profile. (See Diagram Below)

Contact the Titon Technical Department on 01206 713800 if you encounter any problems whilst fitting.



Gas Safety Warning

Open flue gas appliances - Care should be taken to ensure extract fan does not cause spillage of flue gases. We recommend consultation with a qualified and CORGI registered engineer prior to fitting.

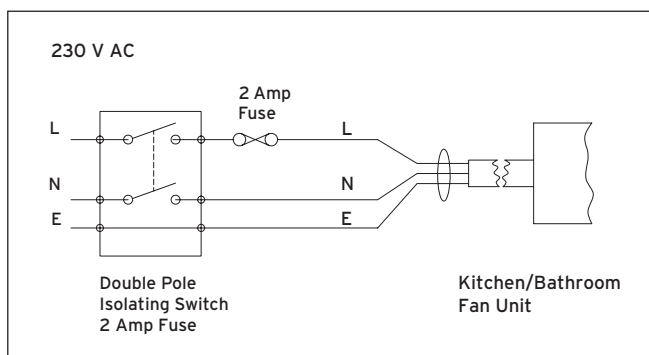
VENT-TREX®

Over-head extract/background ventilator

Fitting & assembly instructions

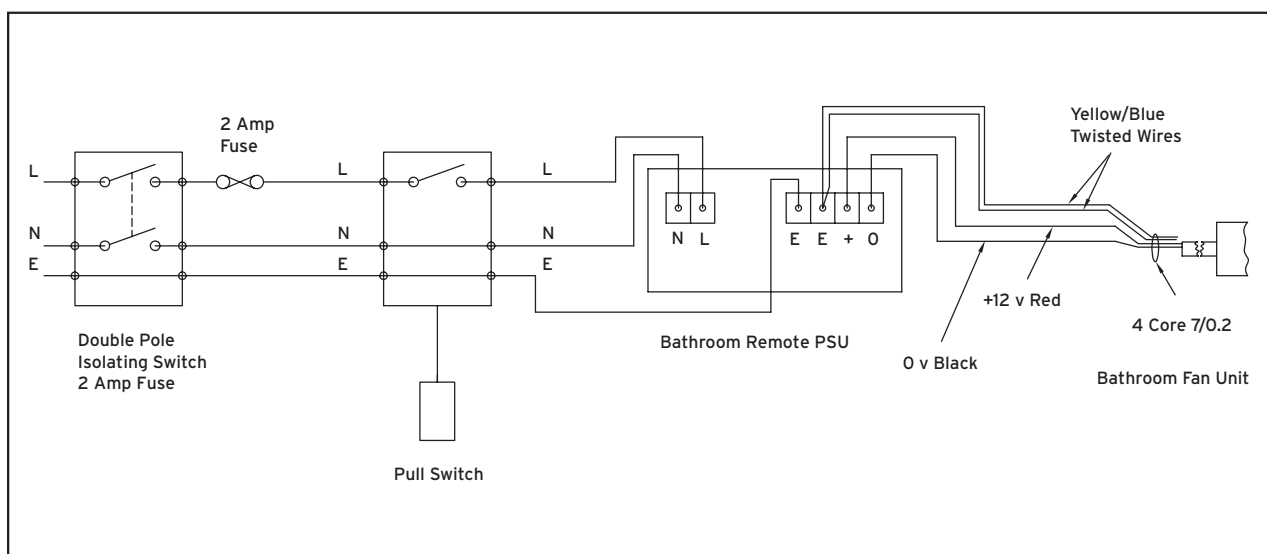
Connection to the Electrical Supply:

- All wiring must comply with current edition of IEE Wiring Regulations (BS 7671) and be carried out by a suitably qualified person.
- Always isolate electrical supply prior to carrying out any work on a VENT-TREX unit.
- All VENT-TREX units are supplied complete with flex ready to connect to an appropriate electrical supply point.



Remote PSU Option:

Where a VENT-TREX is to be fitted with remote PSU (power supply unit), it requires a double patress back box with minimum depth of 40mm.

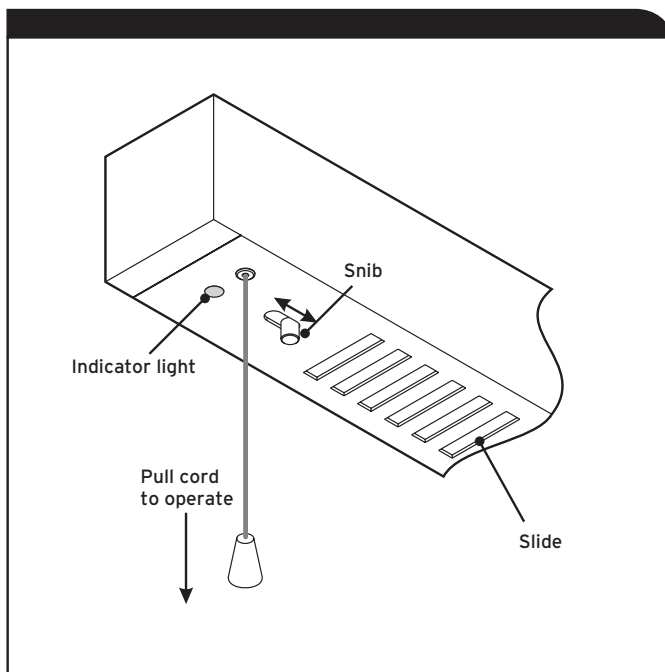


VENT-TREX®

Over-head extract/background ventilator

Operation & maintenance

Kitchen Version - Two Speed Fan (K & VSK)



Instructions

Operation:

The unit can be used in two ways, as an extractor fan or a trickle ventilator. For trickle ventilator facility use snib to open slide. This allows air to move naturally between inside and outside of window.

Kitchen Extract Fan: (Two speed fan)

1. Use snib to open slide and pull cord to turn fan on, the indicator light will come on.
2. Fan will run at high speed for approx 7 minutes, then automatically reduce to low speed.
3. Pull cord twice quickly to switch fan speed from low to high (7 minute high speed run still applies) or from high to low.
4. Pull cord once to turn fan off and indicator light will go out.

Maintenance:

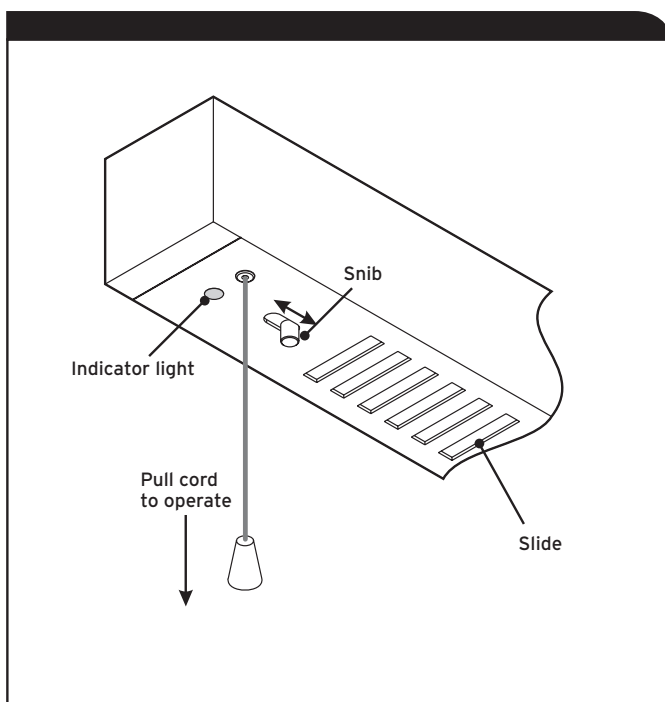
WARNING - ISOLATE VENT-TREX FROM ELECTRICITY SUPPLY BEFORE CLEANING!

The units are designed to be maintenance free under normal use. External faces to be cleaned using a damp cloth and mild domestic detergent. Stains not removable with soapy water may be removable using domestic non-abrasive cleaner. Do not use to excess as they may affect finish.

BM 573 Iss 03

© 2006

Kitchen Version - Two Speed Fan with Humidistat (HK)



Instructions

Operation:

The unit can be used in two ways, as an extractor fan or a trickle ventilator. For trickle ventilator facility use snib to open slide. This allows air to move naturally between inside and outside of window.

Kitchen Extract Fan: (Two speed fan with humidistat)

1. Use snib to open slide and pull cord to turn fan on, the indicator light will come on.
2. Fan will run at high speed for approx 7 minutes, then automatically reduce to low speed and run until humidity drops to the humidistat determined level.
3. Fan will re-start automatically at low speed should the humidity exceed the determined level.
4. To start fan running regardless of humidity, for example to extract smells, pull cord twice quickly.
5. Pull cord twice quickly to switch fan speed from low to high (7 minute high speed run still applies) or high to low.
6. To turn fan off pull cord once and indicator light will go out.

Maintenance:

WARNING - ISOLATE VENT-TREX FROM ELECTRICITY SUPPLY BEFORE CLEANING!

The units are designed to be maintenance free under normal use. External faces to be cleaned using a damp cloth and mild domestic detergent. Stains not removable with soapy water may be removable using domestic non-abrasive cleaner. Do not use to excess as they may affect finish.

BM 572 Iss 04

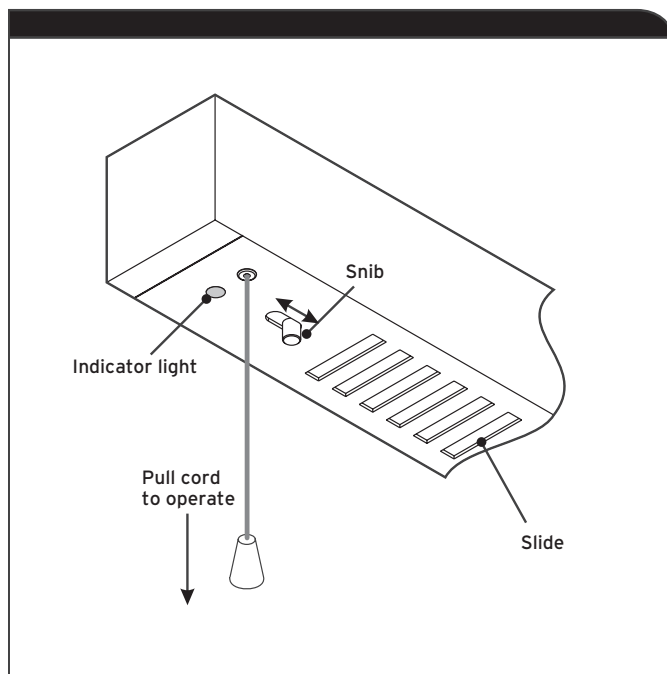
© 2006

VENT-TREX®

Over-head extract/background ventilator

Operation & maintenance

Bathroom Version - Single Speed Fan (B)



Instructions

Operation:

The unit can be used in two ways, as an extractor fan or a trickle ventilator. For trickle ventilator facility use snib to open slide. This allows air to move naturally between inside and outside of window.

Bathroom Extract Fan: (Single speed fan)

1. Use snib to open slide and pull cord to turn fan on, the indicator light will come on.
2. Pull cord once to turn fan off and indicator light will go out.

Maintenance:

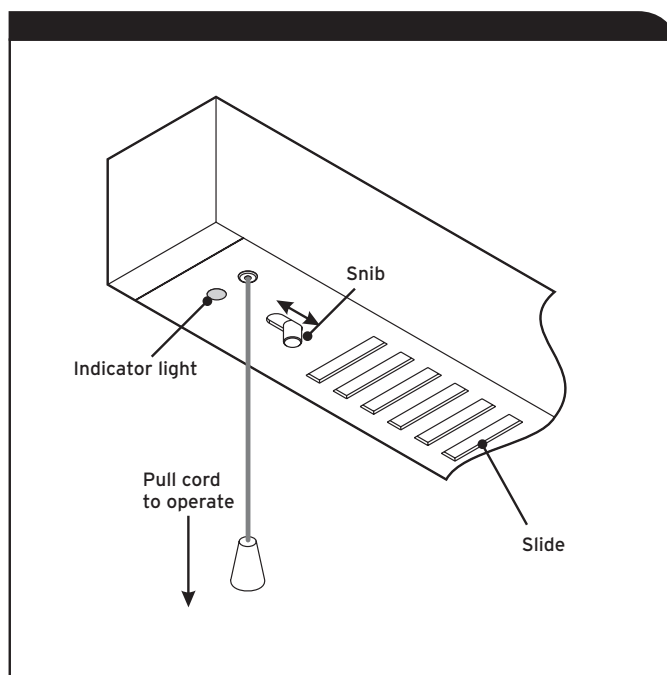
WARNING - ISOLATE VENT-TREX FROM ELECTRICITY SUPPLY BEFORE CLEANING!

The units are designed to be maintenance free under normal use. External faces to be cleaned using a damp cloth and mild domestic detergent. Stains not removable with soapy water may be removable using domestic non-abrasive cleaner. Do not use to excess as they may affect finish.

BM 575 Iss 03

© 2006

Bathroom Version - Single Speed Fan with Humidistat (HB)



Instructions

Operation:

The unit can be used in two ways, as an extractor fan or a trickle ventilator. For trickle ventilator facility use snib to open slide. This allows air to move naturally between inside and outside of window.

Bathroom Extract Fan: (Single speed fan with humidistat)

1. Use snib to open slide and pull cord to turn fan on, the indicator light will come on.
2. Fan will run until humidity drops to the humidistat determined level then automatically stop.
3. Fan will re-start automatically should the humidity exceed determined level.
4. To start fan running regardless of humidity, for example to extract smells, pull cord twice quickly.
5. To turn fan off pull cord once and indicator light will go out.

Maintenance:

WARNING - ISOLATE VENT-TREX FROM ELECTRICITY SUPPLY BEFORE CLEANING!

The units are designed to be maintenance free under normal use. External faces to be cleaned using a damp cloth and mild domestic detergent. Stains not removable with soapy water may be removable using domestic non-abrasive cleaner. Do not use to excess as they may affect finish.

BM 574 Iss 04

© 2006



Fitting solutions

For over thirty years Titon has been committed to providing the window industry with the finest quality window fittings. Whether the window is open or shut, Titon products help to ensure a good quality of indoor air, high quality, efficient ergonomics, exemplary performance for the end user, and an unequalled product portfolio.



MARKETING DIVISION

International House, Peartree Road, Stanway, Colchester, Essex CO3 0JL

Tel: +44 (0)1206 713800 Fax: +44 (0)1206 543126

Email: enquiries@titon.co.uk Web: www.titon.com