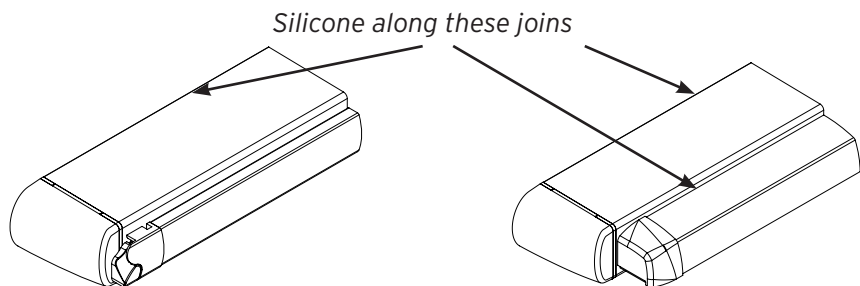


SF Xtra Sound Attenuator Vent Unit

SF Xtra Sound Attenuator Canopy Unit



Please note the Vent Units or the Canopy Units can be fitted in conjunction with the corresponding standard SF Xtra Vent or SF Canopy, depending on performance requirements. Please refer to separate Fixing Instructions for those products.

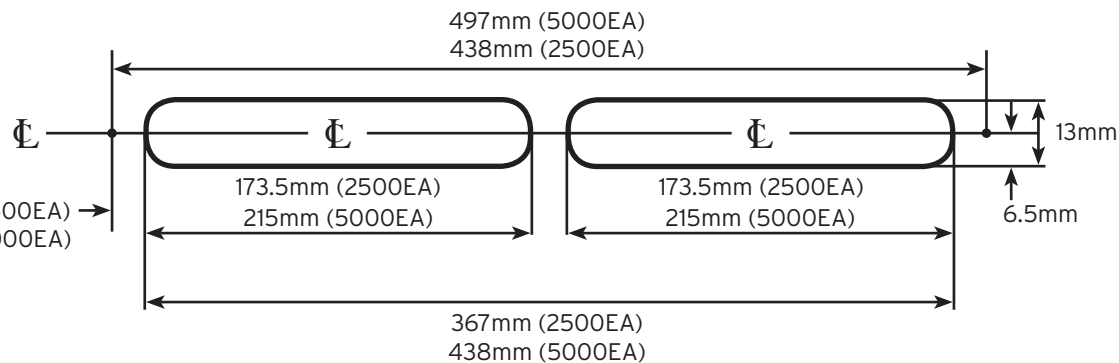
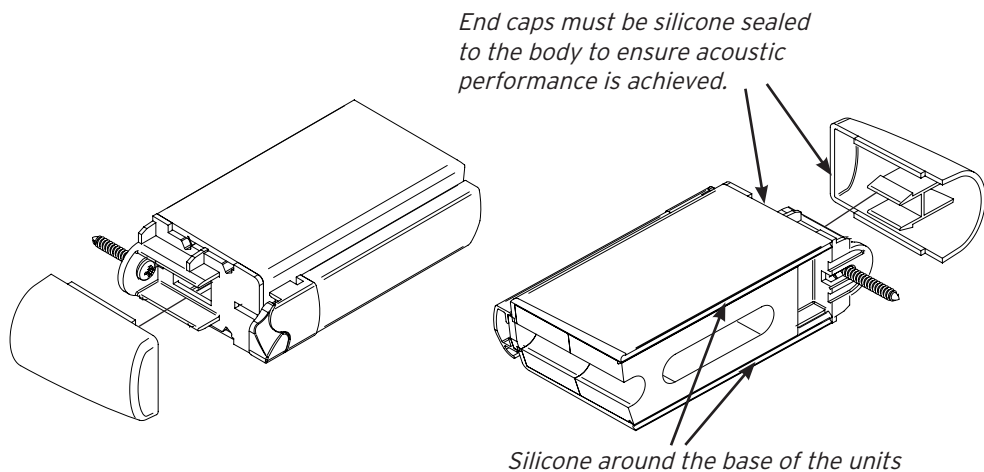
- 1) Prepare slots accurately and pre-drill fixing holes. Avoid glazing rebates and reinforcement.
- 2) Use silicone sealant around the base of the Canopy and Vent Unit, along top edge of Canopy itself.
- 3) Fix Vent Unit and Canopy Unit to window or door profile using screws. **DO NOT OVER TIGHTEN SCREWS!** Ensure a secure fixing. When fitting to PVCu, screws should go through at least two section walls or into reinforcement. Vent unit designed to be fitted so hinge edge of vent is along the lower face of product.
- 4) Attach screw covers, use care when doing so as covers are not designed to be removed easily.

**Recommended screws:**

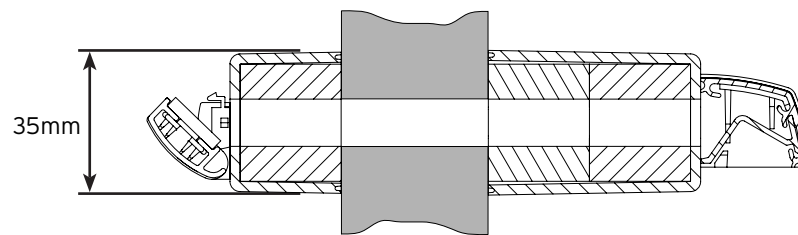
Vent Unit and Canopy Unit - 4mm (No.8) Round Head or equivalent

**Operation:**

Open Vent at either end by levering open under end cap along flap. Close Vent by pressing vent at both ends until both 'click' shut.



Units should be fitted centre over slot (top to bottom and left to right)



*Illustrations show 2500EA version*