

Alliance Cam Catch

Cam Catch

For use on PVCu or timber windows

Alliance is a security cam catch capable of achieving BS7950 (dependent on window design), with a front facing lock. Alliance is suitable for all vertical sliding

windows made from PVCu or timber and has various flat and cast keep designs suitable for all profiles. Available in a variety of plated or painted finishes.



Alliance with Cast Keep

Features and Benefits

- Locking or non locking versions
- Front facing lock
- Spring loaded to ensure sash clearance
- Various keep designs available
- Capable of achieving BS7950 (dependent on window design)
- Interlocking design for increased security
- Available in painted or plated finishes



Flat Keep



Cast Keep



Cam Catch - white paint

Details

Product	Product Code
Alliance Cam Catch - non-locking	TL100DM
Alliance Cam Catch - key locking	TL100
Standard cast keep	TL120
Wide cast keep	TL121
17mm pressed steel keep	TL122
30.5mm pressed steel keep	TL124
38mm pressed steel keep	TL125

Manufactured from

Zinc Alloy to BS EN 1774 ZL3

Recommended screws

4mm (No.8) Countersunk Head or equivalent

Standards

Tested in accordance with DD CEN/TS 13126-14:2004

Finishes

Suffix product code with:

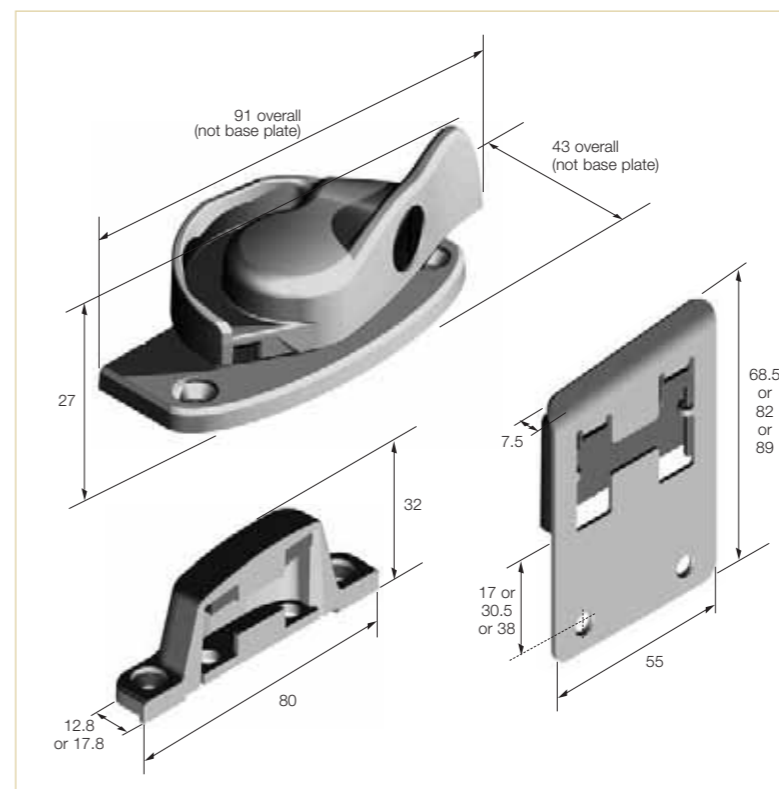
-020 (white paint), -818 (bright nickel), -102 (albralin gold), -023 (brown paint), -825 (satin chrome)

NOTE: Plated finishes are not suitable for use in coastal or highly corrosive environments

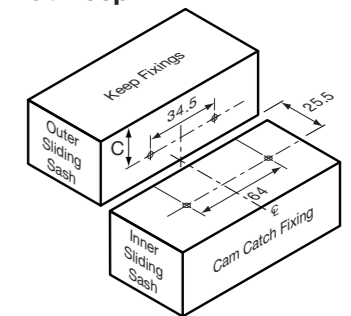
More information

enquiries@titon.co.uk / 01206 713801

Cast Keep	A'	B'	Pressed Metal Keeps	C'
Product			Product	
Standard cast keep	4.5	30	17mm pressed steel keep	17
Wide cast keep	9.5	35	30.5mm pressed steel keep	30.5
			38mm pressed steel keep	38



Flat Keep



Cast Keep

