

# Caldwell Folding Openers

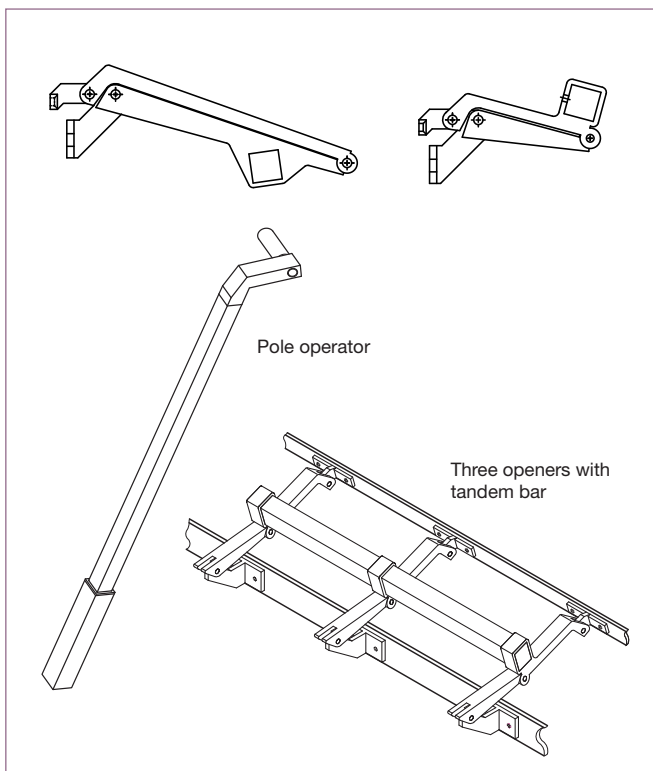
## Openers for top hung windows



Fo Plus design range with tandem bar



Standard opener



### Features and Benefits

- Type '18' for 100mm sash movement (top swing windows)
- Type '110' & '112' for 150mm sash movement
- 'Extended' type for 315mm sash movement
- Suitable for top hung, fully reversible and pivot windows
- Suitable for school, hospital and office applications
- Can be linked in pairs, or threes for wide windows
- Can be operated at high level by using a tandem eye & pole operator

### Tandem bars

- Simple easy to use hand operation
- Should be used on window sashes wider than 800mm

### Pole operators

- Standard length 1400mm, longer or shorter poles available on request
- Supplied with large or small boss depending on style of tandem eye

### Hand operator

- Will fit any folding opener

### Tandem eye adaptor kit

- For use where 263 tandem eye is required on single folding opener
- Kit includes tandem eye, adaptor bar, end cap and fixing screws.

### Tandem eyes

- For use with opener linked by tandem bar with pole operation
- Fitted centrally or immediately to the side of the central folding opener
- 260, 263 used on 110 type folding openers. For use with small boss pole operator
- 262 used on 112 type folding opener. For use with large boss pole operator

### Packers

- Vent bracket packers available to accommodate intermediate step sizes
- Powder coated or anodised finishes

