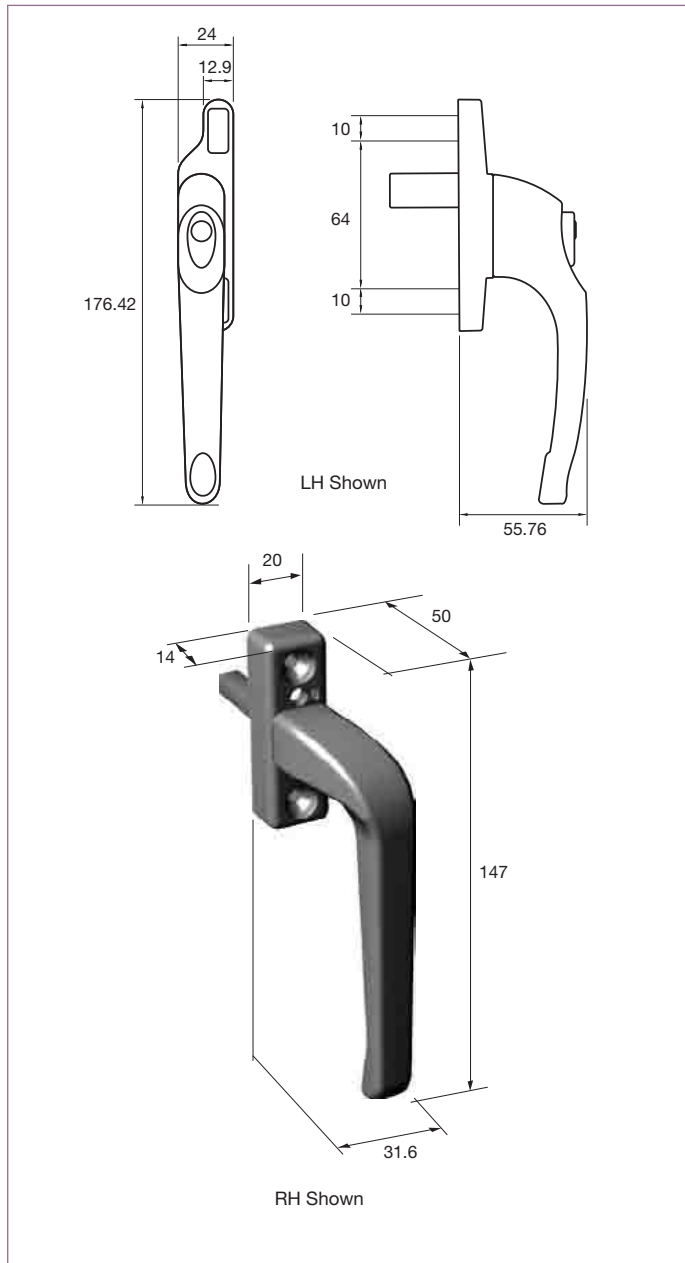


Derwent and Cadenza

Espagnolette handles



Features and Benefits

Locking espagnolette solutions

Cadenza

- Handed, In-line autolock, push to open (PTO) options
- Gearing mechanism self contained within handle
- Slide option lengths: 18, 35 & 48mm, other sizes to order
- Satin chrome and white paint finishes (other finishes available on request)

Derwent

- Handed grip
- Key locking, non locking or fire escape options
- Standard spindle size 30 x 7mm, other sizes available
- Powder coated or anodised plated finishes

