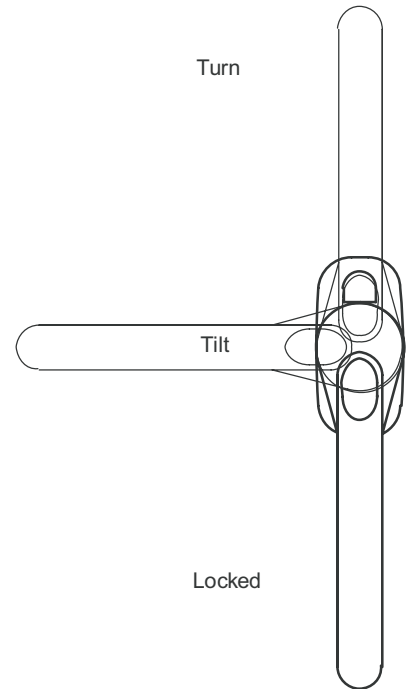
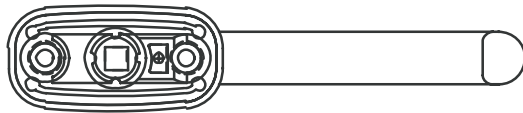
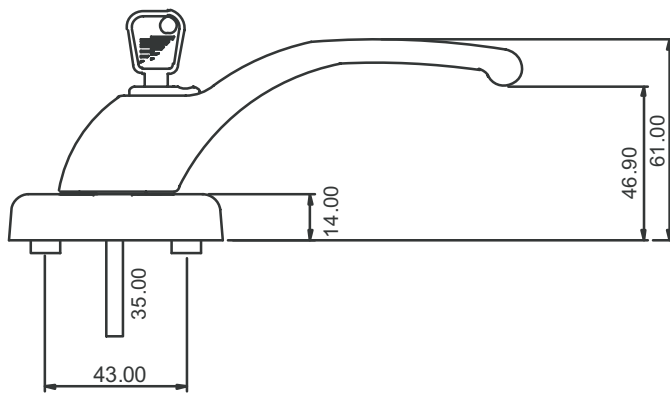
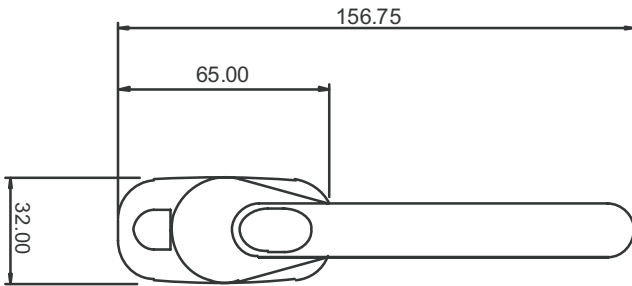
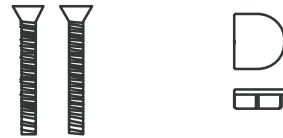


# Tilt & Turn



2 x Screws Provided 2 x Cover Cap Provided



**NOTE :-**

All dimensions shown are in millimeters  
 All handles supplied with a 35mm spindle and screws.  
 Colour co-ordinated screw cover caps.

Part Codes (please specify finish ??)

HANDLE CODE	DESCRIPTION
HCTT35??	Tilt & Turn Handle Locking 35mm Spindle
HCTTNL35??	Tilt & Turn Handle Non Locking 35mm Spindle

Y Example: HCTT35WH - Tilt & Turn Handle Locking 35mm Spindle White